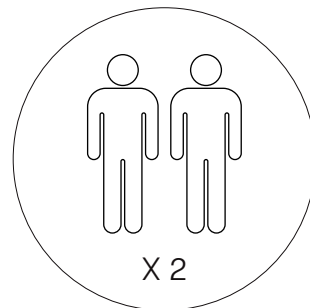
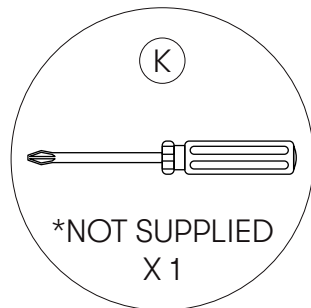
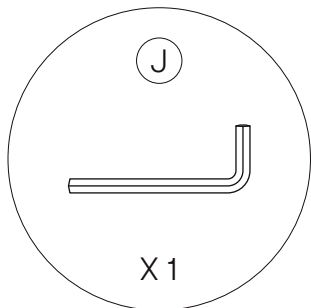
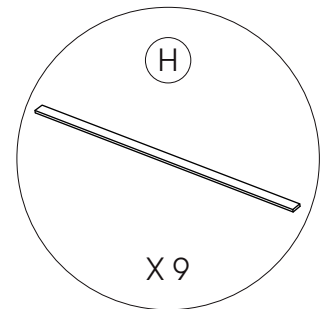
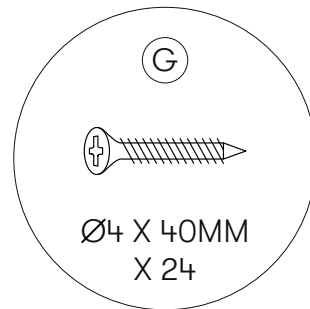
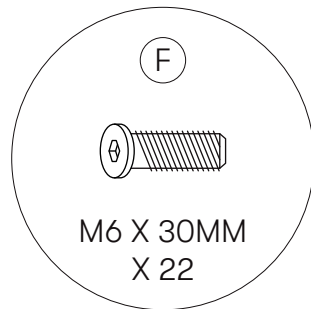
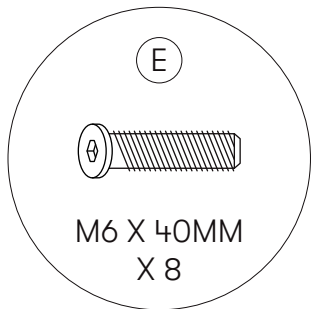
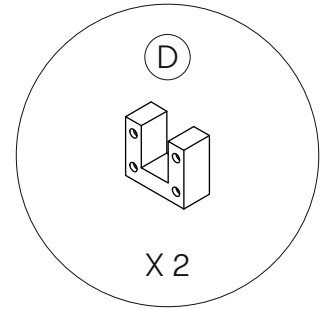
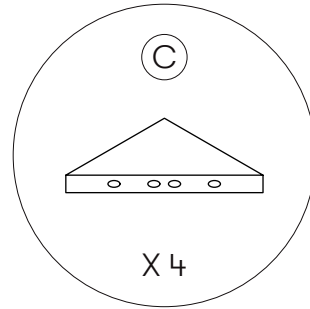
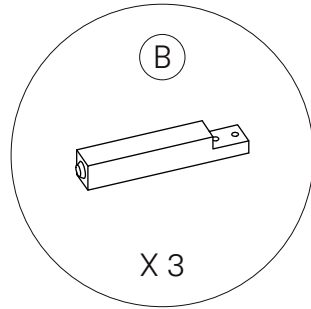
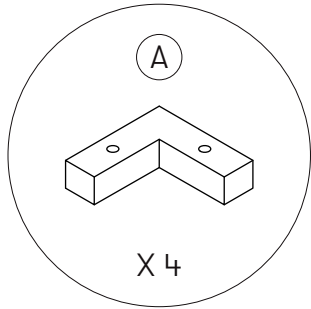
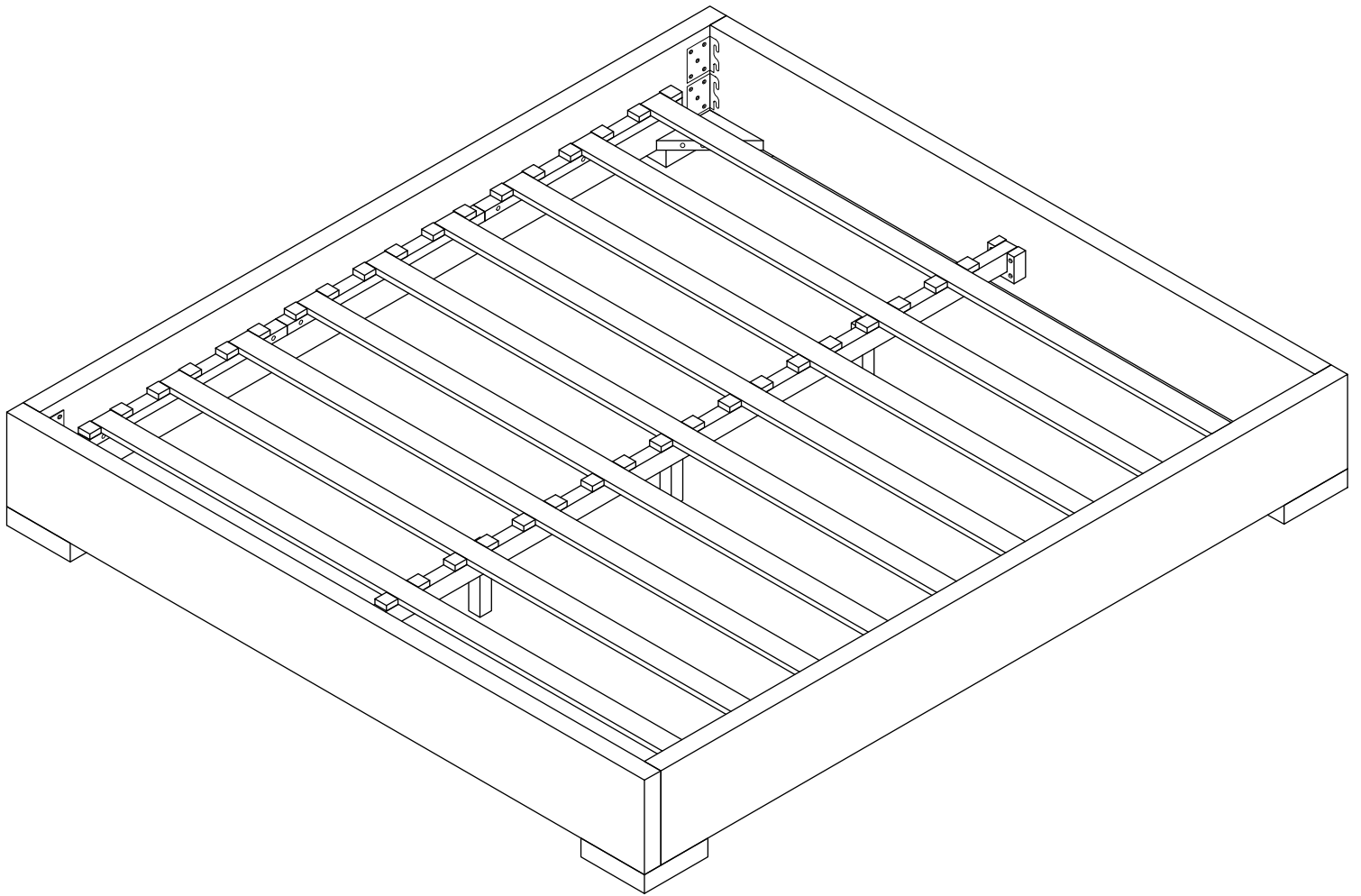
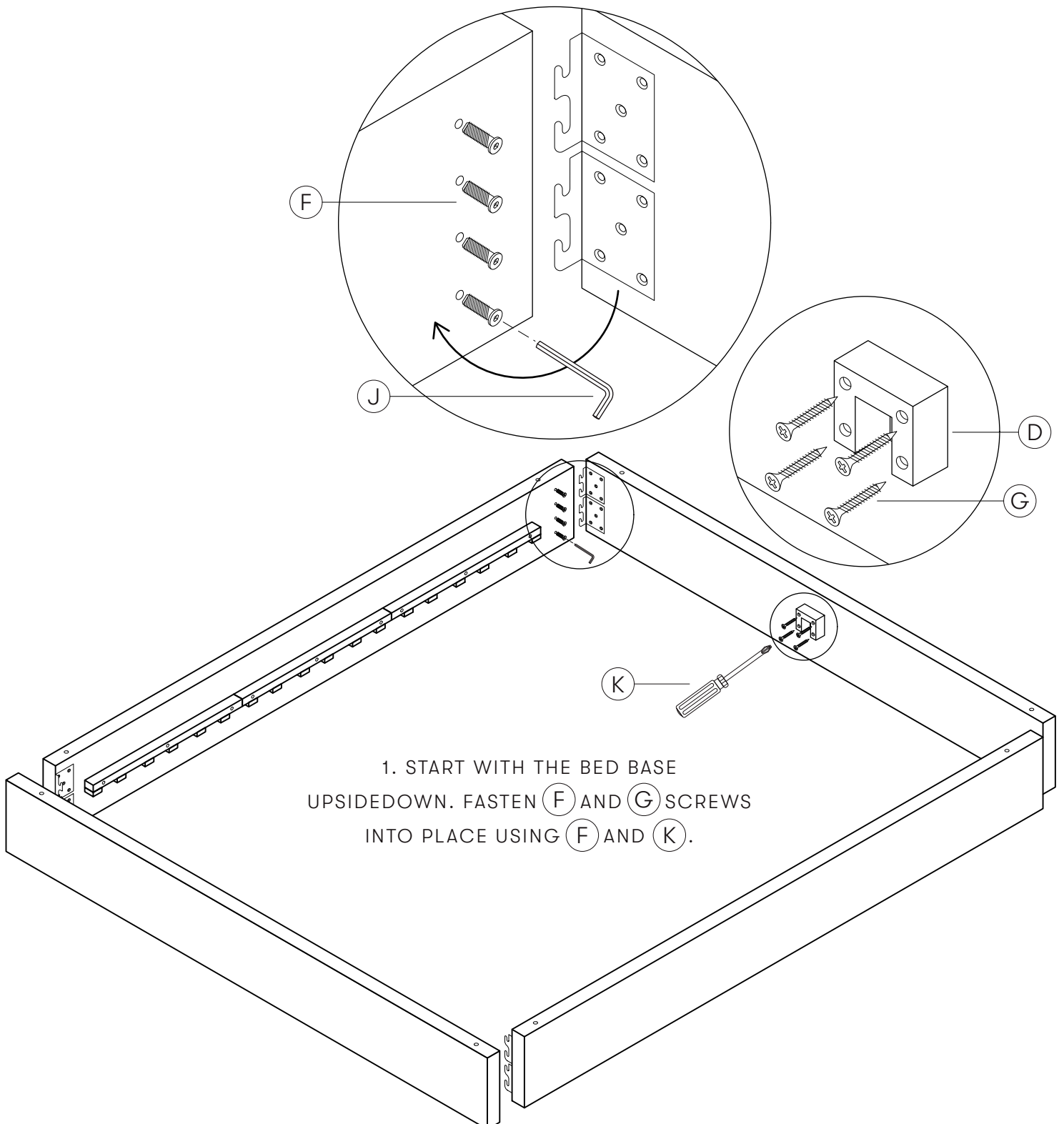
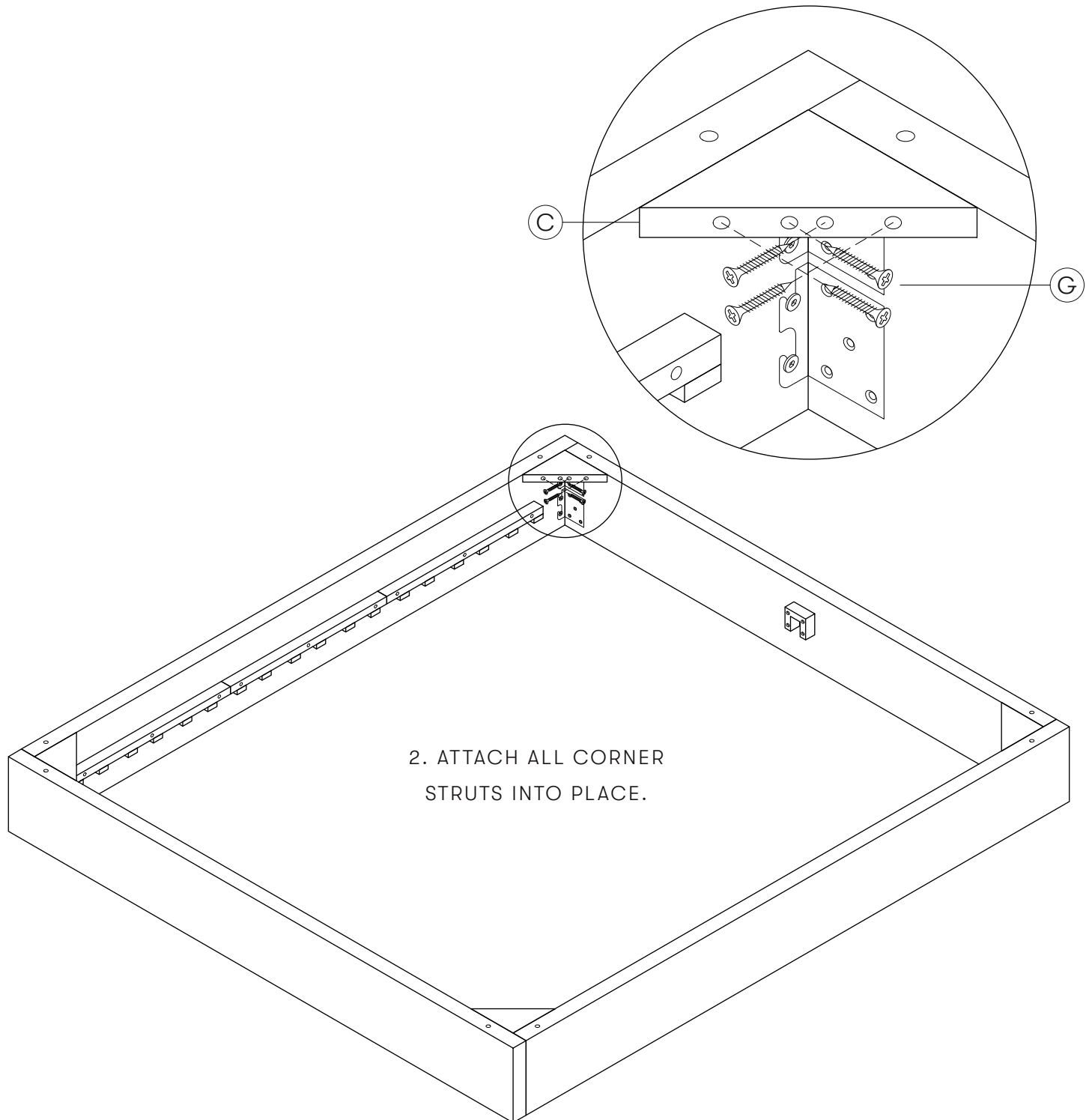


DISCO BED BASE ASSEMBLY INSTRUCTIONS

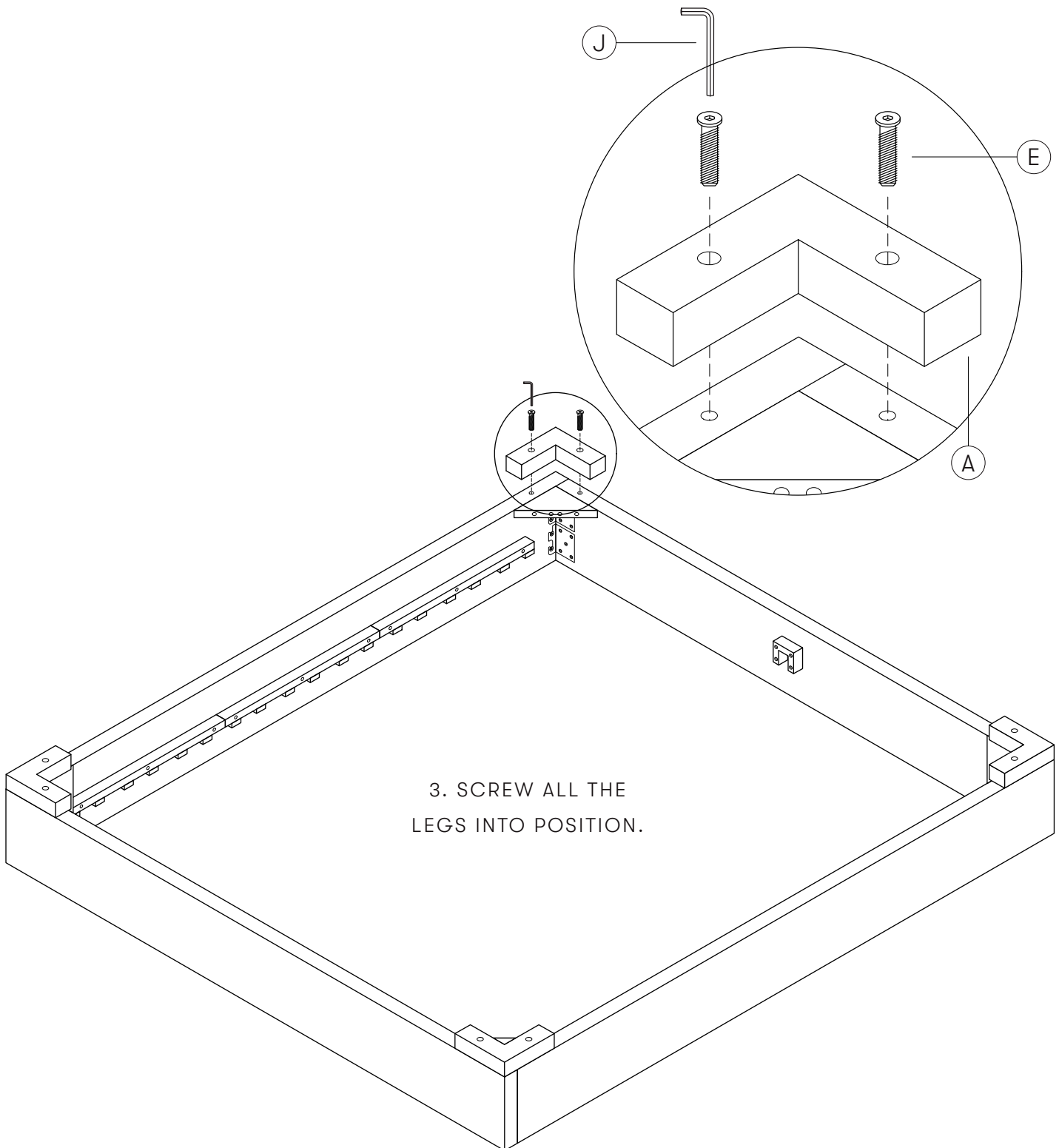






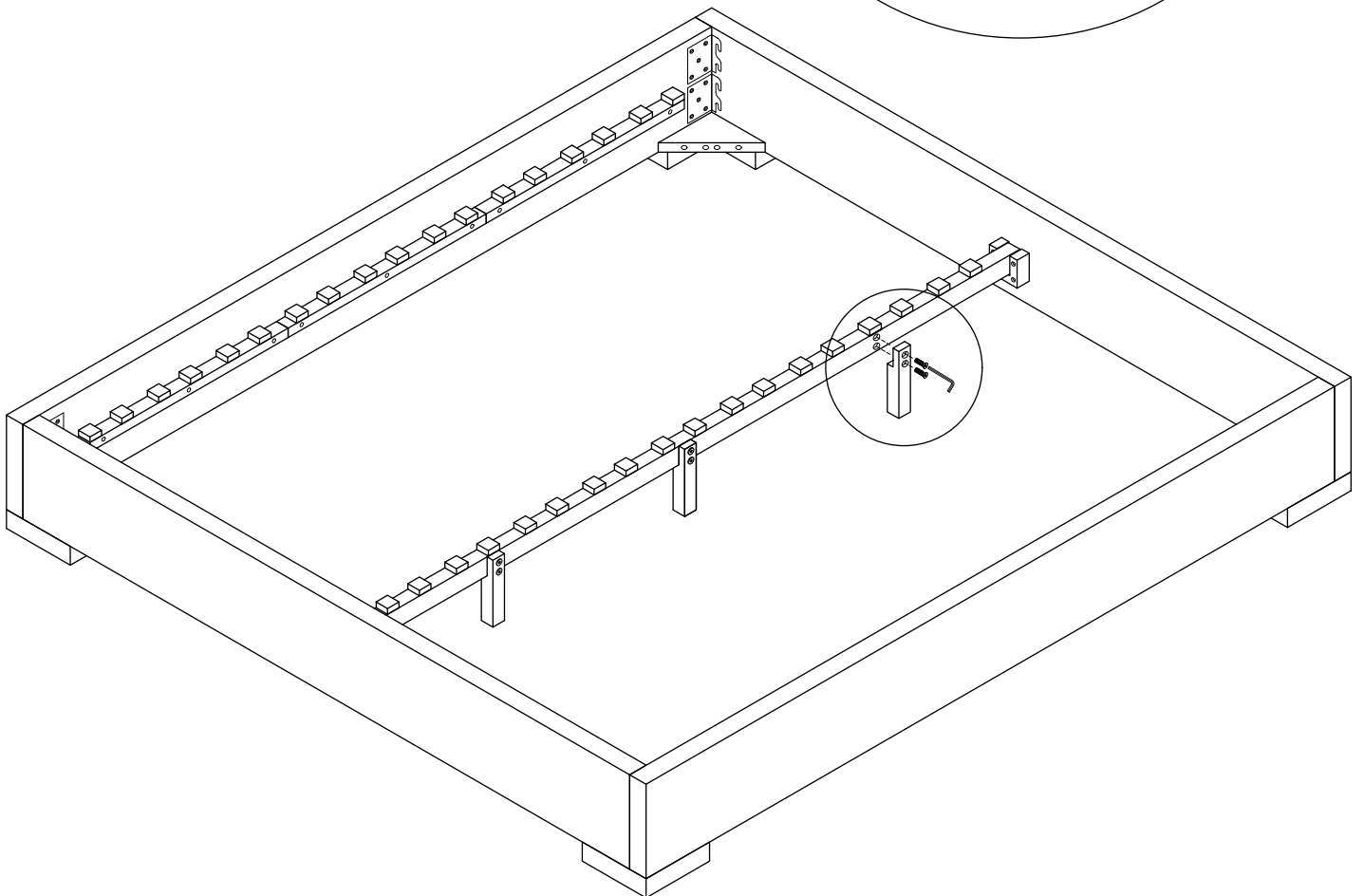
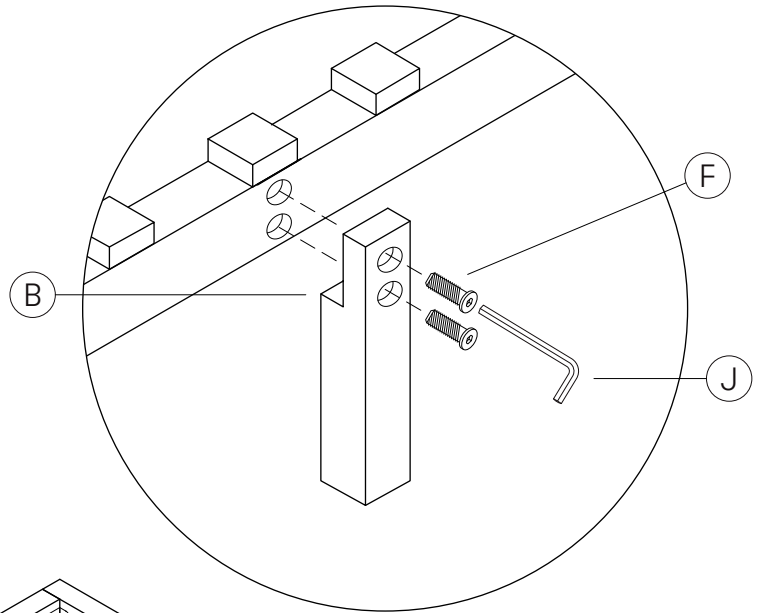


2. ATTACH ALL CORNER
STRUTS INTO PLACE.



3. SCREW ALL THE
LEGS INTO POSITION.

4. FLIP THE BED BASE BACK
INTO ITS UPRIGHT POSITION AND
ATTACH THE LEGS (B).



TA DA!

5. PUT ALL OF THE SLATS INTO PLACE.
PLEASE SEE HEADBOARD INSTRUCTIONS.

