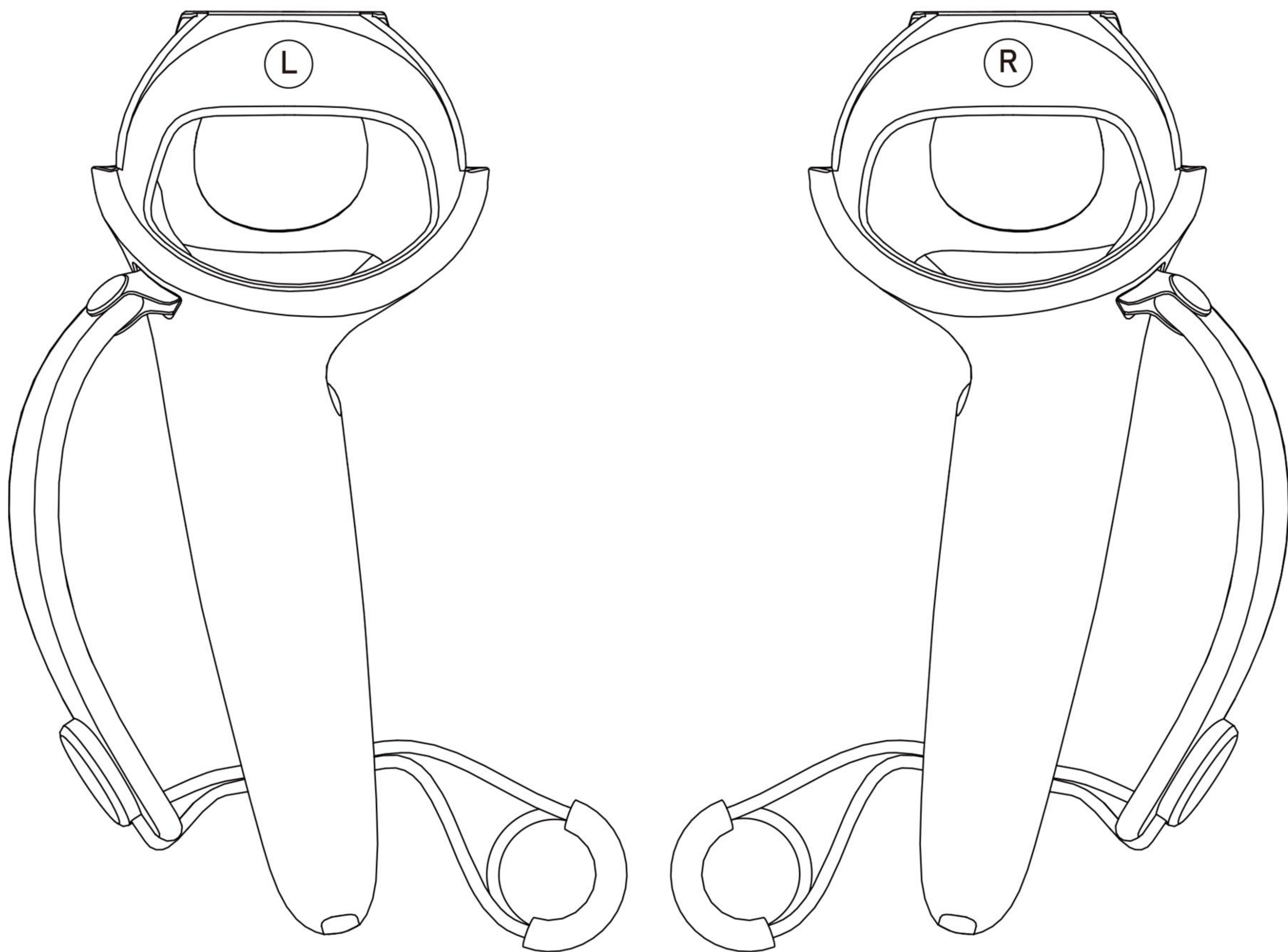
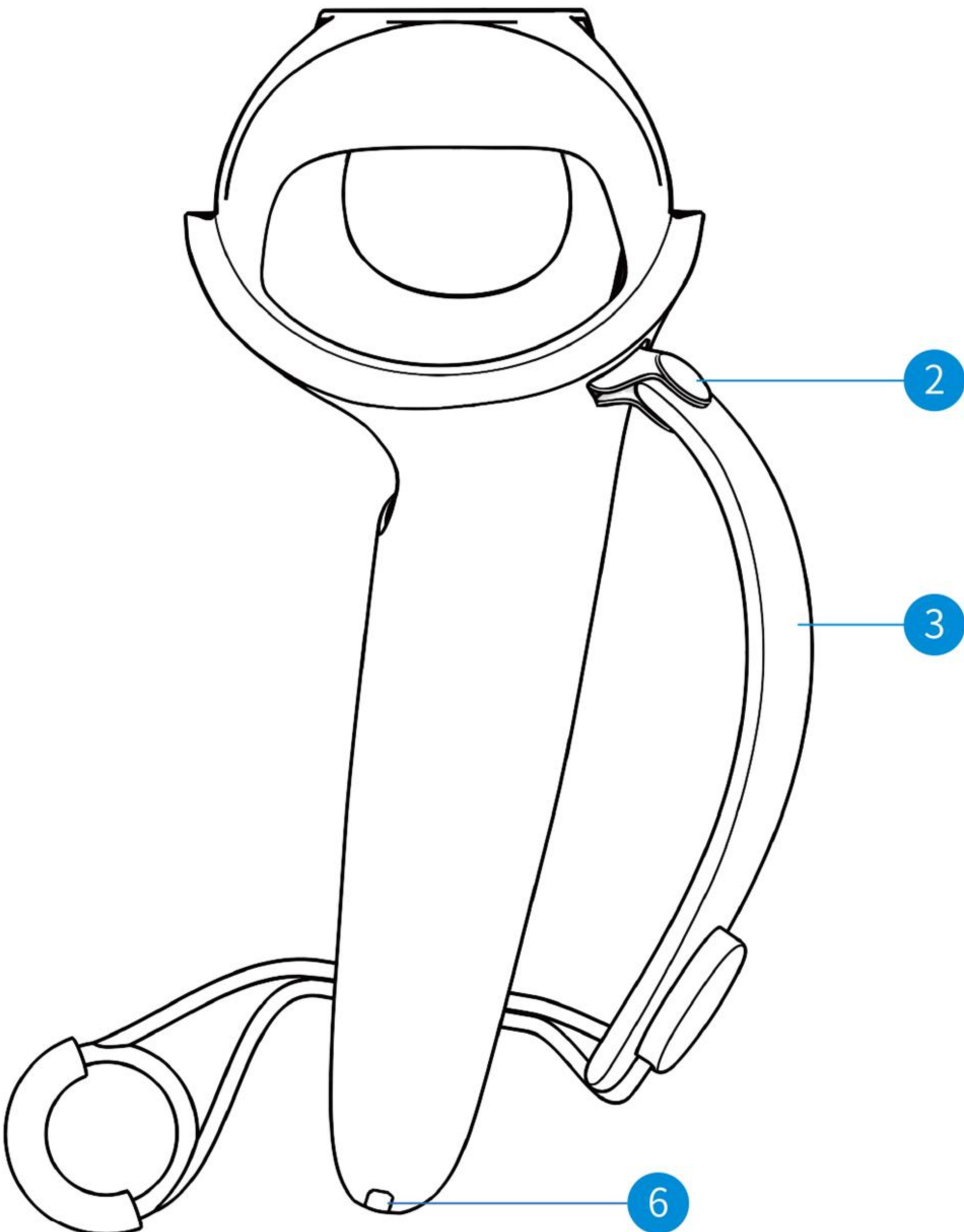


Rechargeable Grip Cover with Battery
for Meta Quest 2
User Manual

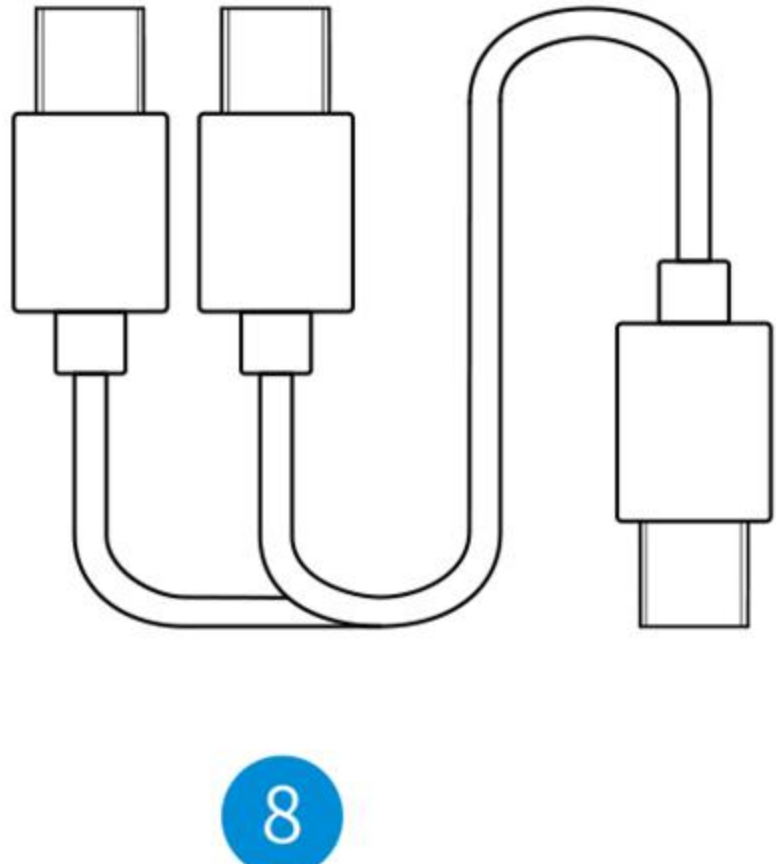
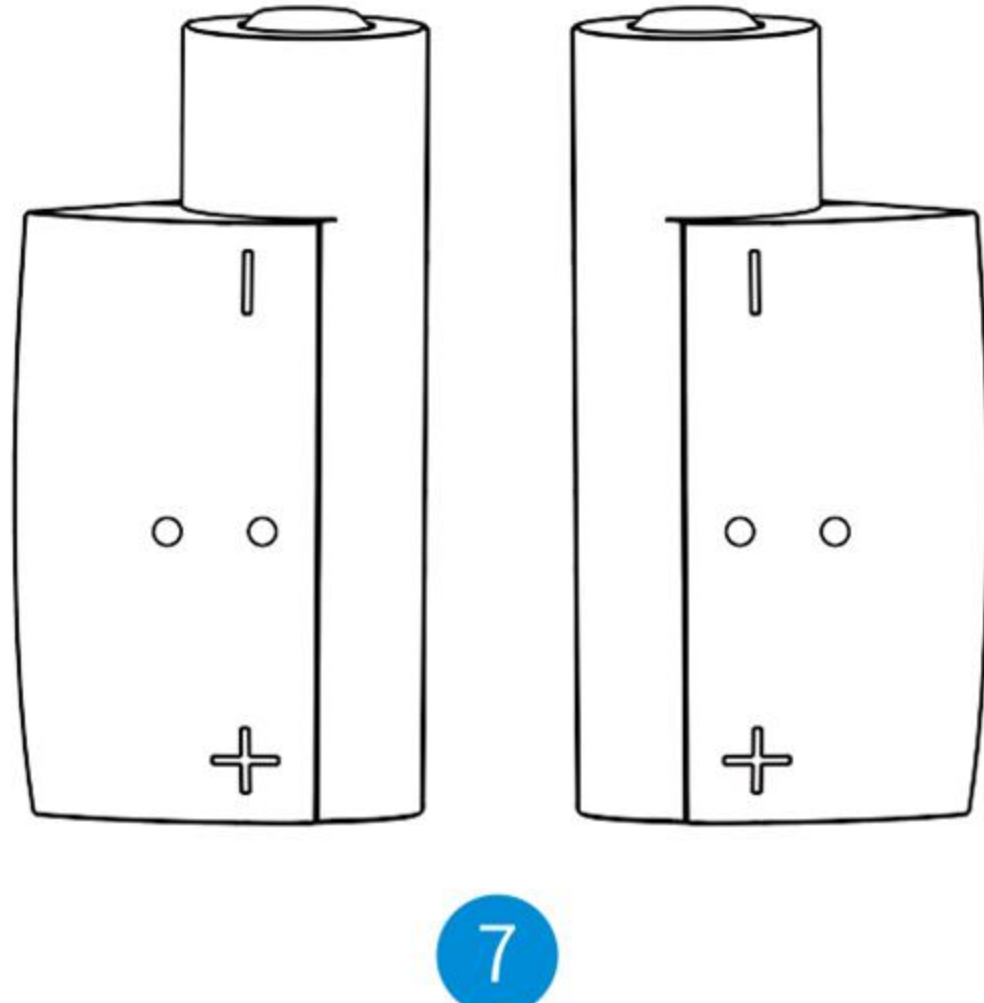
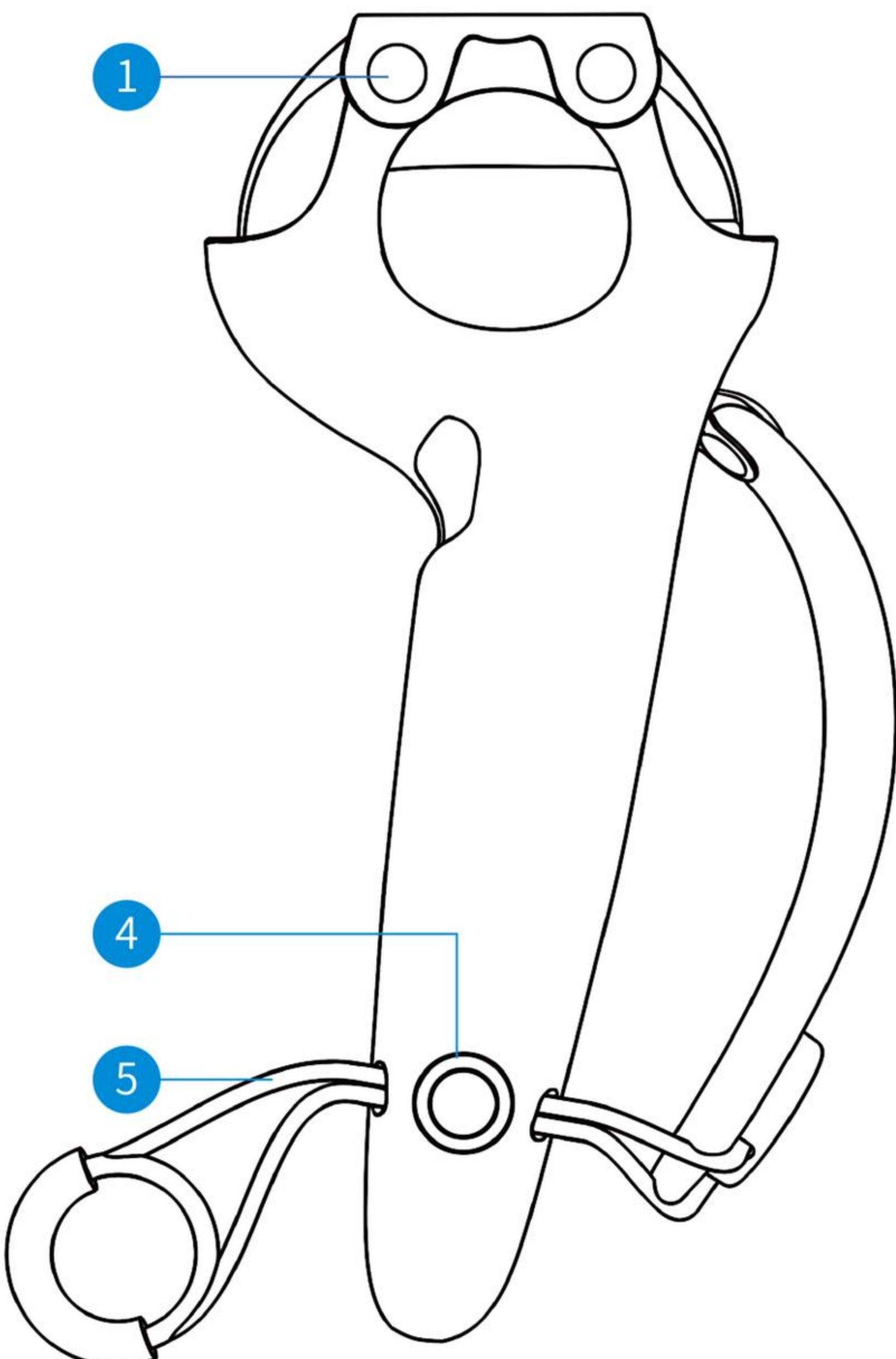


At a Glance

Front View



Back View

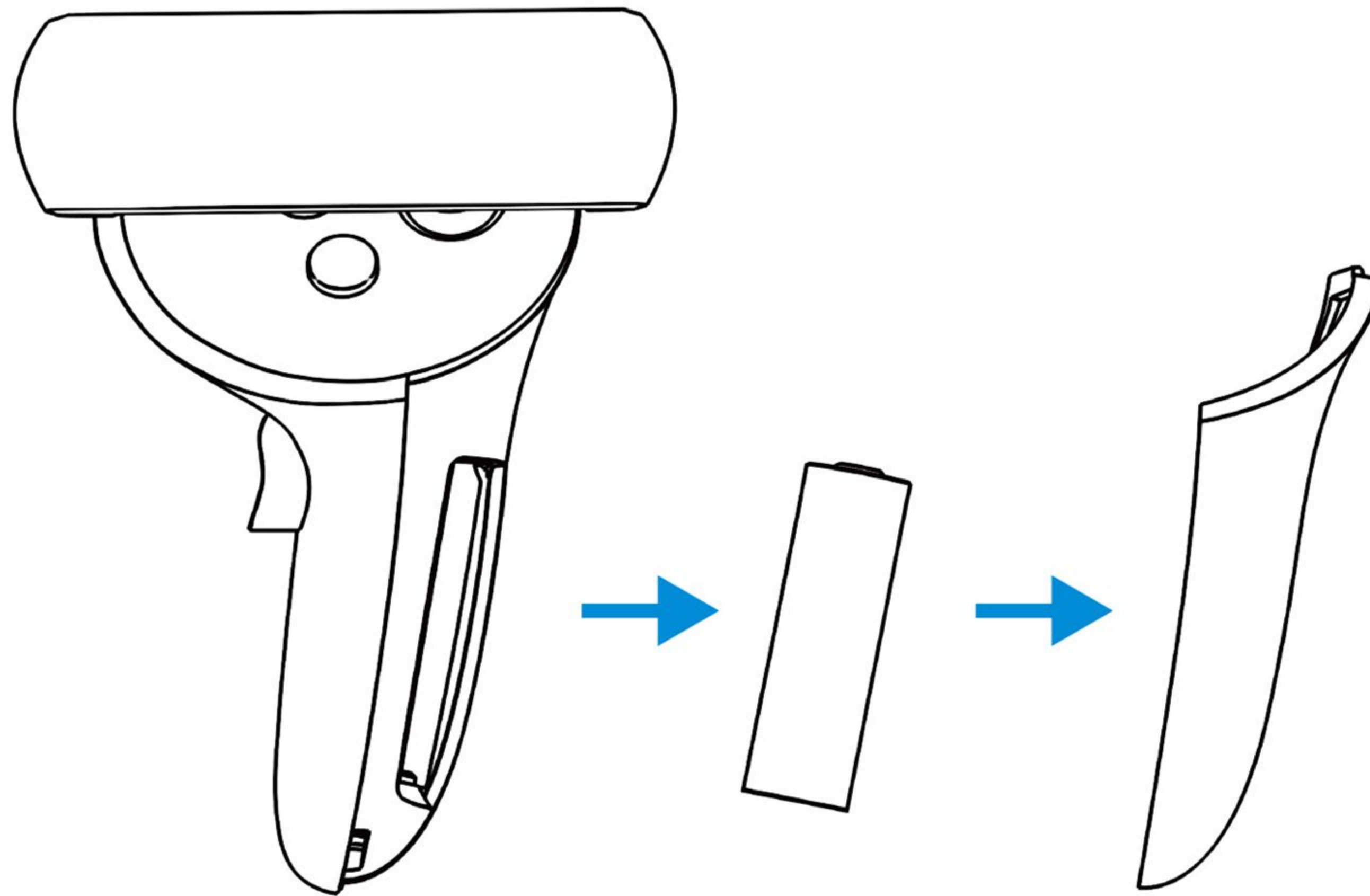


- 1. Securement Clip
- 2. Rotatable Rivet
- 3. Grip Strap
- 4. Cord Adjustment Button

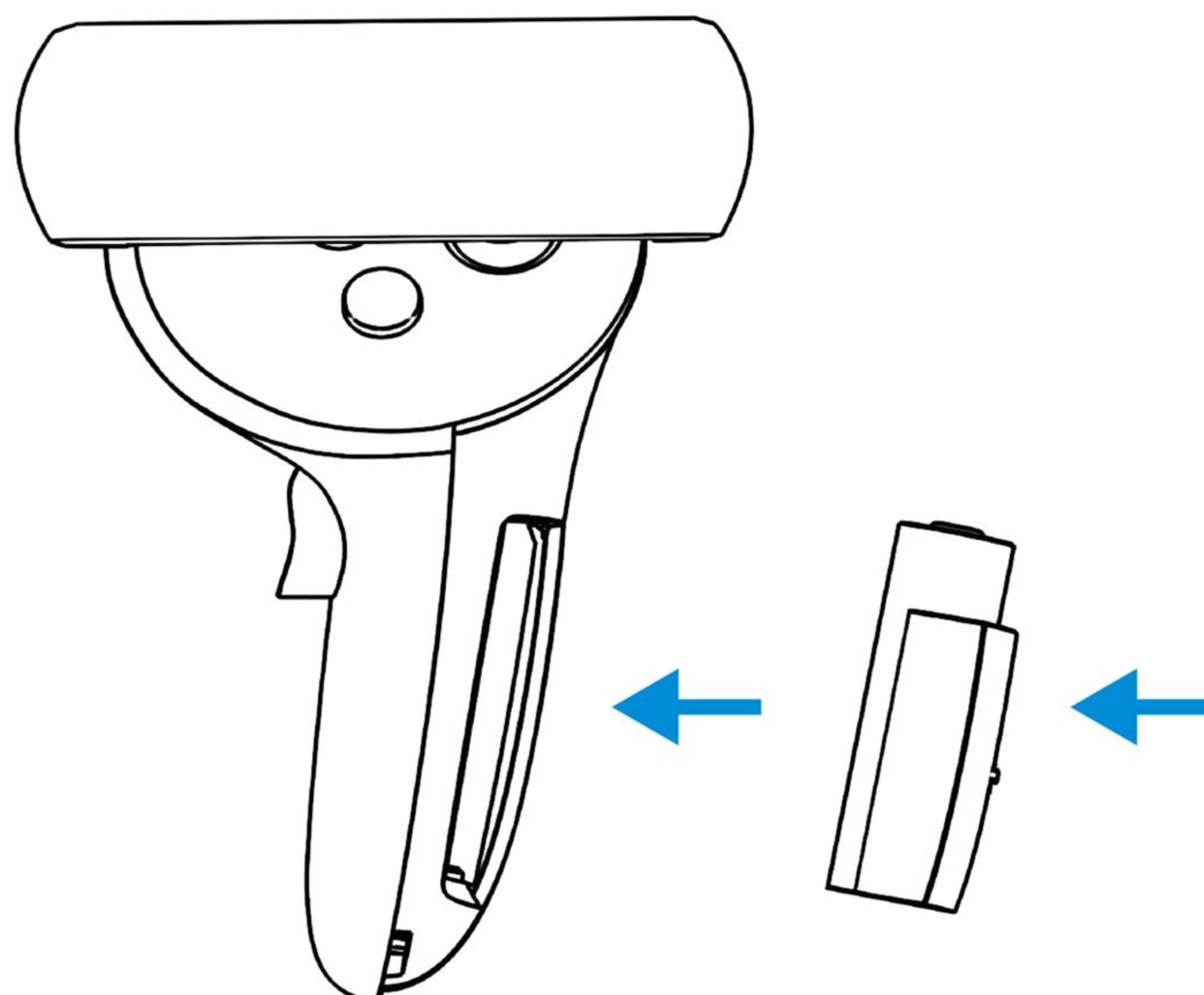
- 5. Adjustable Elastic Cord
- 6. USB-C Input Port
- 7. Custom Rechargeable Batteries
- 8. 3-in-1 USB-C Charging Cable

Using Your Rechargeable Grip Cover

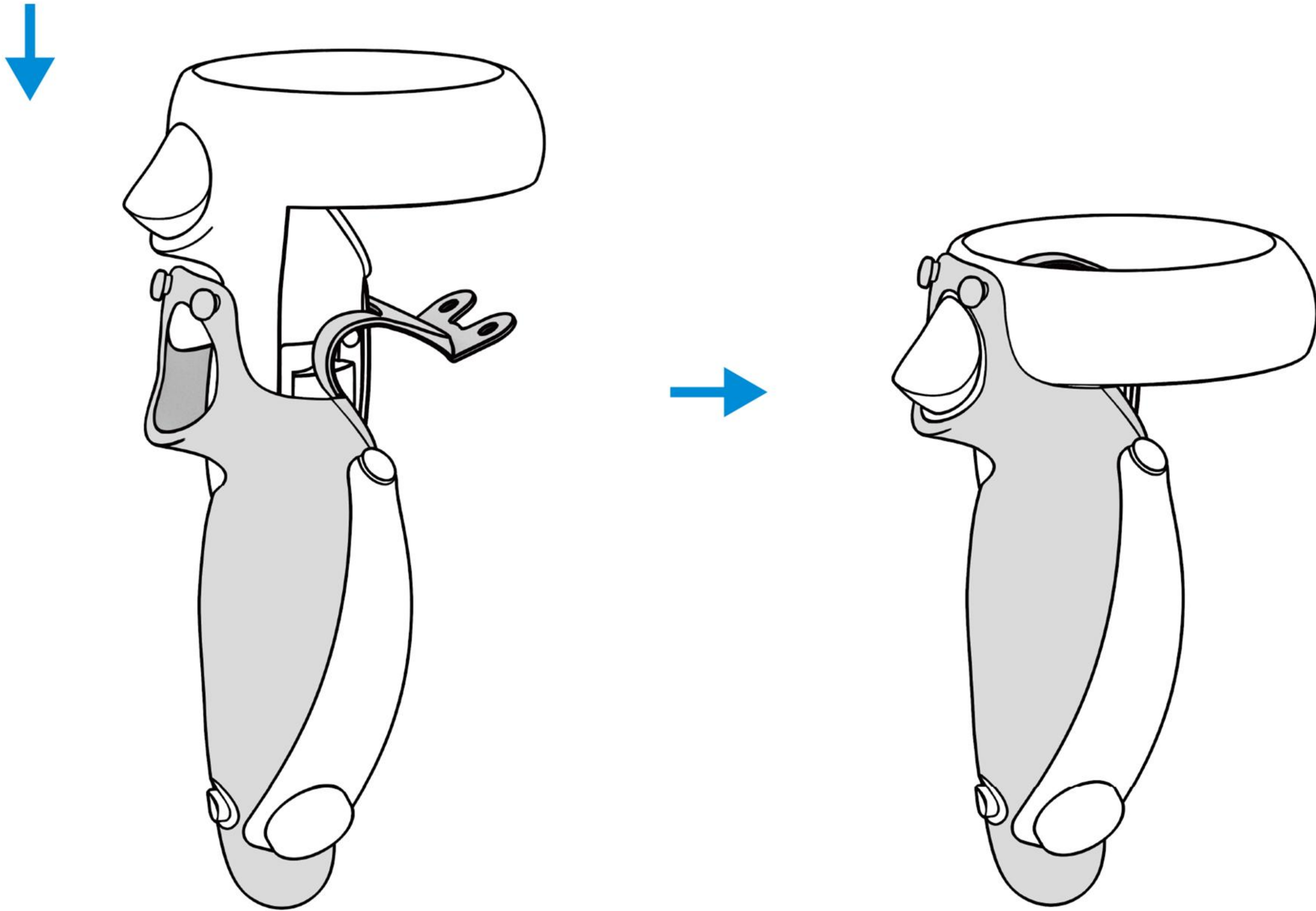
1. Remove the original battery cover and battery from the controller.



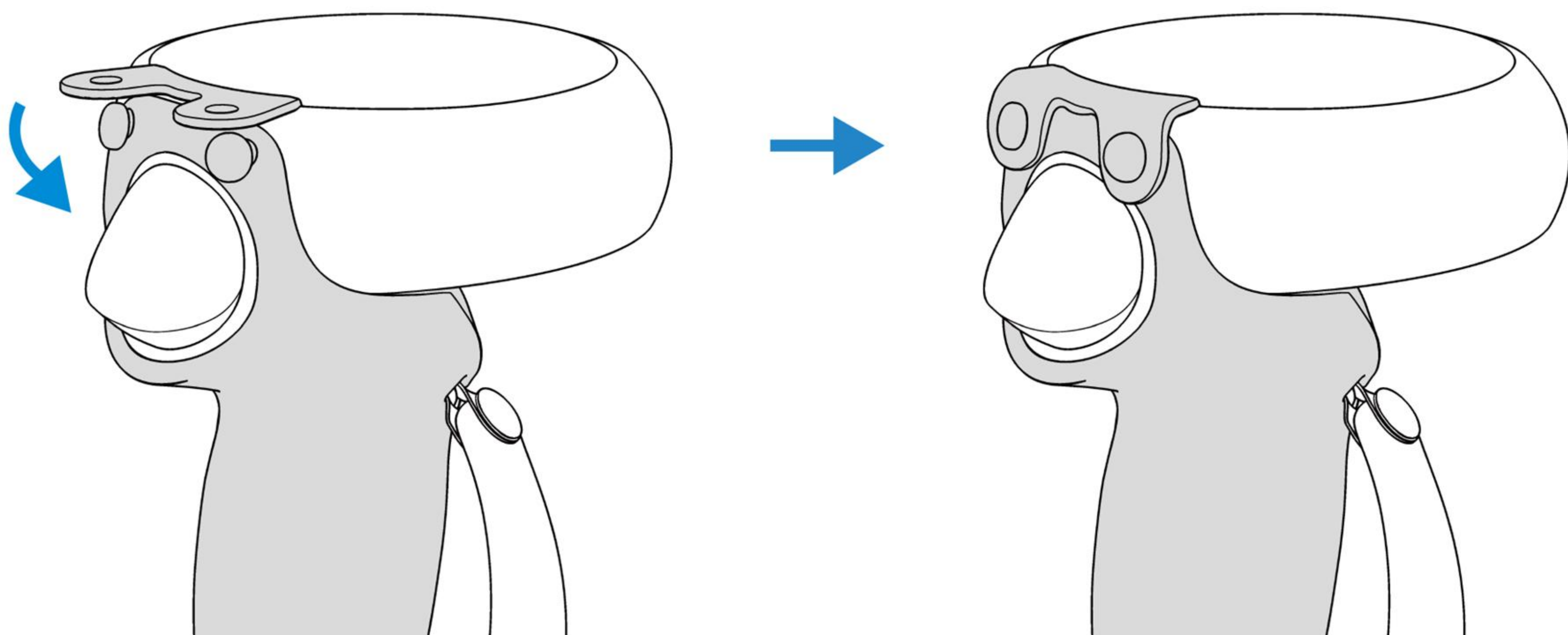
2. Install the Left/Right custom rechargeable battery into the respective controllers. Ensure the battery with the correct polarity.



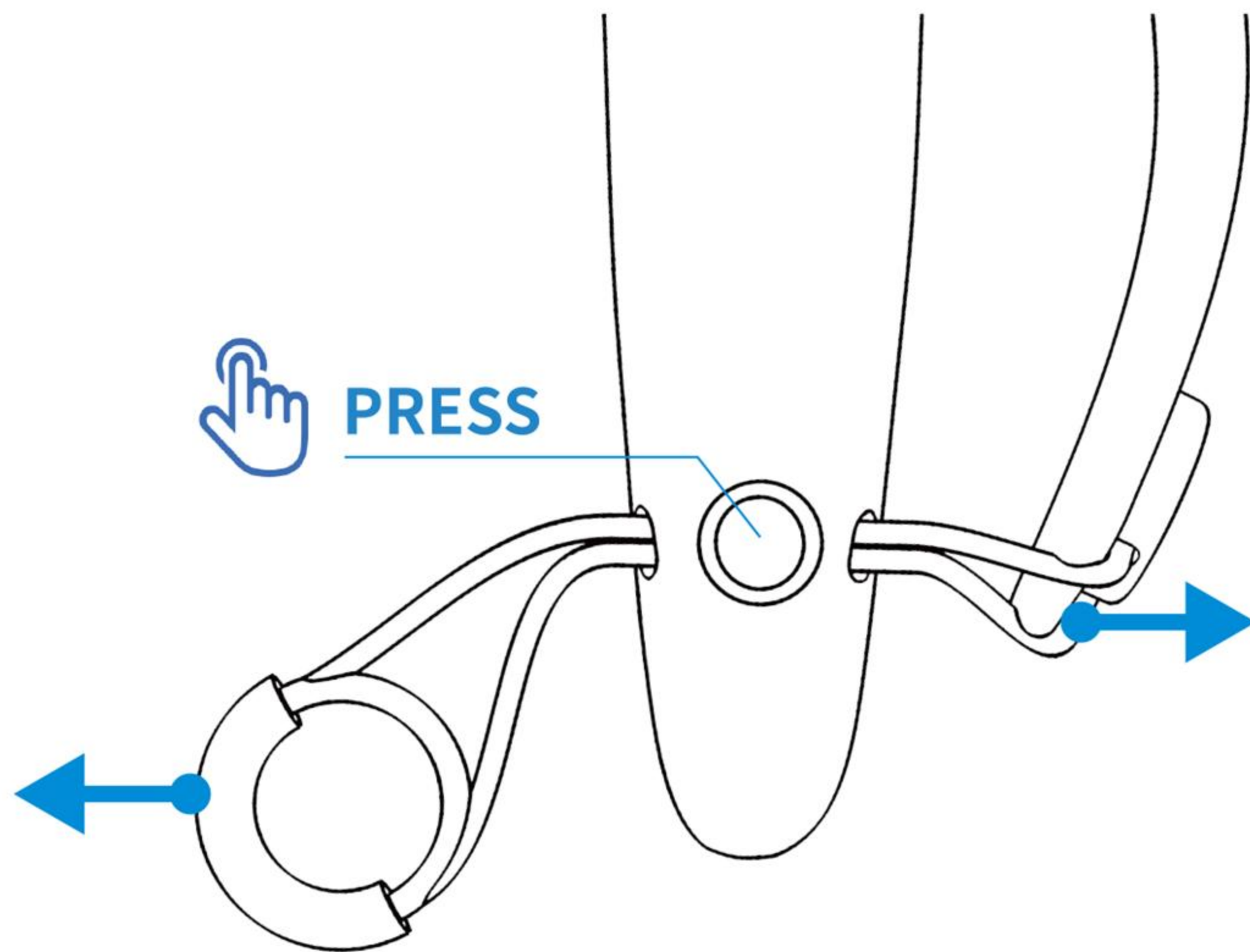
3. Slide the controller into the grip cover and click it into place.



4. Pull the two open grip cover loopholes from one side and slip them over securement clips.

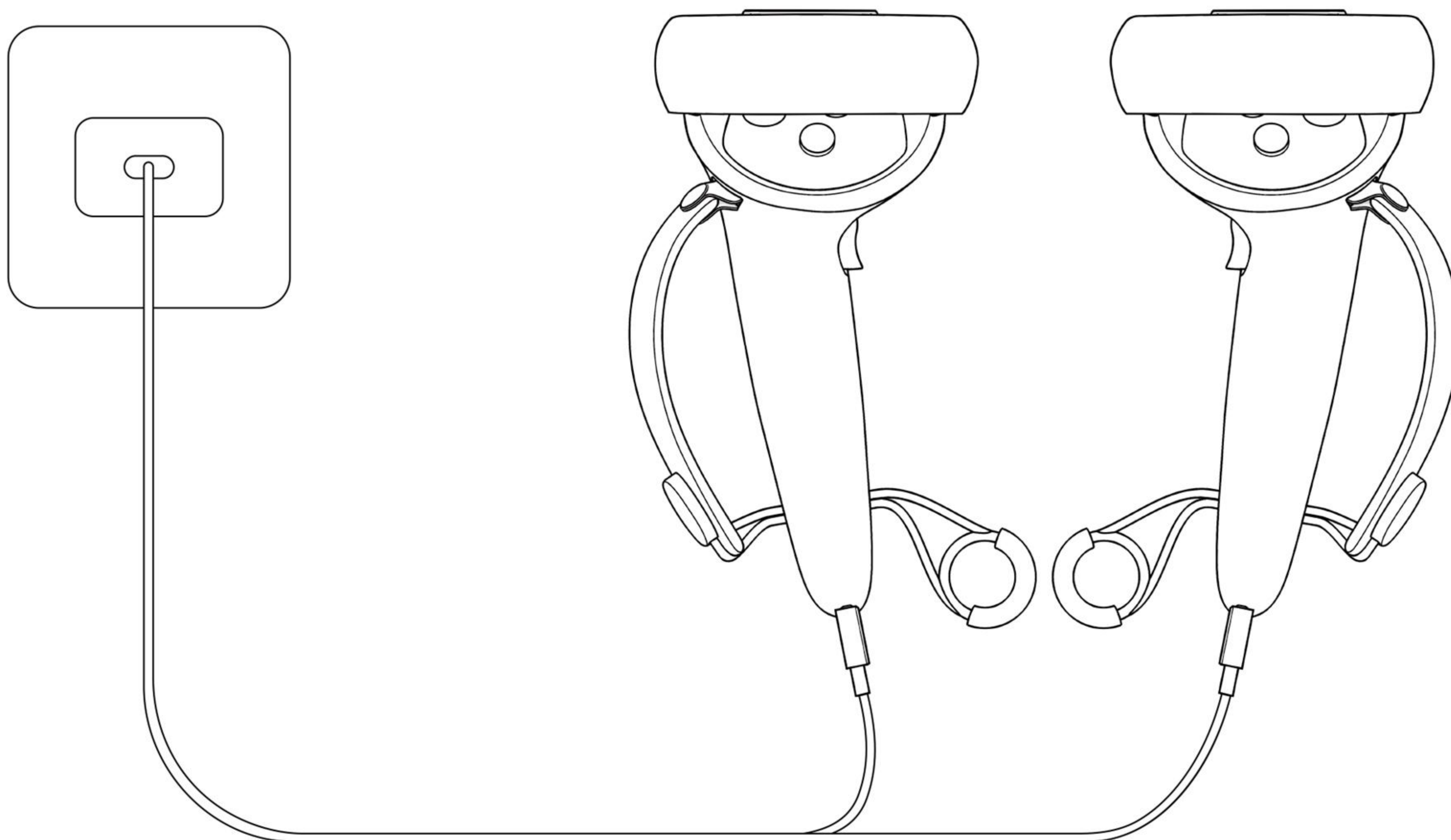


5. Adjust the elastic grip strap length in order to fit your palm.



Charge Your Touch Controller

Charge both controllers at the same time with the provided 3-in-1 charging cable.

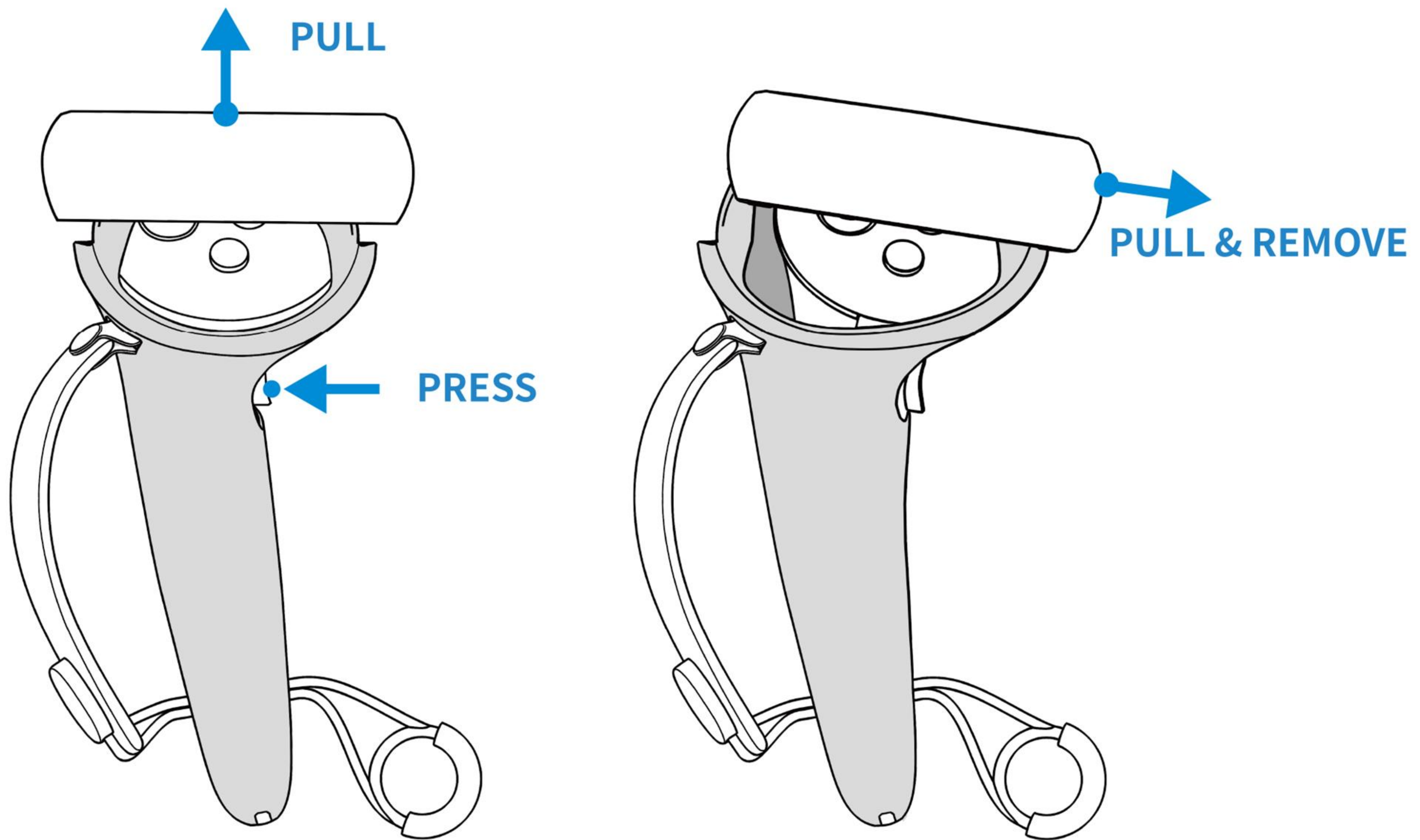


Warning: USB-C port is for input only.



Tips for Removal

Hold your controller in an active playstyle grip. Press the button and pull the controller slightly upwards to unclick it.

Pull towards the inside and remove the controller from the grip cover.



LED Light Guide

Flashing red		Being charged
Solid red		Fully charged

Specifications

Model	BY901
Input	5V / 200mA
Rechargeable Battery Capacity	Ni-MH DC1.2V/ 1000mAh* 2
Weight incl battery	94 gram *2
Size	4.65*2.32*6.97 in

How long will it take to fully charge my controller?

It takes approximately 6 hours to fully charge your controller using the USB-C cable.

Friendly Note:

- When the controller has been charged but does not work, please remove the grip cover and battery then reinstall in order to activate the controller.
- Refrain from letting the battery completely drain in order to maintain battery health.
- Normally, the voltage of Ni-MH batteries will drop after being fully charged. After the controllers are fully charged and left on the charging dock for more than 2 hours, the battery level displayed on your Quest 2 or in the App will be less than 100%, but will still have enough power to last for about 28 hours.

Safety Instructions



Read all the instructions before using the product, refer to the information on the exterior bottom enclosure for electrical and safety information before installing or operating the product.

- Store the product in a cool and dry place.
- Do not store the product in a hot or humid environment.
- Use of a power supply or charger not recommended or sold by the product manufacturer may result in a risk of fire or injury to persons.
- Operating temperature should be between 0°C to 35°C.
- Do not disassemble the product.
- Do not leave or dispose of the product in both extremely low air pressure and extreme heat such as sunshine, fire, or the like.
- Do not clean the product with harmful chemicals or detergents.
- Misuse, dropping or excessive force may cause product damage.
- When disposing of secondary cells or batteries, keep cells or batteries of different electrochemical systems separate from each other.
- Be aware the discharged battery may cause fire or smoke, tape the terminals to insulate them.
- Do not subject the product to mechanical shock, crushing, or cutting
- Do not short-circuit the product or be short-circuited by other metal objects.
- Do not use any cell or battery which is not designed for use with the equipment.
- To reduce the risk of injury, close supervision is necessary when this product is used near children or keep the product entirely out of the reach of children.

- Do not insert fingers or hands into the product.
- Do not use the product in excess of its output rating. Overload outputs above rating may result in a risk of fire or injury to persons.
- Do not use the product if it is damaged or modified. It may exhibit unpredictable behavior resulting in fire, explosion, or risk of injury.
- Have servicing performed by a qualified repair person using only identical replacement parts. This will ensure that the safety of the product is maintained.
- Switch off the device when not in use.
- Do not install this equipment in a confined or built-in space such as a bookcase or similar unit, and remain in good ventilation conditions as an open site.
- The batteries (battery pack or batteries installed) should not be exposed to excessive heat such as sunshine, fire, or the like.
- Attention should be drawn to the environmental aspects of battery disposal. Disposal of a battery into fire or a hot oven, or mechanically crushing or cutting of a battery, that can result in an explosion, should be avoided.
- Leaving a battery in an extremely high temperature surrounding environment that can result in an explosion or the leakage of flammable liquid or gas, should be avoided.
- A battery subjected to extremely low air pressure that may result in an explosion or the leakage of flammable liquid or gas, should be avoided.

FCC Statement

This device complies with Part 15 of the FCC Rules. Operation is subject to the following two conditions:

(1) This device may not cause harmful interference, and (2) this device must accept any interference received, including interference that may cause undesired operation.

Warning: Changes or modifications not expressly approved by the party responsible for compliance could void the user's authority to operate the equipment.



Note: This equipment has been tested and found to comply with the limits for a Class B digital device, pursuant to Part 15 of the FCC Rules.

These limits are designed to provide reasonable protection against harmful interference in a residential installation.

This equipment generates, uses, and can radiate radio frequency energy and, if not installed and used in accordance with the instructions, may cause harmful interference to radio communications. However, there is no guarantee that interference will not occur in a particular installation.

If this equipment does cause harmful interference to radio or television reception, which can be determined by turning the equipment off and on, the user is encouraged to try to correct the interference by one or more of the following measures:

- (1) Reorient or relocate the receiving antenna.
- (2) Increase the separation between the equipment and receiver.
- (3) Connect the equipment into an outlet on a circuit different from that to which the receiver is connected.
- (4) Consult the dealer or an experienced radio / TV technician for help.

	Indoor use only.
	This symbol means the product must not be discarded as household waste, and should be delivered to an appropriate collection facility for recycling. Follow local rules and never dispose of the product and rechargeable batteries with normal household waste. Correct disposal of old products and rechargeable batteries helps prevent negative consequences for the environment and human health.

If you have any queries or suggestions you would like to share,
please contact our support team: info@aubika.store



Refer to www.aubika.store for more information
and the latest product.

