

Record Master®

SHELVING SYSTEMS



Four-Post | Heavy-Duty | X-Ray Storage | Case Style | Aisle-Saver® Mobile



by **Borroughs**



Welcome to Record Master®—Easy. Organized. Accessible.



Many business and professional practices require a simple storage solution for their files, x-rays, records, media, and books. Record Master® Storage system is the simple choice. It's strong and durable. Rigid construction, clean finishes, and outstanding aesthetics make Record Master the first choice for health care, financial, and commercial.

Record Master shelving is a versatile and economical way to optimize your work environment. We've created several sizes, weights, designs, along with all of the accessories to meet your specific needs.

Four-Post Shelving

for every day filing needs Page 4

Heavy-Duty Storage Shelving

for diverse storage applications Page 6

Heavy-Duty X-Ray Shelving

that is both durable and compact Page 8

Case-Style Library Shelving

a blend of beauty and flexibility for book storage..... Page 10

Aisle-Saver® High Density Storage

for space-savings and efficiency Page 12

Four-Post Shelving

Record Master® Four Post Shelving is an exceptional combination of strength, function and form—for day-to-day use.



Attractive, easy-to-assemble, space efficient Four-Post Shelving has been specifically designed for this purpose.

Four-Post open shelf filing allows folders to be clearly visible and provides for easy retrieval. Units utilize vertical space to maximize file storage per square foot, while keeping files within easy reach.

Letter Size Capacity
8.5 x 11
 2-1/2 lbs. per filing inch

Legal Size Capacity
8.5 x 14
 3 lbs. per filing inch

Features and Benefits

- No externally exposed holes - crisp, clean, contemporary appearance.
- No sway braces - quick, simple assembly and double-entry access.
- No exposed hardware - diminishes file damage.
- Low profile shelf-allows optimum shelf centers for maximum filing capacity.
- Furniture quality finish - looks great in any office even after years of heavy use.
- Adaptable for an Aisle-Saver® mobile filing system.

Dimensions

Heights:

6-tier	64-1/4"
7-tier	76-1/4"
8-tier	88-1/4"
9-tier	97-1/4"

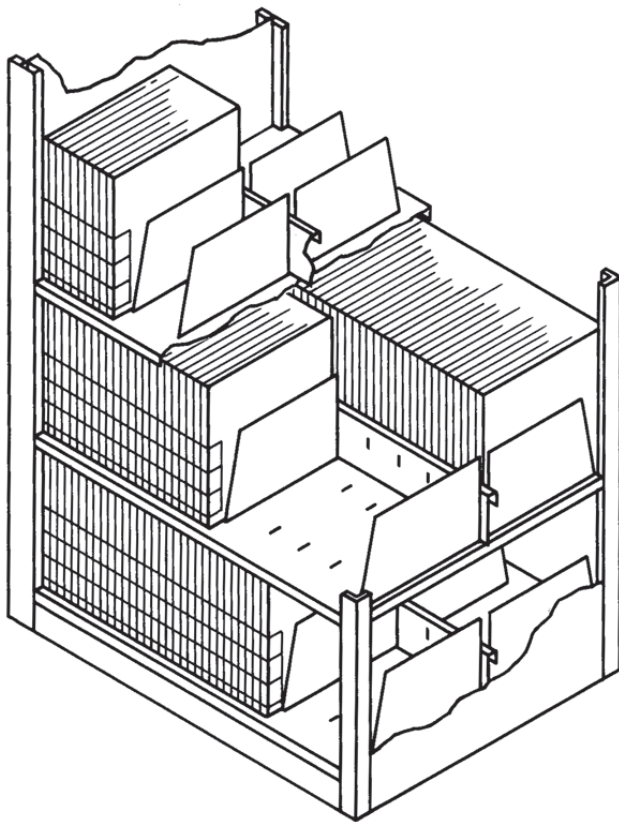
Widths:

30", 36", 42" and 48"

Depths:

Single Face	
Letter	12", 13"
Legal	15", 16"
Double Face	
Letter	24", 26"
Legal	30", 32"

Additional heights, widths, and depths available.



Double entry shelves reduce cost and maximize overall filing capacity.



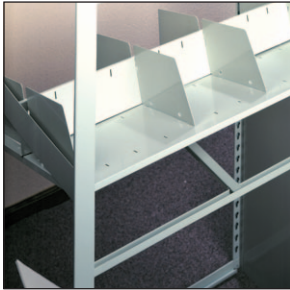
Wedge-Locking Double Rivet Shelf Support

Exceptional strength and rigidity without sway braces or nuts and bolts. Components interlock for quick and easy assembly.



Optional Full-Width Reference Shelf

Quick and convenient pull-out work surface within file areas. 30", 36", 42" and 48" widths available.



Shelf Supports

Full-width support for increased capacity.



Adjustable File Divider

Color-matching file dividers interlock into slotted shelf and backstop, yet can be quickly relocated for flexibility.

Heavy-Duty Storage Shelving

General storage in office environments, as well as healthcare, financial, commercial and institutional applications, requires strong and versatile shelving which is also attractive.

Heavy-Duty Storage Shelving meets these needs with easy-to-assemble units that ideally suit many diverse storage applications.

For maximum storage capacity, Borroughs combines heavy gauge steel shelves, shelf supports and welded uprights with rack-type construction. Smooth, unbroken lines give a finished appearance with no unsightly holes or exposed edges.



Record Master® Heavy-Duty Shelves are manufactured with 18 gauge steel and have full-width support for increased capacity.



Dimensions

Heights:

76-1/4", 88-1/4" and 97-1/4"

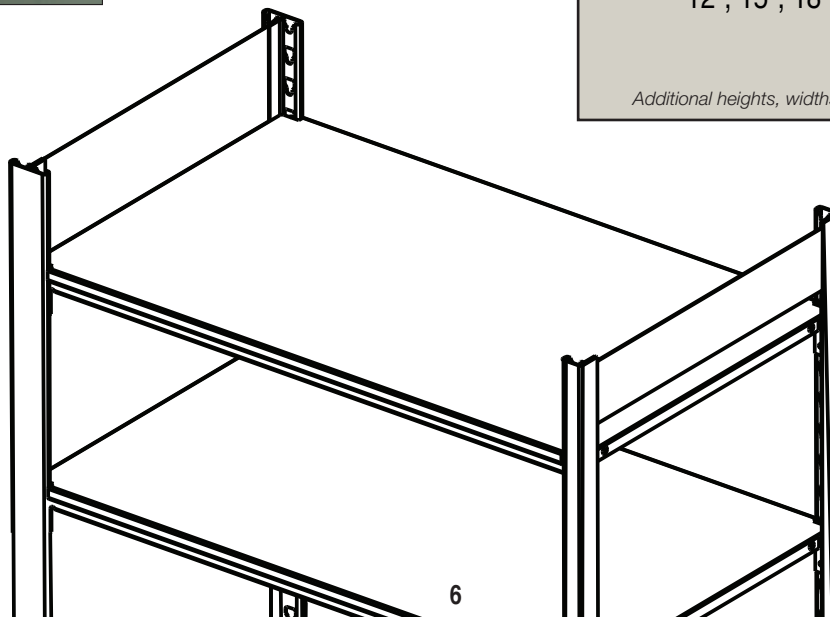
Widths:

30", 36", 42" and 48"

Depths:

12", 15", 18", 24", 30" and 36"

Additional heights, widths, and depths available.



Heavy-Duty Storage Shelving, with its rigid construction and full-width shelf supports, will support even the heaviest of loads safely and securely. Excellent for bulk storage applications. Easy to install and attractive.

Features and Benefits

- No externally exposed holes - crisp, clean, contemporary appearance.
- Wedge-locking double rivet design - strength and rigidity without nuts or bolts.
- No sway braces - quick, simple assembly and double-entry access.
- Strength and rigidity - field-proven for mobile or compact applications.
- Furniture quality finish - looks great in any office even after years of heavy use.

Shelf Capacities

(in pounds based on uniformly distributed static loads using 18 gauge shelves)

Size of Shelf		With 14 Gauge Shelf Supports			With 11 Gauge Shelf Supports		
Width	Depth	Number of Shelf Reinforcements			Number of Shelf Reinforcements		
		0	2	3	0	2	3
36"	12"	675	-	-	950	-	-
36"	15"	600	625	-	675	1000	-
36"	18"	300	700	-	300	900	-
36"	24"	150	600	-	150	850	-
36"	30"	-	550	-	-	850	-
36"	36"	-	-	525	-	-	525
42"	12"	550	-	-	800	-	-
42"	15"	500	575	-	600	850	-
42"	18"	300	600	-	325	800	-
42"	24"	175	550	-	200	775	-
42"	30"	-	550	-	-	800	-
42"	36"	-	-	525	-	-	550
48"	12"	475	-	-	575	-	-
48"	15"	450	450	-	575	700	-
48"	18"	300	500	-	350	675	-
48"	24"	200	450	-	225	650	-
48"	30"	-	475	-	-	650	-
48"	36"	-	-	475	-	-	650

Heavy-Duty X-Ray Shelving

The high cost of space in today's health care facilities puts a premium on efficient storage...And, storing x-ray folders requires strong and durable shelving that is also easily accessible.

Borroughs' Heavy-Duty X-Ray Shelving has been specifically engineered to combine strength and accessibility with compact design, for efficient use of available space.

To hold the weight of x-rays, Borroughs uses extra heavy gauge steel in manufacturing our shelves, their supports and reinforcements. Open shelf filing allows folders to be clearly visible for quick and easy retrieval. Units have five tiers of filing for maximum file storage per square foot, while keeping files within easy reach.



Dimensions

Heights:

5-tier 83-3/4"

Widths:

36", 42" and 48"

Depths:

Single Face 18"

Double Face 36"

X-Ray Filing Capacity

15"h x 18"d

8 lbs. per
filing inch

Features and Benefits

- No externally exposed holes or hardware - clean, contemporary appearance.
- Wedge-locking double rivet design - strength and rigidity without nuts or bolts.
- Easy access to X-rays - no time consuming drawers to open and close.
- Strength and rigidity - field-proven for mobile or compact applications.
- Furniture quality finish - looks great in any office even after years of heavy use.
- Capable of being installed on Aisle-Saver® mobile filing system.

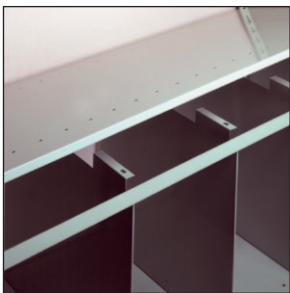


Record Master® Heavy-Duty X-Ray shelving system meets the precision requirements of modern hospitals. Maximum capacity storage with minimum space improves productivity and reduces costs.



High-Strength Rivets

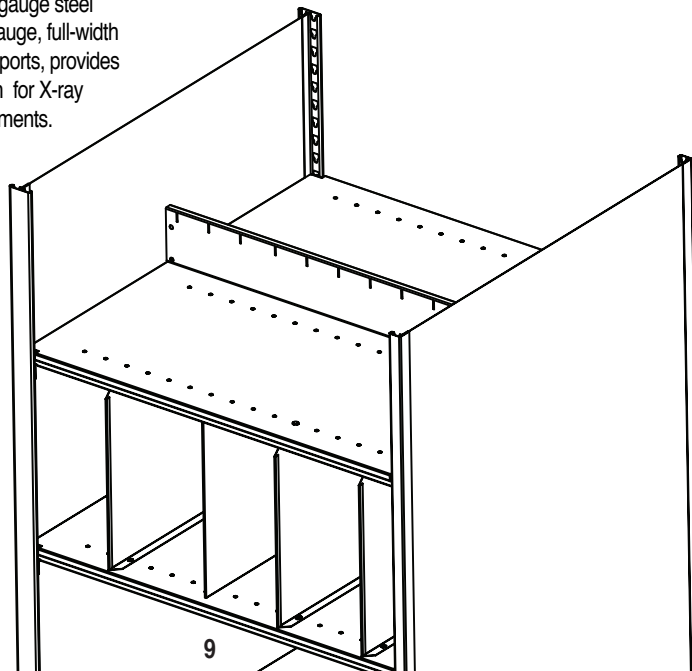
Borroughs' high-strength shoulder design rivets carry heavy filing loads safely. Borroughs uses no tab connections.



Full-Width Shelf Support

Heavy-duty 18 gauge steel shelf, with 11 gauge, full-width 1-1/4" thick supports, provides greater strength for X-ray storage requirements.

Heavy-Duty X-Ray Shelving is equipped with a four point divider attachment that accommodates the extra weight of X-ray folders and media.



Record Master® Case-Style Library Shelving

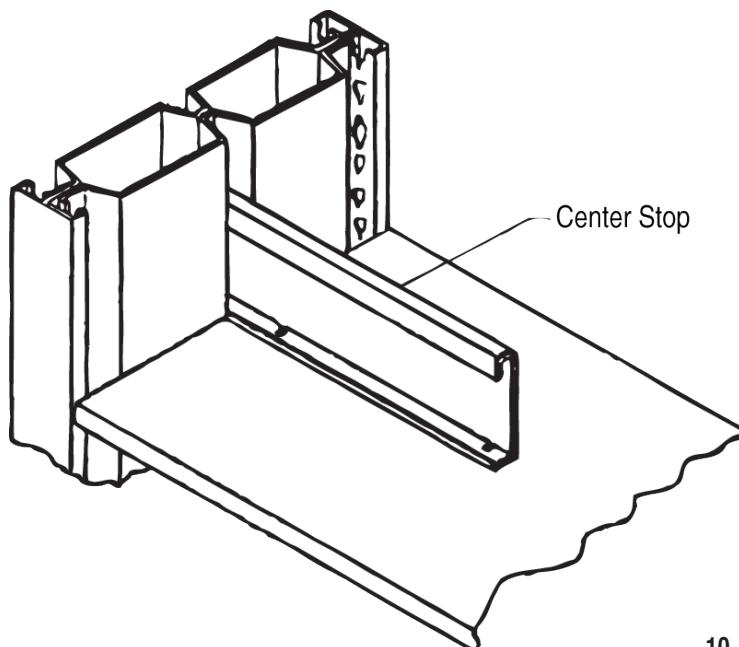
Professional libraries demand an exceptional shelving system. It must be strong, yet incorporate a blend of beauty and flexibility. Borroughs' Case-Style Library shelving is exceptional.

Record Master Case-Style Library shelves are designed with a clean, contemporary look that eliminates externally exposed holes and produces a furniture-quality appearance.

Components interlock without separate fasteners for quick assembly. Plus, with no nuts or bolts, book damage is diminished. Record Master's strong and rigid construction holds even the heaviest of book collections safely.



Double-face unit with optional center stop allows access to books from both sides, while using only one shelving unit.



Dimensions

Heights:

40-1/4", 76-1/4" and 88-1/4"

Widths:

30", 36", 42" and 48"

Depths:

Single Face 9" and 12"

Double Face 18" and 24"

Features and Benefits

- No externally exposed holes - crisp, clean, contemporary appearance.
- No exposed hardware - diminishes damage to books being displayed.
- No sway braces - quick, simple assembly and double-entry access.
- Strength and rigidity - field-proven for mobile or compact applications.
- Furniture quality finish - looks great in any office even after years of heavy use.



Double-wall construction with full-height, welded panels creates an elegant appearance and provides superior strength.



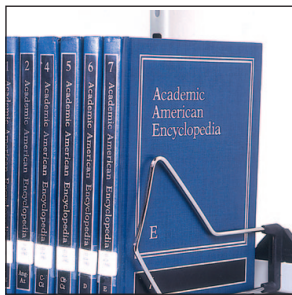
Full-Width Reference Shelf 30", 36", 42" & 48"

Quick and convenient pull-out work surface improves efficiency.



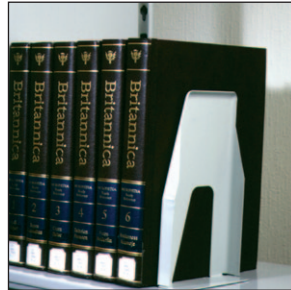
Hinged Periodical Shelf

11-3/4" high with a 1-7/8" deep retaining lip makes reading magazine or other reference material titles easy.



Sliding Wire Divider

Adjusts quickly and easily to any position along a shelf and locks securely in place when holding books.



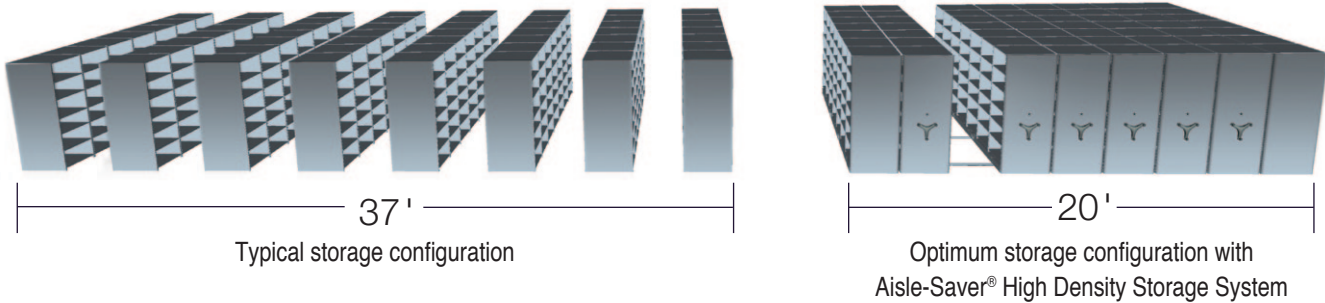
Findable Book Support

Cork underside prevents slipping. Formed edge prevents the support from being lost among books.



Aisle-Saver® High Density Storage Systems

Combine any Record Master® product with an Aisle-Saver® High Density Storage System to maximize your filing and storage needs. Aisle-Saver eliminates the inefficiency caused by fixed aisles by mounting shelves on movable carriages, and freeing valuable floor space. Borroughs offers three types to meet your needs.



Aisle-Saver Mobile systems save approximately 50% space in most applications.

Aisle-Saver®

Aisle-Saver Synergy Series™ Mechanical Assist System

- Ergonomic handle and powerful drive ratios make operation fast and easy
- Dual access and key-operated for added security
- Safety lock for operator protections
- Reconfigurable as requirements change
- Versatile, economical, and reliable



The Aisle-Saver High Density Storage Systems can cut your cost-per-filing inch by 40%.

Aisle-Saver Synergy Series™

Electrical System

Aisle-Saver Synergy Series Electrical System is ideal for high-access areas.

- Quickly locate materials—A 36" aisle opens in as little as 8 seconds
- State-of-the-art active and passive safety systems ensure safety
- Provides security and customizable access for stored material
- Sequential carriage movement reduces power consumption
- Reconfigurable as requirements change
- Field tested, reliable, and carries a five-year warranty



User-friendly touch screen control easily moves shelves.



Aisle-Saver Synergy Series™ Electric System shown with Radius edge panels and laminate inserts.

Aisle-Saver Lateral System

Aisle-Saver Lateral Systems are ideal for perimeter wall installations.

- Two-row and three-row deep systems available
- Case hardened steel bearing wheels provide effortless side to side movement
- Carriage sections are reconfigurable - as requirements change.
- Anti-tip safety designed into the deck and track



Record Master® Options



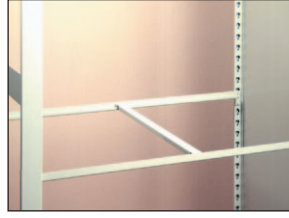
Plain Shelf

When adjustable file dividers are not required.



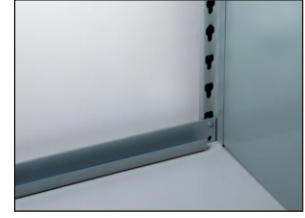
Heavy-Duty Shelf

Provides additional shelf load capacity for non-standard files or specialized items.



Shelf Reinforcement

Added support for shelves. Available for 3/4" and 1-1/4" high shelf supports.



Single Rivet Bottom Shelf Support

Allows bottom flange at floor level for mobile face tie-in.



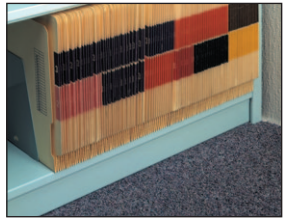
Back Panel

Provides neat, finished appearance for application where all sides of the shelves will be viewed.



Center Stop - Unslotted

Divides double-entry shelf. Prevents materials from moving beyond midpoint of shelf.



Front Base

Protects file folders from floor maintenance equipment and produces a finished look.



Center Support Rivet

Center support rivet allows shelf adjustments for 3/4" increments.

Record Master® Accessories



Full Width Reference Shelf

Creates a quick and convenient pull-out work surface.



Range Finder

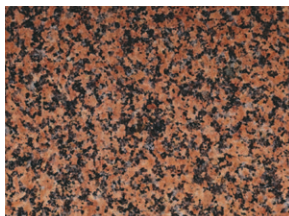
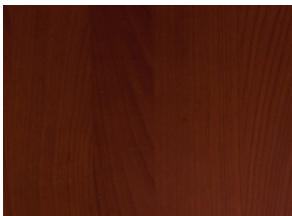
3" x 5" painted steel range finder makes identification of row and contents easy.



Card Holder

3" x 5" zinc plated steel card holder streamlines aisle identification.

Record Master® Decorative End Panels



Only a small sampling of possibilities are pictured above. Contact your Borroughs representative for selections.

Borroughs' high-pressure laminate, wood veneer, fabric panels, and painted steel offer unlimited finish possibilities.



You can count on the combination of Borroughs people and products to create the perfect storage solutions for all your needs.

Borroughs Standard Powder Coat Colors

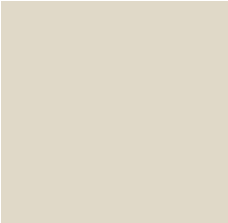
Borroughs powder coat finishes are high quality, durable and inert. Industrial and Office products are available in a wide variety of standard and custom colors. For specific color policies, please refer to Borroughs Powder Coat Color Guide or contact Customer Service.

The colors depicted on this publication have been reproduced using a printing process and are only provided as a guide. The actual painted product may vary. All colors are not available on all products. Please contact your Borroughs Dealer for details.

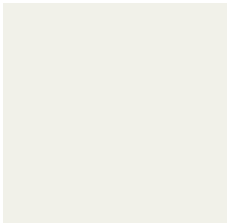
Standard Office Storage Colors



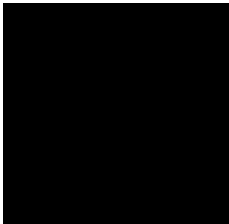
010 Autumn Haze



159 Eggshell



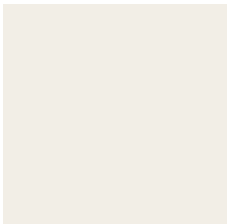
445 White



040 Black



161 Mist Gray



D492 Parchment



065 Industrial Gray



165 Forest Gray



F604 Pebble

