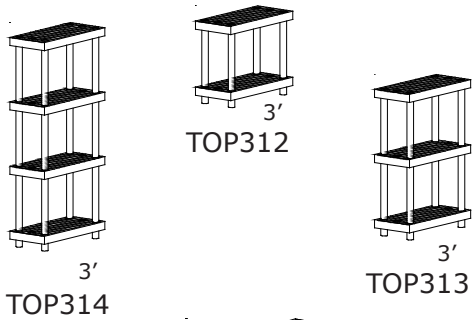




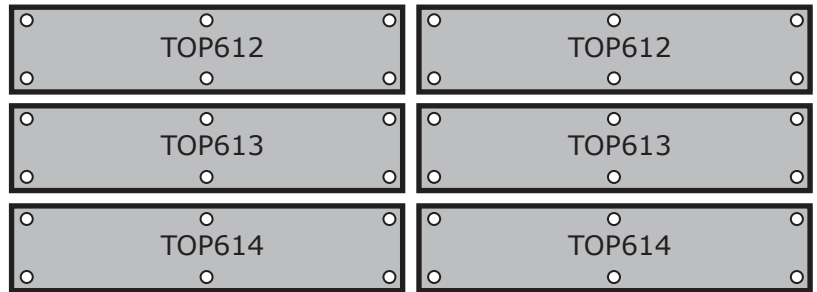
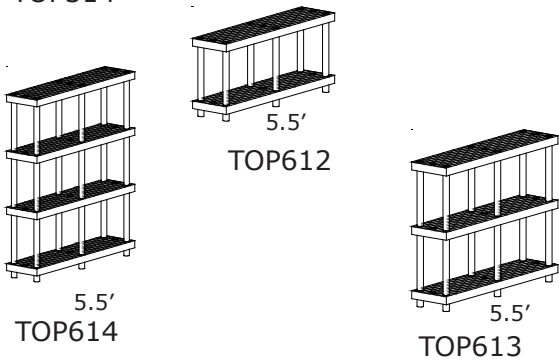
# Design Toolkit



## Shelving 16" WIDE

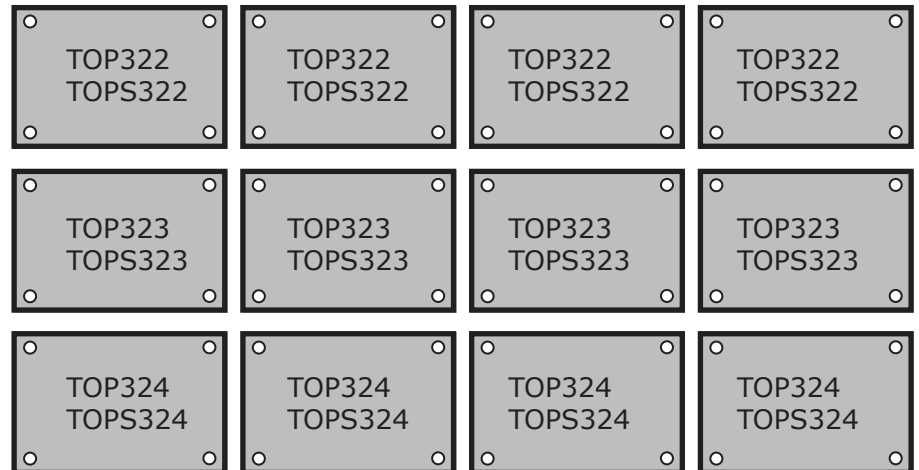
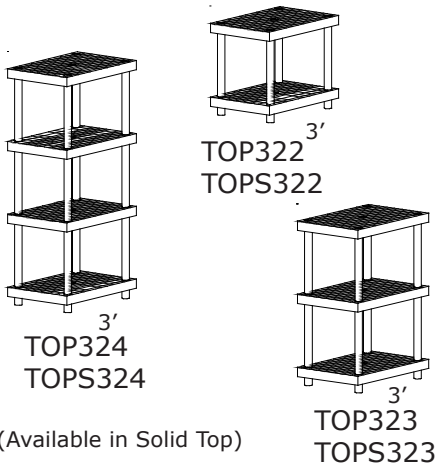


Cut for use with Topshelf toolkit.

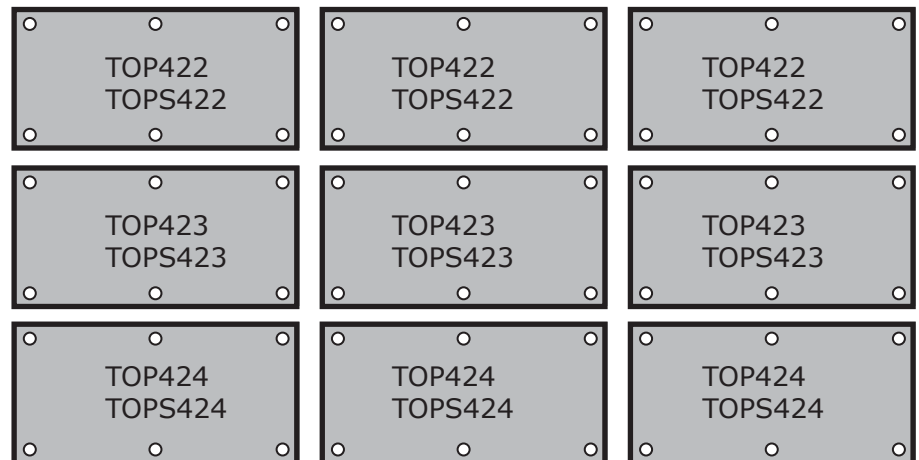
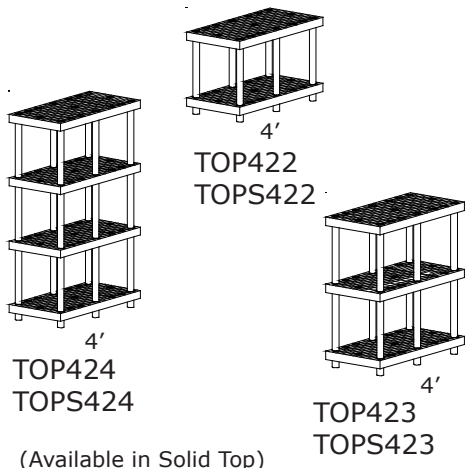


Cut for use with Topshelf toolkit.

## Shelving 24" WIDE



(Available in Solid Top)

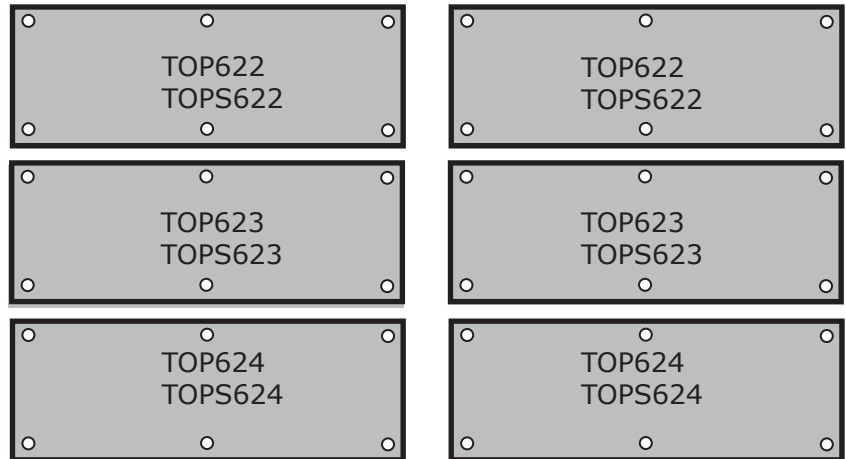
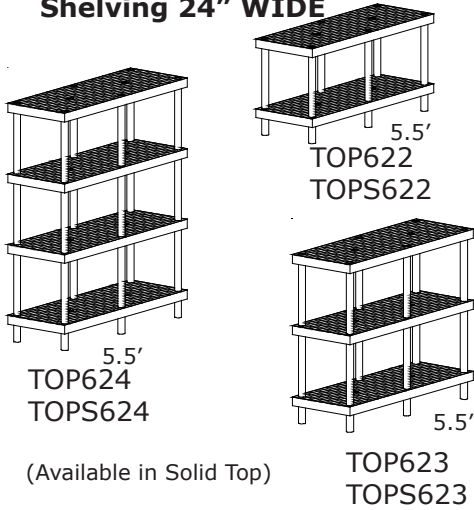


Cut for use with Topshelf toolkit.

# Design Toolkit

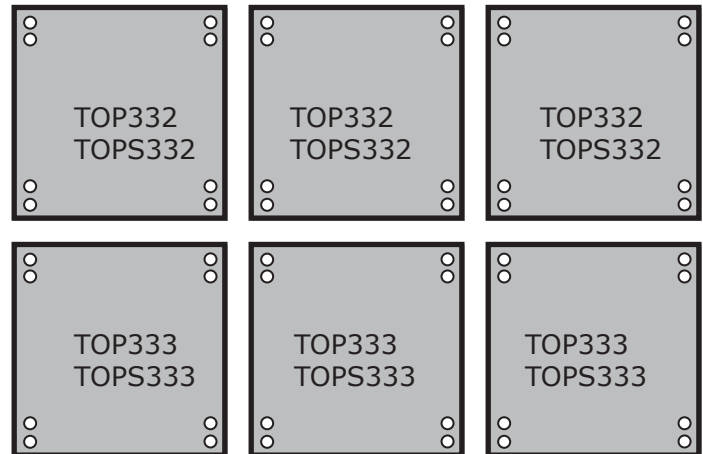
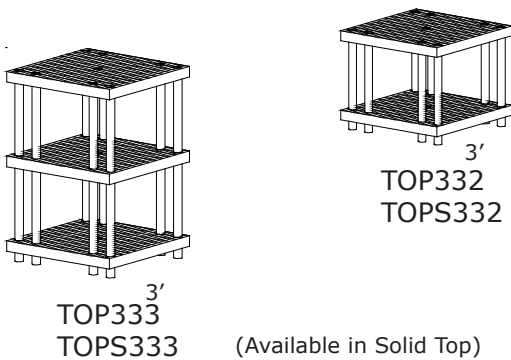


## Shelving 24" WIDE



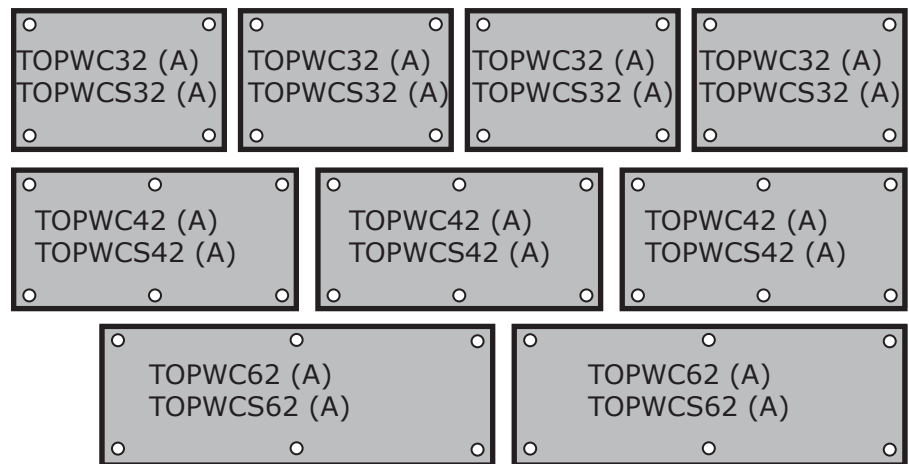
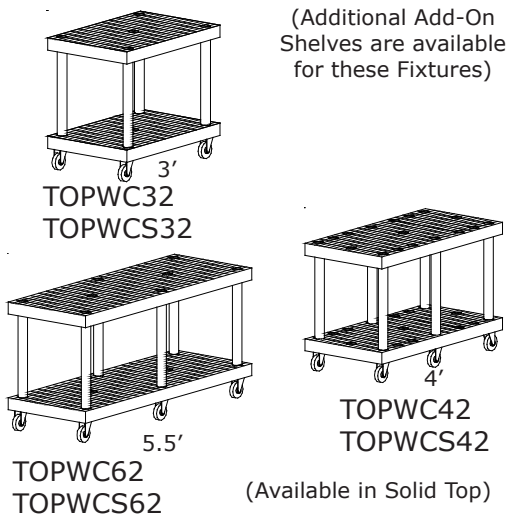
Cut for use with Topshelf toolkit.

## Shelving 36" WIDE



Cut for use with Topshelf toolkit.

## Carts 24" WIDE



Cut for use with Topshelf toolkit.

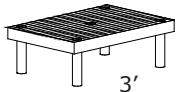
## Storage Cube 1'x 2'



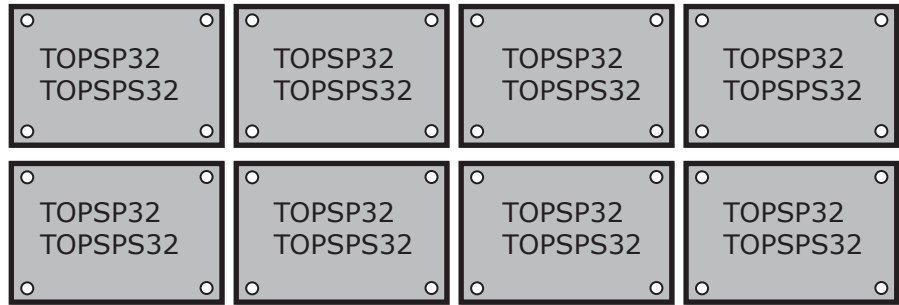
# Design Toolkit



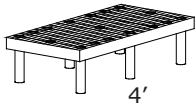
## Storage Platforms Grid/Solid 24" WIDE



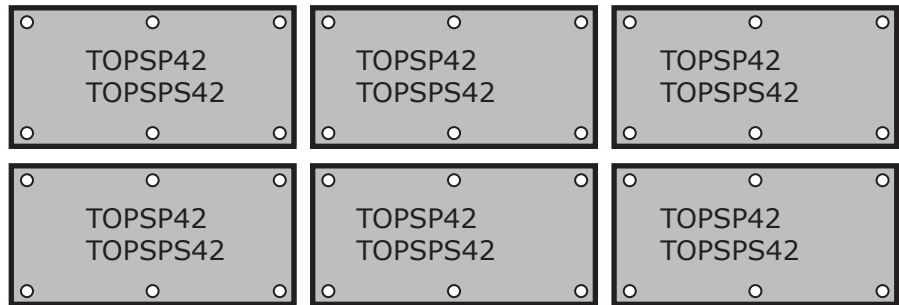
TOPSP32  
TOPSPS32  
(Available in Solid Top)



Cut for use with Topshelf toolkit.



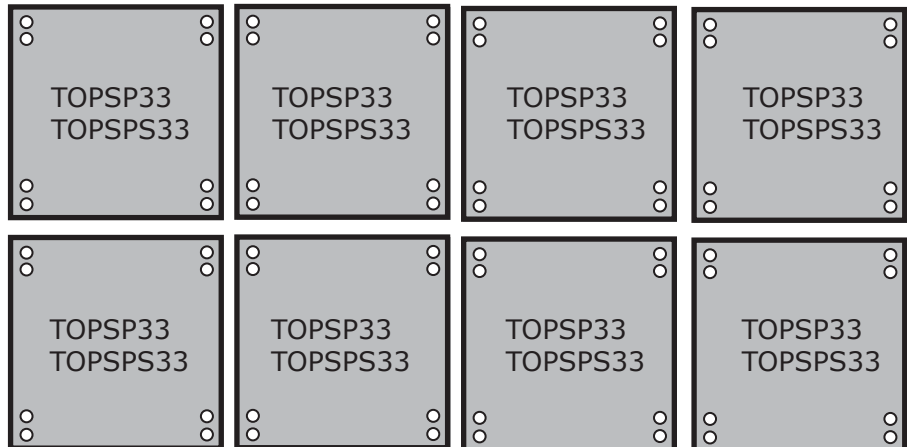
TOPSP42  
TOPSPS42  
(Available in Solid Top)



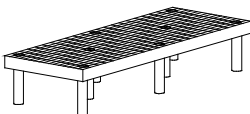
Cut for use with Topshelf toolkit.



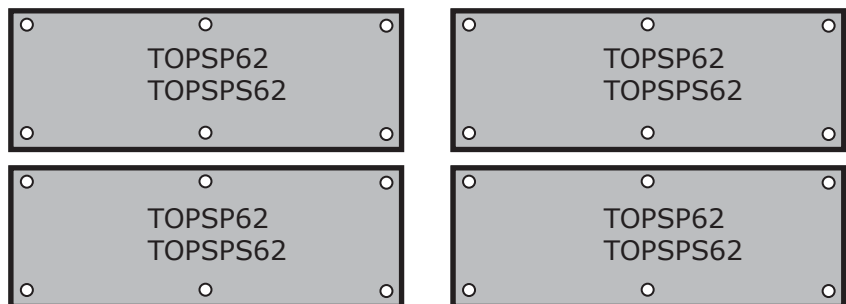
TOPSP33  
TOPSPS33  
(Available in Solid Top)



Cut for use with Topshelf toolkit.



TOPSP62  
TOPSPS62  
(Available in Solid Top)

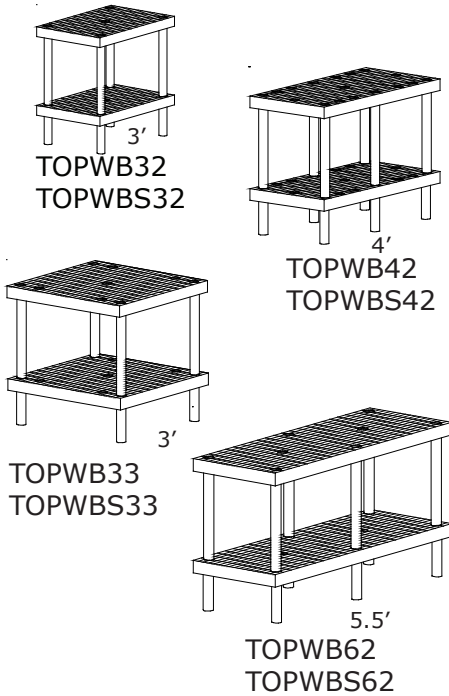


Cut for use with Topshelf toolkit.

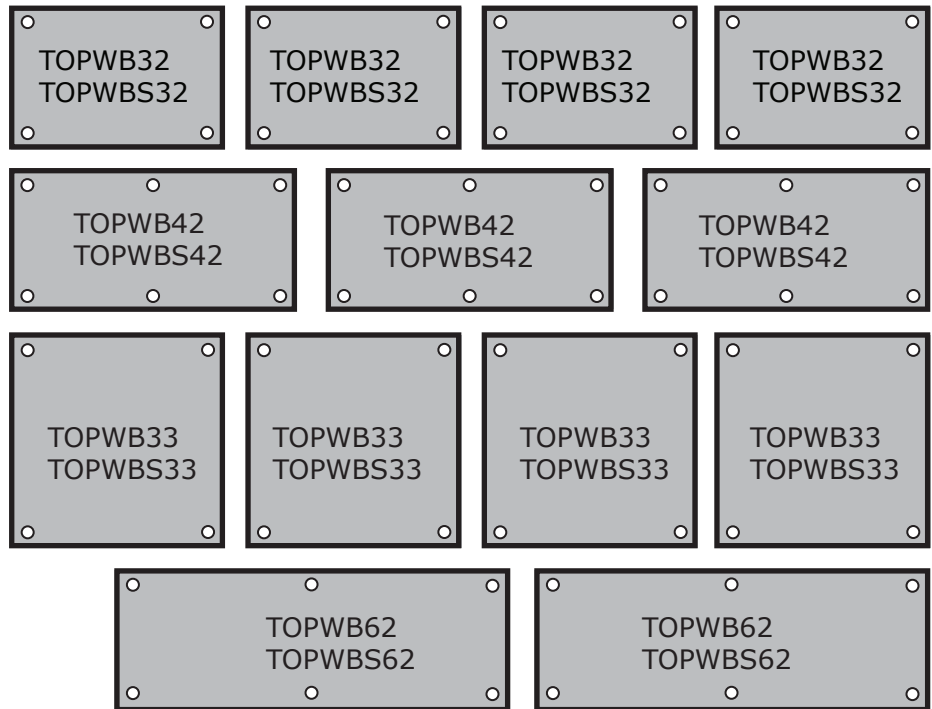
# Design Toolkit



## Work Benches



(Available in Solid Top)

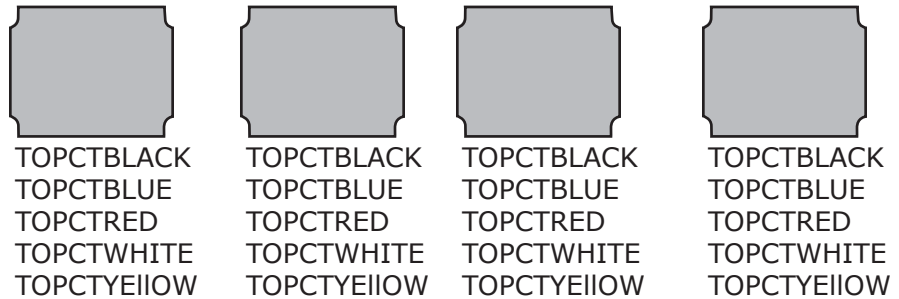


Cut for use with Topshelf toolkit.

## Containment Trays



TOPCTBLACK  
TOPCTBLUE  
TOPCTRED  
TOPCTWHITE  
TOPCTYELLOW

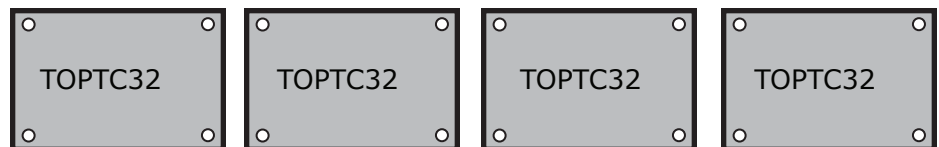


Cut for use with topshelf tool kit.

## Long Handled Tool Cart



TOPTC32



Cut for use with Topshelf toolkit.

Scale 3/8" = 1'-0" (1 box = 1 square foot)

