

Design Toolkit



#1: Getting Started

- Print the entire Design Toolkit which includes: directions, cutout sheets, and scaled graph paper.

#2: Measure and Assess

- Consider and list all of your storage needs and available space.
- Measure length, width, and height of area with tape measure.
- Make note of door and window placements in area.

#3: Plan and Layout Solutions

- Use your list of needs and measurements to begin design.
- Cut out desired product pieces with scissors.
- Place cutouts on scaled graph paper according to needs and dimensions.
*(Scale 3/8" = 1'-0" (1 box = 1 square foot))

#4: Final Layout, Product Selection, and Purchase

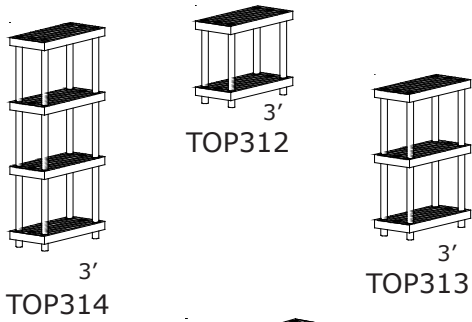
- Having reviewed your Final Plan, add the desired products to your cart.
- Proceed to Pay Pal to complete the order.

We wish you the best, and thank you for your purchase. Our helpful Top Shelf Garage Specialists are only a phone call away and can be reached at 1-248-328-5635.

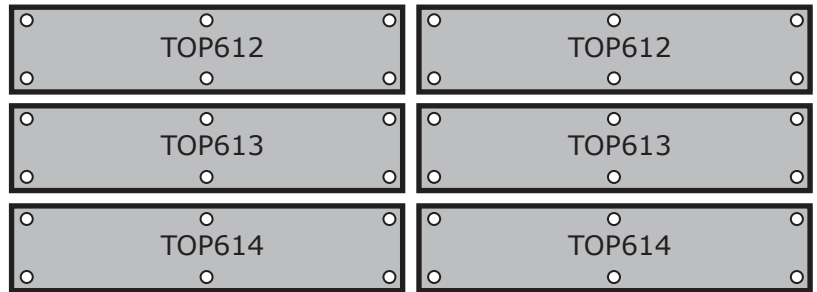
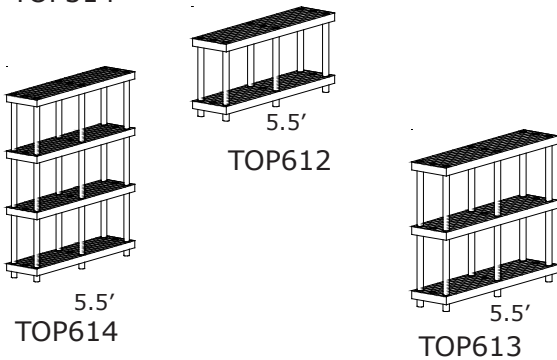
Design Toolkit



Shelving 16" WIDE

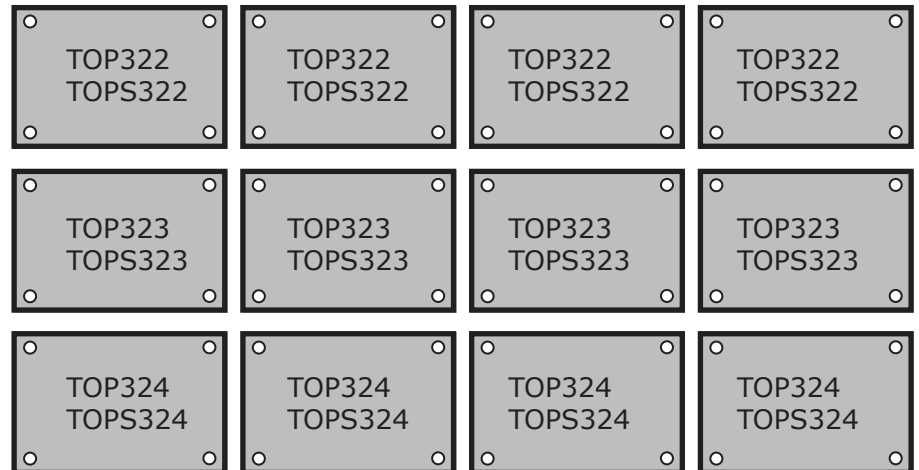
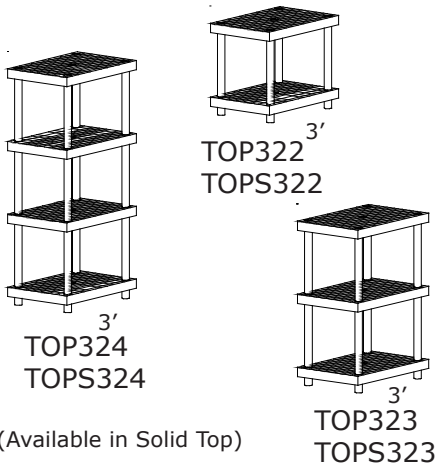


Cut for use with Topshelf toolkit.

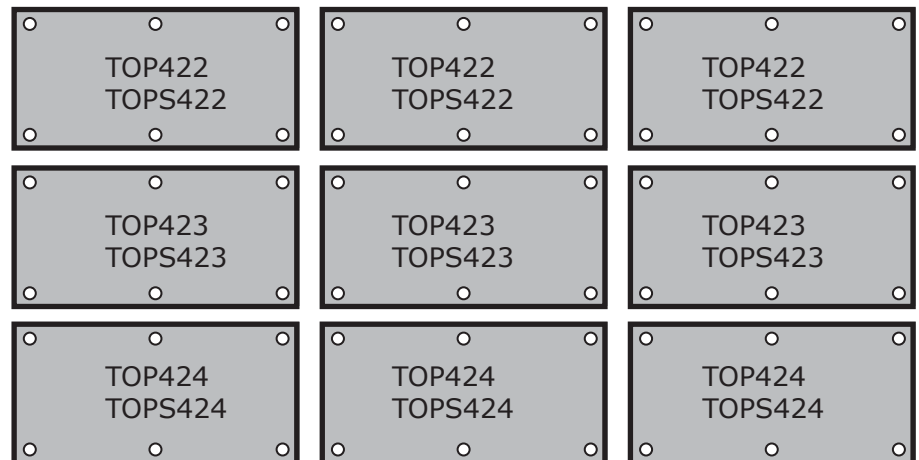
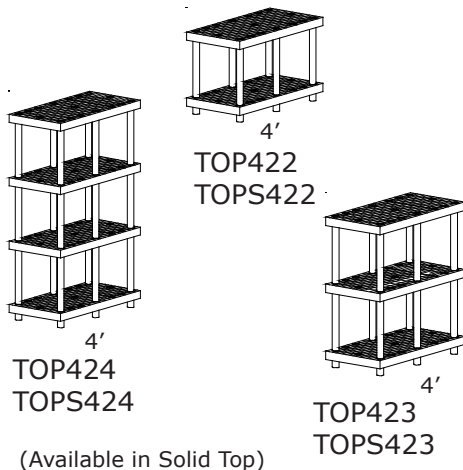


Cut for use with Topshelf toolkit.

Shelving 24" WIDE



(Available in Solid Top)

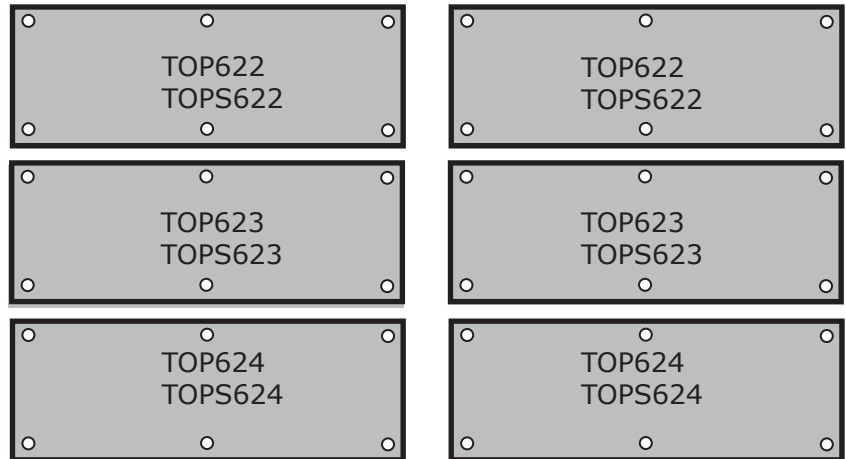
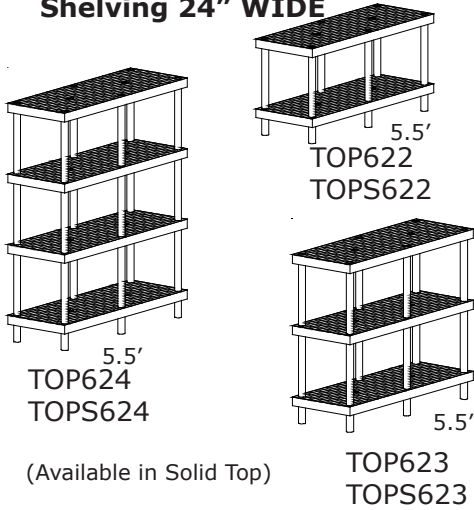


Cut for use with Topshelf toolkit.

Design Toolkit

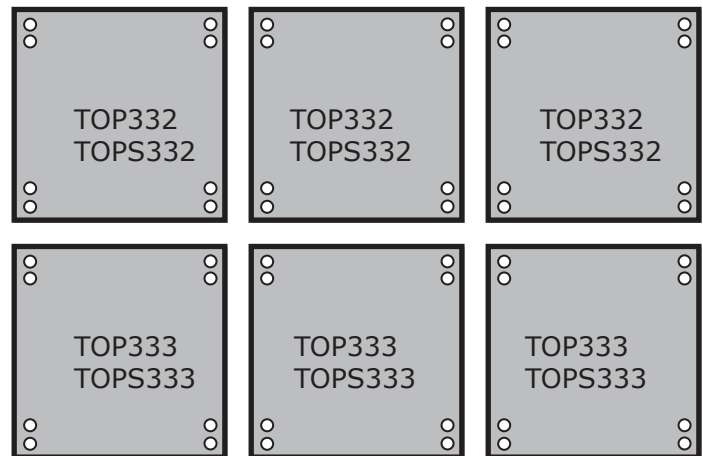
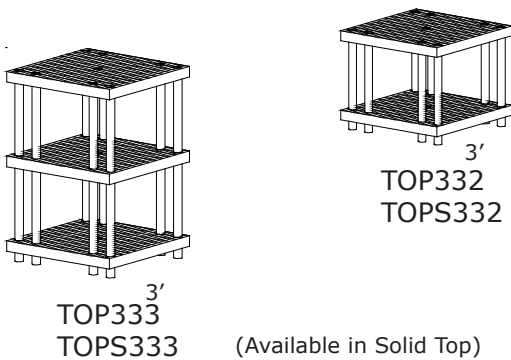


Shelving 24" WIDE



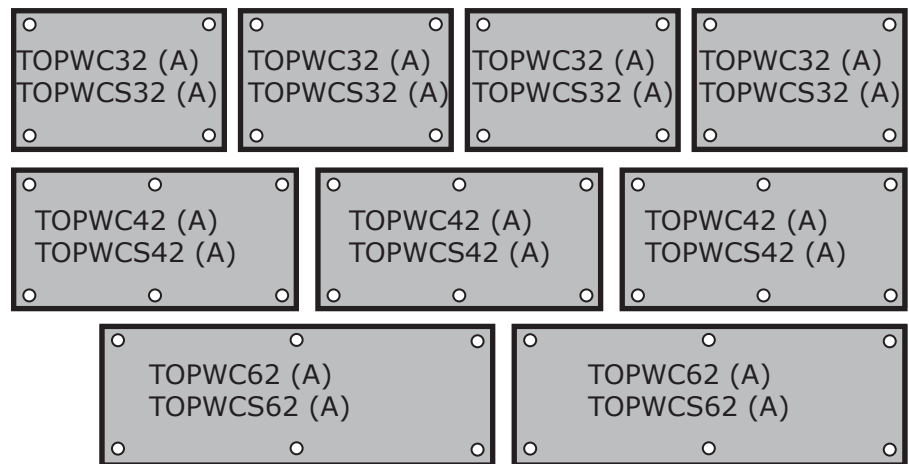
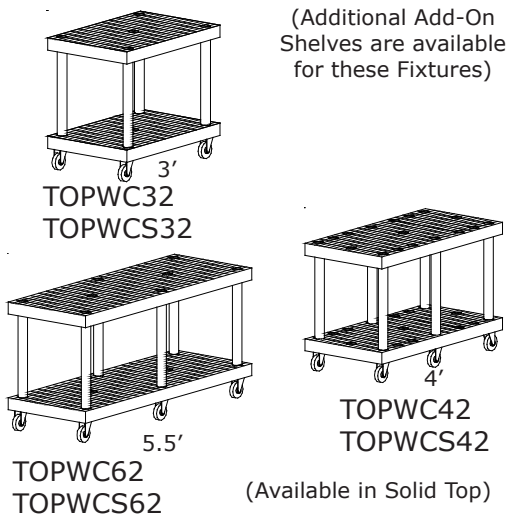
Cut for use with Topshelf toolkit.

Shelving 36" WIDE



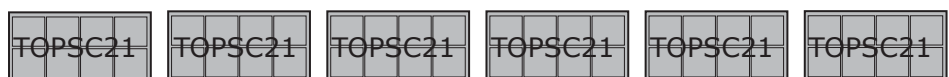
Cut for use with Topshelf toolkit.

Carts 24" WIDE



Cut for use with Topshelf toolkit.

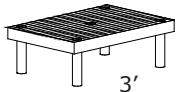
Storage Cube 1'x 2'



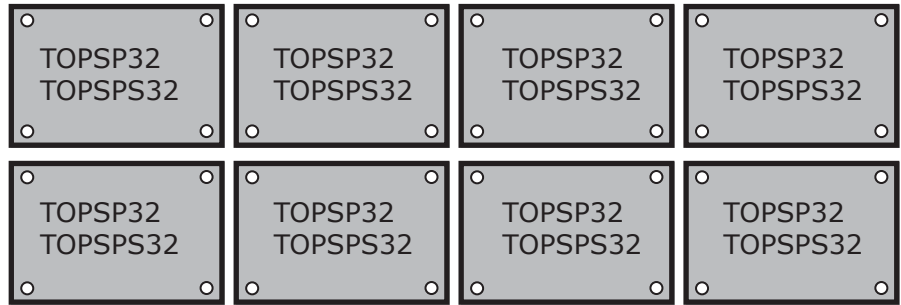
Design Toolkit



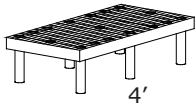
Storage Platforms Grid/Solid 24" WIDE



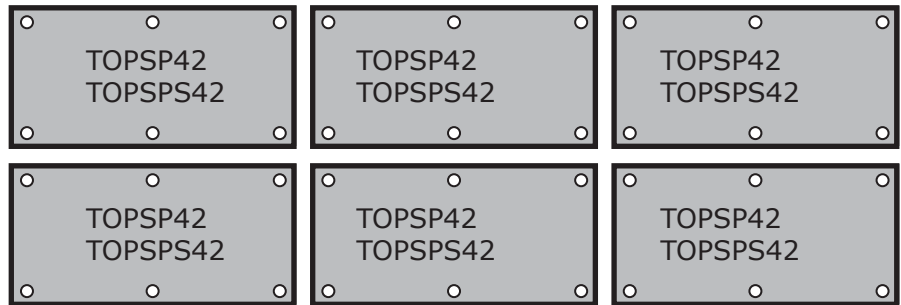
TOPSP32
TOPSPS32
(Available in Solid Top)



Cut for use with Topshelf toolkit.



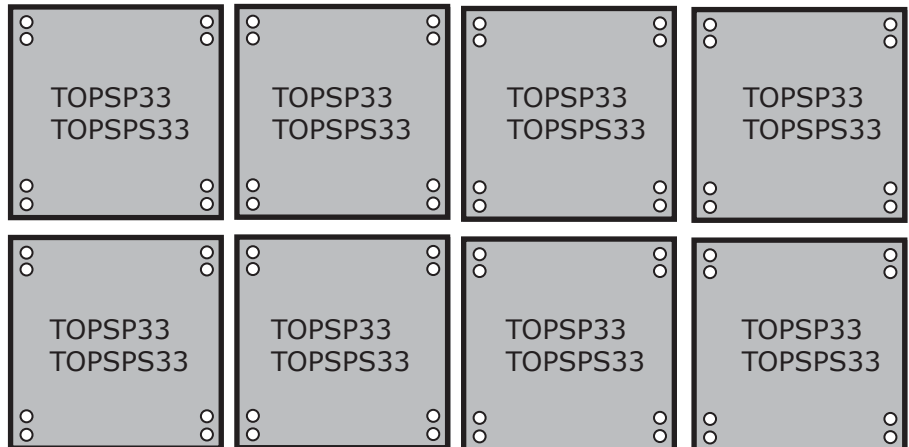
TOPSP42
TOPSPS42
(Available in Solid Top)



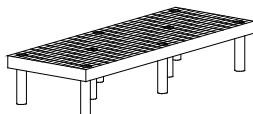
Cut for use with Topshelf toolkit.



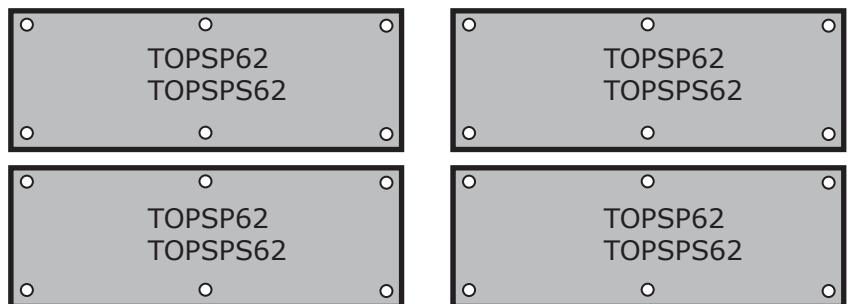
TOPSP33
TOPSPS33
(Available in Solid Top)



Cut for use with Topshelf toolkit.



TOPSP62
TOPSPS62
(Available in Solid Top)

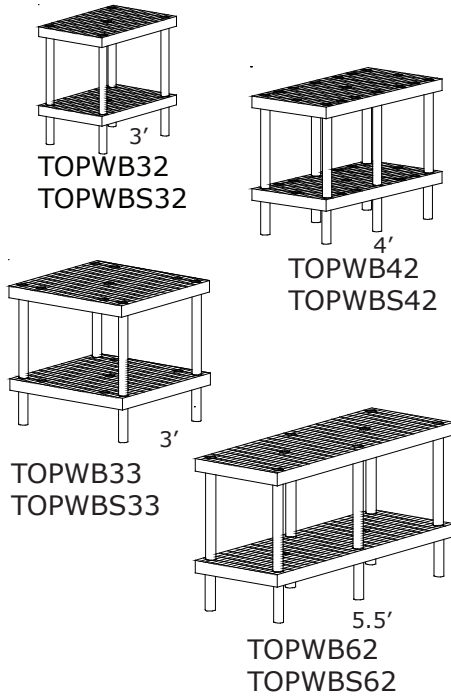


Cut for use with Topshelf toolkit.

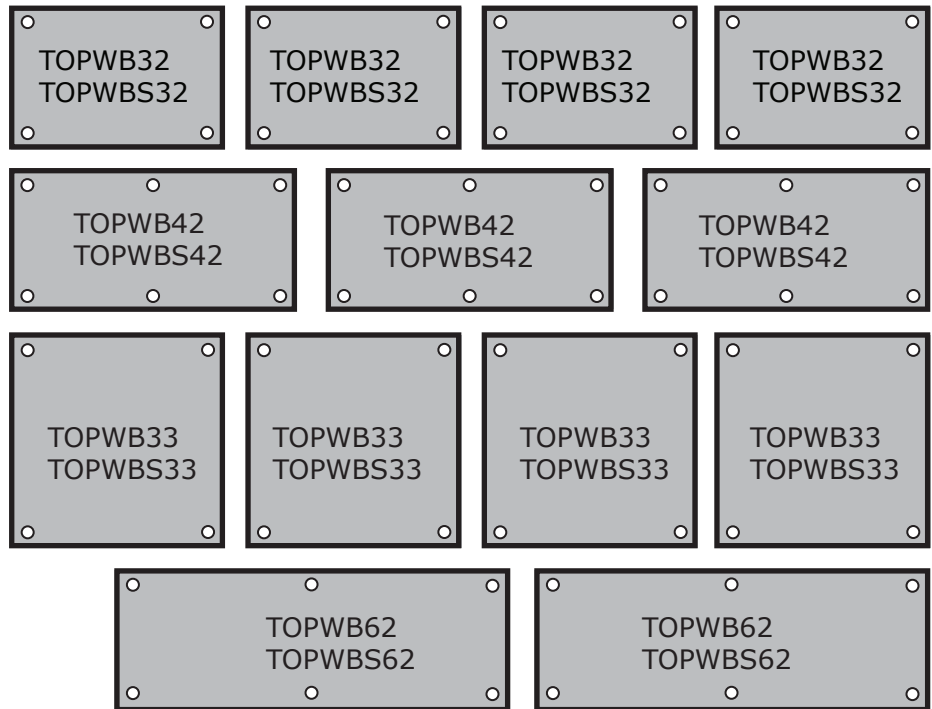
Design Toolkit



Work Benches



(Available in Solid Top)



Cut for use with Topshelf toolkit.

Containment Trays



TOPCTBLACK
TOPCTBLUE
TOPCTRED
TOPCTWHITE
TOPCTYELLOW



TOPCTBLACK
TOPCTBLUE
TOPCTRED
TOPCTWHITE
TOPCTYELLOW



TOPCTBLACK
TOPCTBLUE
TOPCTRED
TOPCTWHITE
TOPCTYELLOW



TOPCTBLACK
TOPCTBLUE
TOPCTRED
TOPCTWHITE
TOPCTYELLOW



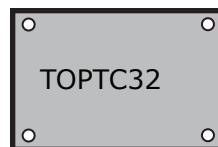
TOPCTBLACK
TOPCTBLUE
TOPCTRED
TOPCTWHITE
TOPCTYELLOW

Cut for use with topshelf tool kit.

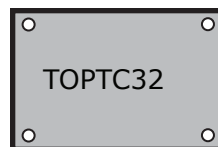
Long Handled Tool Cart



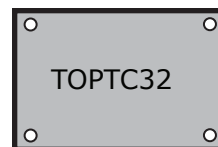
TOPTC32



TOPTC32



TOPTC32



TOPTC32



TOPTC32

Cut for use with Topshelf toolkit.

Scale 3/8" = 1'-0" (1 box = 1 square foot)

