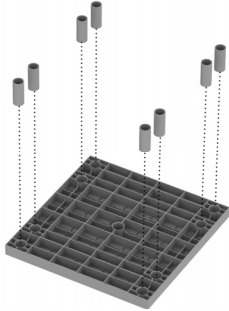




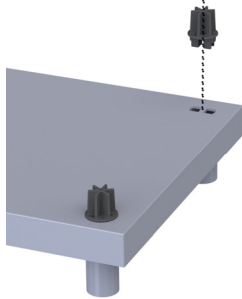
Step 1

Fully insert **6 Inch Legs** into sockets on the bottom of the **Panel**



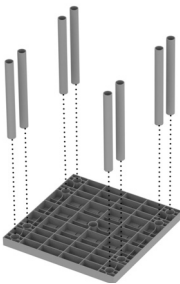
Step 2

Insert **Internal Leg Connectors** into sockets on top of the **Panel**



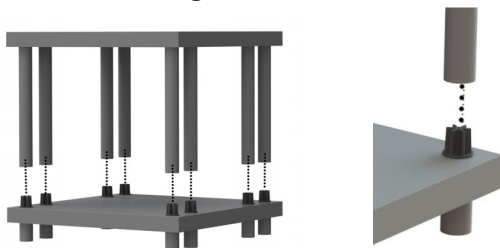
Step 3

Fully insert **24 Inch Legs** into sockets on the bottom of additional **Panel**

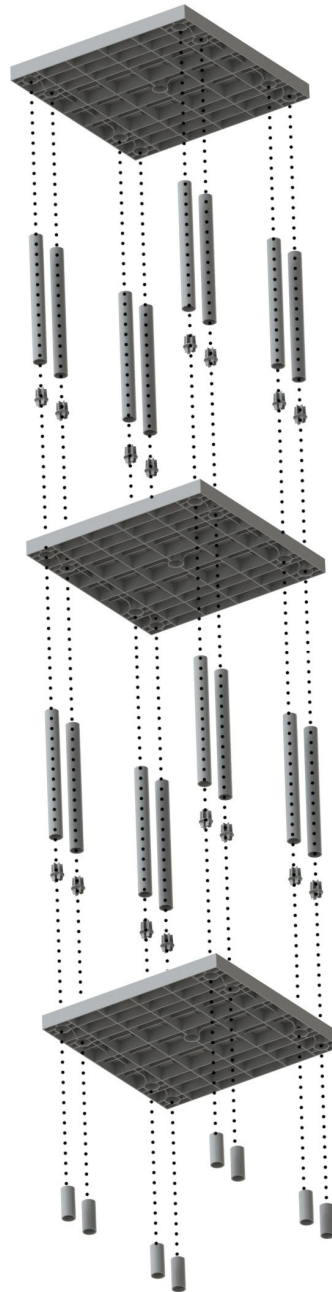


Step 4

Place second level over first level, inserting **Internal Leg Connectors** into legs



Exploded View



Items List



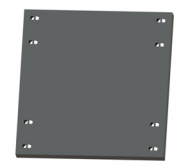
Internal Leg Connector



6 Inch Leg



24 Inch Leg



Panel

Step 5

Repeat

Repeat Steps 2 through 4 for each additional shelf level
(Available for TOP333 only)

Complete