

SAVE IMPORTANT PAPERS

**USA 1HP WITH GUIDE: SCHEMATIC, ACCESSORIES AND DIAMOND BLADES**



BODI COMPANY INC.  
5530 COMMERCIAL BLVD.  
WINTER HAVEN, FL. 33880  
PH. 863.551.3388  
FAX. 863.551.3399

BODI COMPANY, INC.

REPLACEMENT DIAMOND BLADES

PH. 863.551.3388  
FAX. 863.551.3399

**USA 1 H.P. Guide Attachment.**



Part No.	Description	Price
80-1HPG	1 H.P. Motor, Guide and Blade	

**REPLACEMENT DIAMOND BLADES**

Part No.	Description	Length
73MC2B1	2" X 3/32" X 3/8" Mounted C.R.	3 1/4"
72MC2B14	2" X 3/32" X 3/8" Mounted C.R.	4"



Part No.	Description	Length
73MS2B1	2" X 3/32" X 3/8" Mounted S.S.	3 1/4"
72MS2B14	2" X 3/32" X 3/8" Mounted S.S.	4"

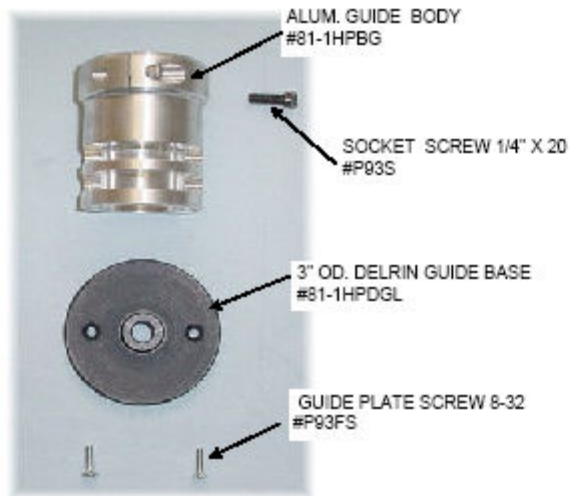


BODI COMPANY, INC.  
5530 COMMERCIAL BLVD.  
WINTER HAVEN, FL 33880

BODI COMPANY, INC.

PH. 863.551.3388  
FAX. 863.551.3399

USA 1 HP WITH GUIDE ATTACHMENT PARTS

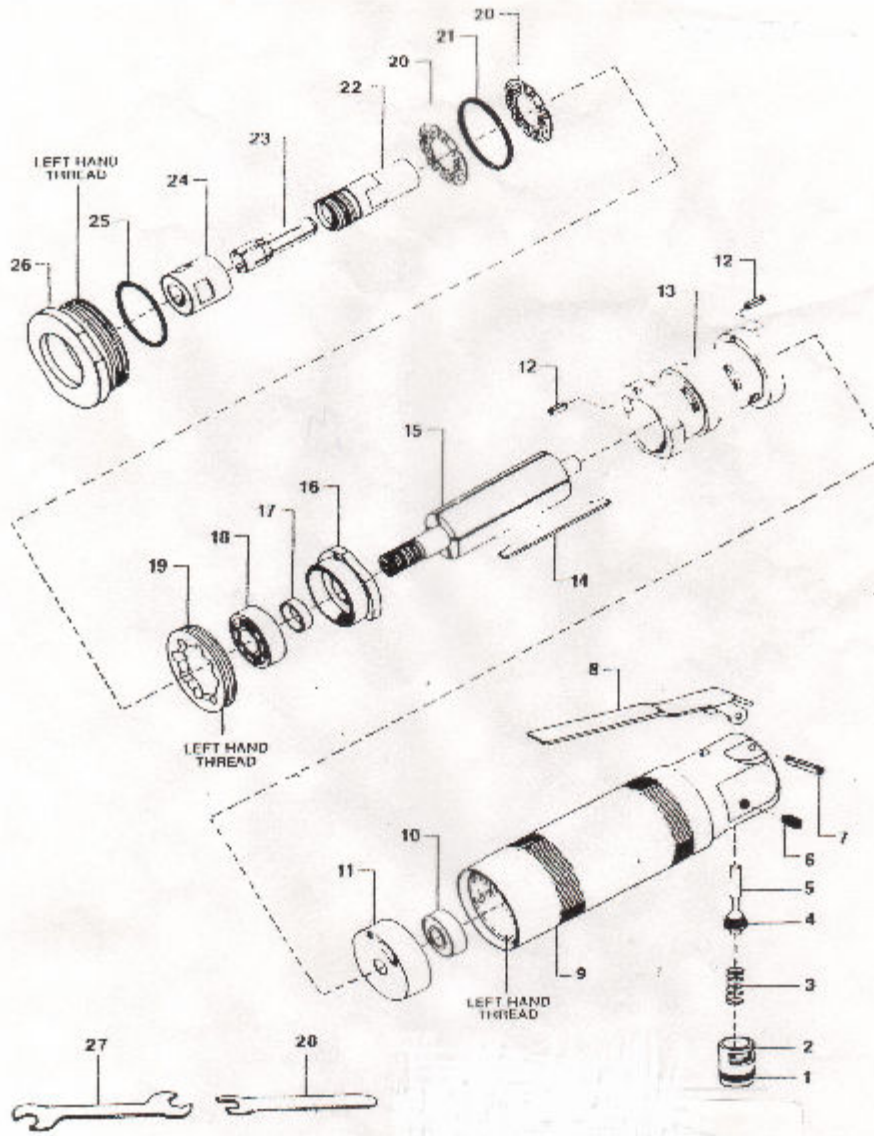


**NOT SHOWN**

2 1/2" OD. DELRIN GUIDE BASE FOR 1 1/2" MOUNTED WHEEL  
#81-1HPDGS

BODI COMPANY, INC.  
5530 COMMERCIAL BLVD.  
WINTER HAVEN, FL. 33880

SCHEMATIC: USA 1 HP AIR MOTOR



BODI COMPANY, INC.

USA PARTS PRICING

PH. 863.551.3388  
FAX. 863.551.3399

<b>USA 1 H.P. PARTS PRICING</b>
---------------------------------

<i>NO.</i>	<i>BODI PART NO.</i>	<i>DESCRIPTION</i>	<i>QTY</i>	<i>MFG PART NO.</i>
1	93-01	O RING	1	G-3001
2	93-02	CAP REGULATOR	1	G-3180
3	93-03	SPRING THROTTLE VALVE	1	G-3181
4	93-04	O RING	1	G-3083
5	93-05	VALVE THROTTLE	1	G-3179
6	93-06	SCREW-SET	1	G-3193
7	93-07	PIN THROTTLE LEVER	1	G-3089
8	93-08	LEVER THROTTLE	1	G-3777
9	93-09	HOUSING MOTOR	1	G-3649
10	93-10	BEARING-BALL	1	G-3412
11	93-11	PLATE REAR END	1	G-3182
12	93-12	PIN-LINER	2	G-3791
13	93-13	LINER	1	G-3183
14	93-14	BLADE-ROTOR	4	G-3191
15	93-15	ROTOR	1	G-3184
16	93-16	PLATE-FRONT END	1	G-3185
17	93-17	SPACER- BEARING	1	G-3192
18	93-18	BEARING-BALL	1	G-3326
19	93-19	NUT CLAMP	1	G-3187
20	93-20	WASHER NOISE RED.	2	G-3859
21	93-21	O RING	1	G-3515
22	93-22	SHANK	1	G-3256
23	93-23	COLLET 1/4"	1	G-3729
23	93-23A	COLLET 3/8"	1	G-3729
24	93-24	NOSEPIECE- COLLET	1	G-3255
25	93-25	O-RING	1	G-3740
26	93-26	NUT PROTECTION	1	G-3749
27	93-27	WRENCH-OPEN END	1	G-3327
28	93-28	WRENCH-COLLET	1	G-3858

BODI COMPANY, INC.  
5530 COMMERCIAL BLVD. WINTER HAVEN, FL.33880