

SAVE IMPORTANT PAPERS

SE 20 RR ROUTER: SCHEMATIC, ACCESSORIES AND DIAMOND BITS



BODI COMPANY INC.
5530 COMMERCIAL BLVD.
WINTER HAVEN, FL. 33880
PH. 863.551.3388
FAX. 863.551.3399

BODI COMPANY, INC.

REBATING ROUTERS

PH. 863.551.3388
FAX 863.551.3399

SE 20 1 H.P. REBATING ROUTER

When used with rebating router bits, the adjustable guide allows a large range of rebates to be machined quickly. Will backface inside of a part that is straight or has a radius.



| Part No. | Description |
|----------|---|
| 80-SE20 | 25,000 RPM Backfacing or Thickness Unit w/ Guide For Radius |

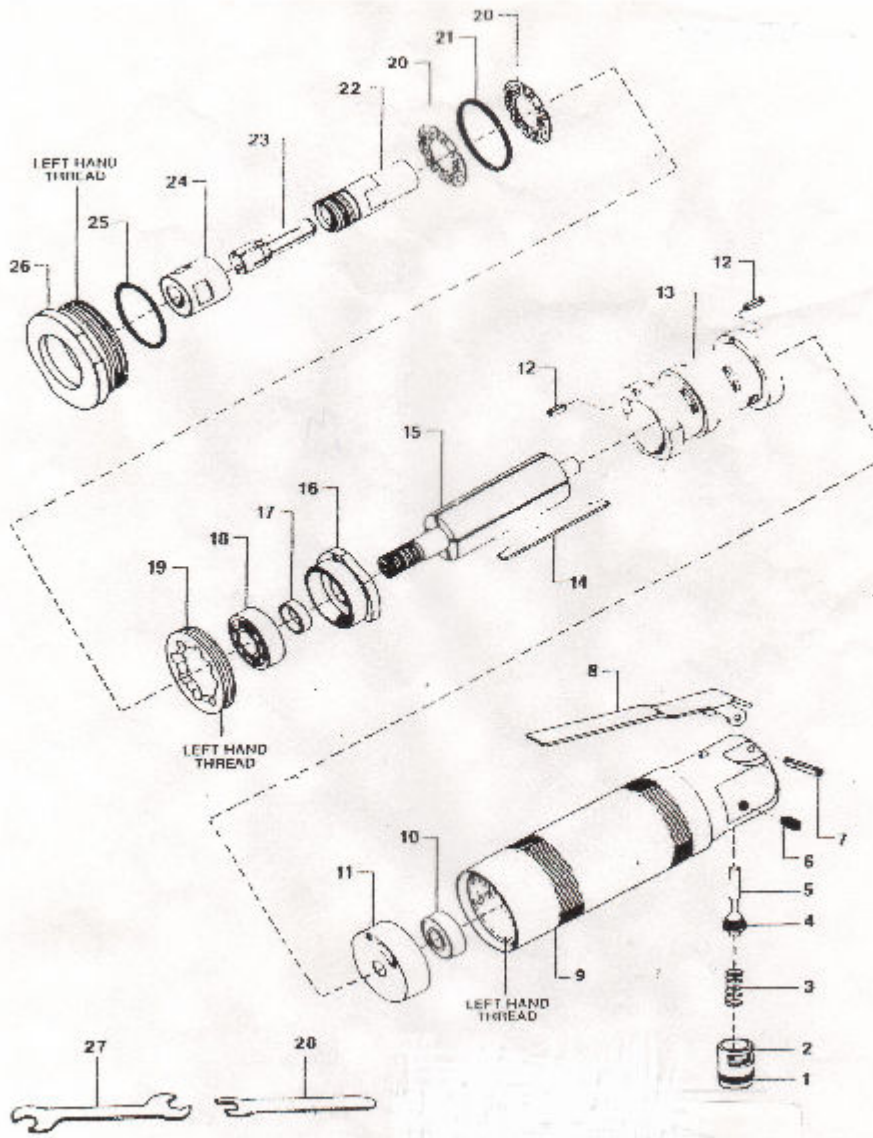
DIAMOND COATED REBATING ROUTERS



| | | Depth Of Backface | Grit |
|------------|------------------------------|---------------------------------|-------|
| 73-RR19354 | 19 x 35 MM Diamond R. R. Bit | 1 ¹ / ₄ " | 40-50 |
| 73-RR1944 | 19 x 44 MM Diamond R. R. Bit | 1 ¹ / ₂ " | 40-50 |
| 73-RR1957 | 19 x 57 MM Diamond R. R. Bit | 1 ³ / ₄ " | 40-50 |
| 73-RR1963 | 19 x 63 MM Diamond R. R. Bit | 2" | 40-50 |

BODI COMPANY, INC.
5530 COMMERCIAL BLVD.
WINTER HAVEN, FL 33880

SCHEMATIC: USA 1 HP AIR MOTOR



BODI COMPANY, INC.

USA PARTS PRICING

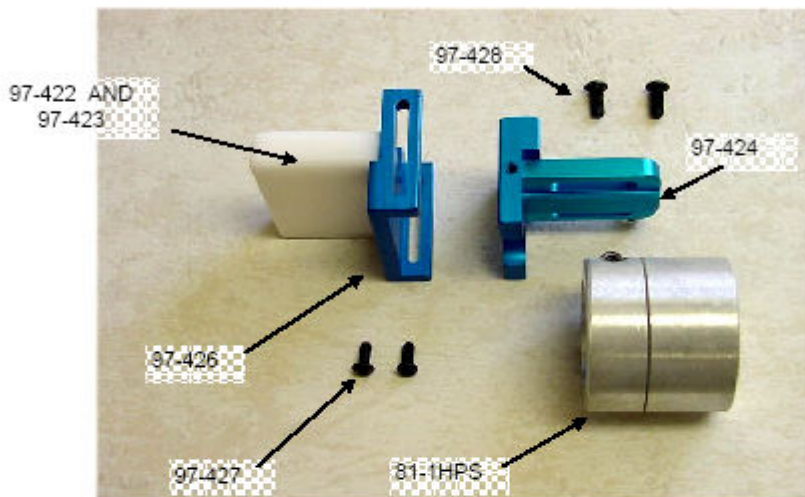
PH. 863.551.3388

FAX. 863.551.3399

USA 1 H.P. PARTS PRICING

| <i>NO.</i> | <i>BODI PART NO.</i> | <i>DESCRIPTION</i> | <i>QTY</i> | <i>MFG PART NO.</i> |
|------------|--------------------------|-----------------------|------------|-------------------------|
| 1 | 93-01 | O RING | 1 | G-3001 |
| 2 | 93-02 | CAP REGULATOR | 1 | G-3180 |
| 3 | 93-03 | SPRING THROTTLE VALVE | 1 | G-3181 |
| 4 | 93-04 | O RING | 1 | G-3083 |
| 5 | 93-05 | VALVE THROTTLE | 1 | G-3179 |
| 6 | 93-06 | SCREW-SET | 1 | G-3193 |
| 7 | 93-07 | PIN THROTTLE LEVER | 1 | G-3089 |
| 8 | 93-08 | LEVER THROTTLE | 1 | G-3777 |
| 9 | 93-09 | HOUSING MOTOR | 1 | G-3649 |
| 10 | 93-10 | BEARING-BALL | 1 | G-3412 |
| 11 | 93-11 | PLATE REAR END | 1 | G-3182 |
| 12 | 93-12 | PIN-LINER | 2 | G-3791 |
| 13 | 93-13 | LINER | 1 | G-3183 |
| 14 | 93-14 | BLADE-ROTOR | 4 | G-3191 |
| 15 | 93-15 | ROTOR | 1 | G-3184 |
| 16 | 93-16 | PLATE-FRONT END | 1 | G-3185 |
| 17 | 93-17 | SPACER- BEARING | 1 | G-3192 |
| 18 | 93-18 | BEARING-BALL | 1 | G-3326 |
| 19 | 93-19 | NUT CLAMP | 1 | G-3187 |
| 20 | 93-20 | WASHER NOISE RED. | 2 | G-3859 |
| 21 | 93-21 | O RING | 1 | G-3515 |
| 22 | 93-22 | SHANK | 1 | G-3256 |
| 23 | 93-23 | COLLET 1/4" | 1 | G-3729 |
| 23 | 93-23A | COLLET 3/8" | 1 | G-3729 |
| 24 | 93-24 | NOSEPIECE- COLLET | 1 | G-3255 |
| 25 | 93-25 | O-RING | 1 | G-3740 |
| 26 | 93-26 | NUT PROTECTION | 1 | G-3749 |
| 27 | 93-27 | WRENCH-OPEN END | 1 | G-3327 |
| 28 | 93-28 | WRENCH-COLLET | 1 | G-3858 |

BODI COMPANY, INC.
5530 COMMERCIAL BLVD. WINTER HAVEN, FL.33880

SE20 REBATING ATTACHMENT
PARTS LIST

| <i>PART NO</i> | <i>DESCRIPTION</i> | <i>PER TOOL</i> |
|-----------------|--------------------------------------|-----------------|
| 97-422 | DELFIN GUIDE PLATE | 1 |
| 97-423 | DELFIN GUIDE PLATE, LARGE | 1 |
| 97-424 | TOP SLIDE | 1 |
| 97-426 | SOLE PLATE W/ DELFIN | 1 |
| 97-427 | 10-32 BUTTON SOCKET SCREW | 2 |
| 97-428 | 1/4 x 20 BUTTON SOCKET SCREW | 2 |
| 97-436RA | COMPLETE ASSEMBLY | 1 |
| 81-1HPS | RA ADAPTOR SLEEVE (sold separate) | 1 |