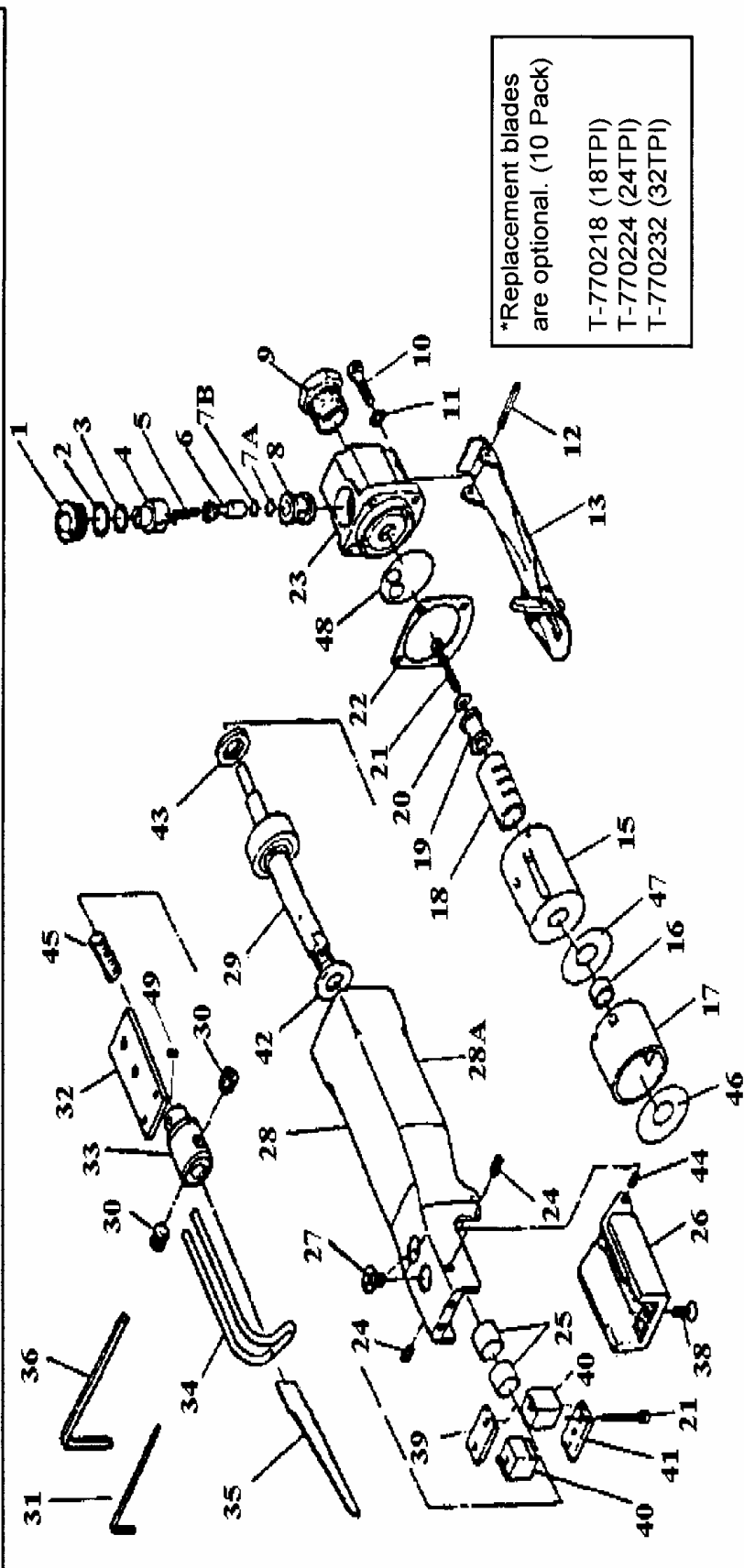


80-T7702
Mini Reciprocating Saw



*Replacement blades
are optional. (10 Pack)
T-770218 (18TPI)
T-770224 (24TPI)
T-770232 (32TPI)

BODI COMPANY, INC.

T-7702 Mini Saw Parts List

PH. 863.551.3388
FAX 863.551.3399

Ref #	Part No.	Description	Per Tool
1	94-770201	Valve Screw	1
2	94-770202	"O" Ring	1
3	94-770203	"O" Ring	1
4	94-770204	Air Regulator	1
5	94-770205	Valve Spring	1
6	94-770206	Valve Stem	1
7A	94-770207A	"O" Ring	1
7B	94-770207B	"O" Ring	1
8	94-770208	Valve Bushing	1
9	94-770209	Inlet Bushing	1
10	94-770210	Cap Screw	4 set
11	94-770211	Washer	4 set
12	94-770212	Lever Pin	1
13	94-770213	Throttle Lever Assembly	1
15	94-770215	Valve Case	1
16	94-770216	Bush	1
17	94-770217	Cylinder	1
18	94-770218	Valve Sleeve	1
19	94-770219	Actuating Valve	1
20	94-770220	Washer	1
21	94-770221	Cap Screw	3 set
22	94-770222	Gasket	1
23	94-770223	Valve Block	1
24	94-770224	Set Screw	2 set
25	94-770225	Bush	2 set
26	94-770226	Chuck Cover	1
27	94-770227	Screw	2 set
28	94-770228	Housing	1
28A	94-770228A	Plastic Wrap	1
29	94-770229	Piston Assembly	1
30	94-770230	Set Screw	2 set
31	94-770231	Service Wrench	1
32	94-770232	Guide Plate	1
33	94-770233	Blade Chuck	1
34A	94-770234A	Work Guide	1
34B	94-770234B	Work Guide	1
36	94-770236	Service Wrench	1
38	94-770238	Screw	1
38A	94-770238A	Retaining Ring	1
39	94-770239	Upper Wear Shoe	1
40	94-770240	Blade Guide	2 set

BODI COMPANY, INC.
5530 COMMERCIAL BLVD.
WINTER HAVEN, FL 33880

BODI COMPANY, INC.
5530 COMMERCIAL BLVD.
WINTER HAVEN, FL. 33880