

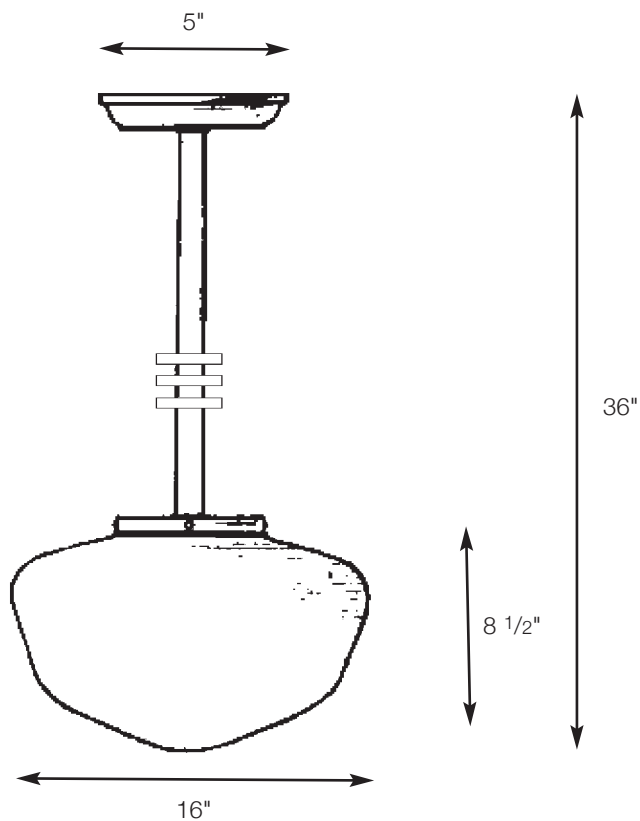


Tel: 626-246-1094 • 800.414.5109 • Fax: 626-443-0267

SPECIFICATION SHEET

DL-PM9000

Pendant



- MODEL:** DL-PM9000
MATERIAL : Solid Brass or Steel
FINISH : Specify
ELECTRICAL : 120v - 277v
SOCKET : Specify
LAMP : Fluorescent, HID, Incandescent

Stainless steel requires regular cleaning and maintenance, much like household appliances, to maintain its luster and to prevent tarnishing or the appearance of rust like stains.



DRAWN BY: MMC

BASE DESIGN: SPJ

DATE: 01-10-10

SPJ LIGHTING INC.

2107 Chico Avenue
South El Monte, CA 91733
(800) 469-3637 FAX: (626) 433-4839