



**Thank you for purchasing Big Orange.
I hope it brings you years of faithful service.**

Before you begin assembling and installing Big Orange, please inspect the contents of the box to be sure you have everything that is listed below:

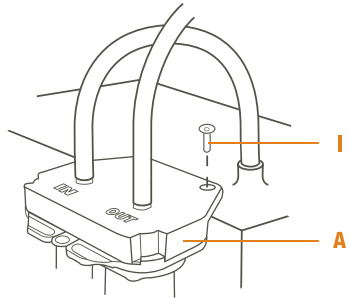
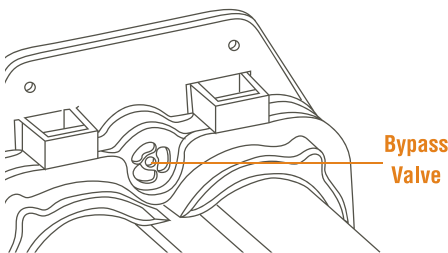
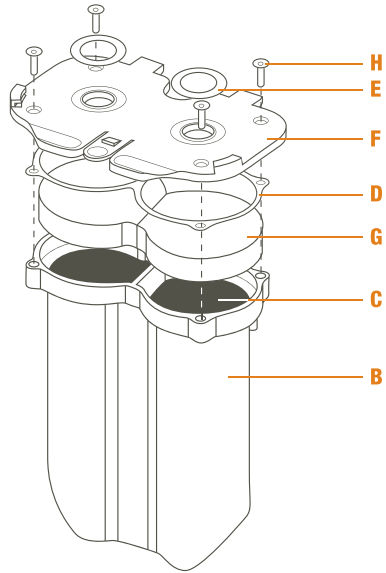
- A.** Big Orange Filter Base
- B.** Big Orange Cartridge Housing
- C.** Big Orange Filter Medium Bag

Big Orange Gasket Set includes:

- D.** Large Gasket
- E.** Two (2) small Gaskets
- F.** Big Orange Cartridge Plate
- G.** Two (2) Big Orange Filter Screens

Big Orange Fastener Set includes:

- H.** Four (4) M5 x 16mm screws
- I.** Two (2) #10 x 3/4" screws



Parts and tools needed to complete a typical Big Orange installation:

Parts:

Two (2) 1" hose clamps
Piece 5/8" vent hose
(length will depend on Big Orange
mounting location selection)

Tools:

Phillips screw driver
Drill and .144" drill bit

Assembling Big Orange

1. Fill the Cartridge to the fill step with the contents of the Filter Medium bag.
2. Place one Filter Screen in each of the Cartridge openings.
3. Remove large gasket from the Gasket Set and place on top of the Cartridge.
4. Place the Cartridge Plate on top of the Cartridge and secure with the four smaller screws from the Fastener Set.
5. Remove the two smaller gaskets from the Gasket Set and place on top of the Cartridge Plate. Apply a small amount of grease or vaseline between the gasket and the plate to hold gasket in place if needed.
6. Slide Cartridge Plate into Filter Base.

Installing Big Orange

1. Find an appropriate location to mount Big Orange. (See Installation Tips)
2. Mark and drill the two holes needed to mount Big Orange.
3. Use the screws provided in the Fastener Set to mount Big Orange.
4. Measure the length of vent line needed to connect the holding tank outlet to the "IN" fitting on Big Orange
5. Disconnect the vent line from the holding tank outlet and reconnect to the "OUT" fitting on Big Orange.
6. Connect one end of the new vent line to the holding tank outlet and the other to the "IN" fitting on Big Orange.

Installation Tips

Although other locations can be used, Big Orange is designed to mount directly to the top face of the holding tank beside the vent outlet.

It's recommended that you only screw through the top of the holding tank and **use silicone sealer around the screws.**

The mounting location for Big Orange should be close to the vent outlet of your boat's holding tank.

To make refilling quick and easy, make sure there is enough space to remove the Cartridge from the Filter Base.

Be careful not to block the bypass valve outlet in the bottom of the Filter Base.

Be sure to leave a generous loop height when measuring the vent line to keep waste out of Big Orange.

Congratulations! You're done.

Here are a few things to keep in mind as you use and enjoy the Big Orange filter.

Don't allow your holding tank to overflow. If waste gets into Big Orange it will need to be cleaned out and refilled with fresh Filter Medium.

Big Orange should work for an entire season depending on use and conditions.

Refill kits are available where ever Big Orange products are sold or order online at www.bigorangefilter.com

For questions or concerns regarding Big Orange, please contact us at info@bigorangefilter.com