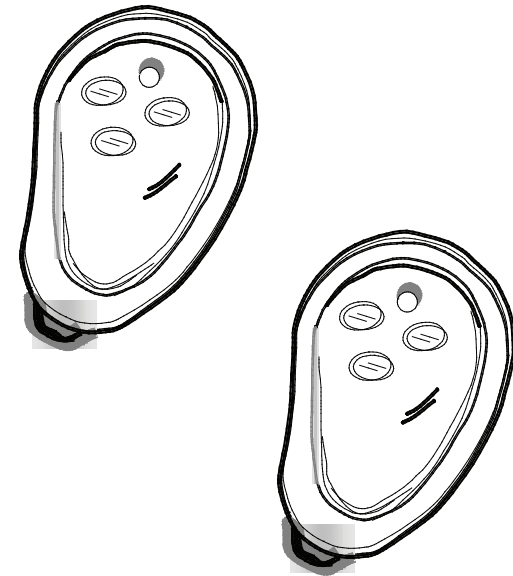
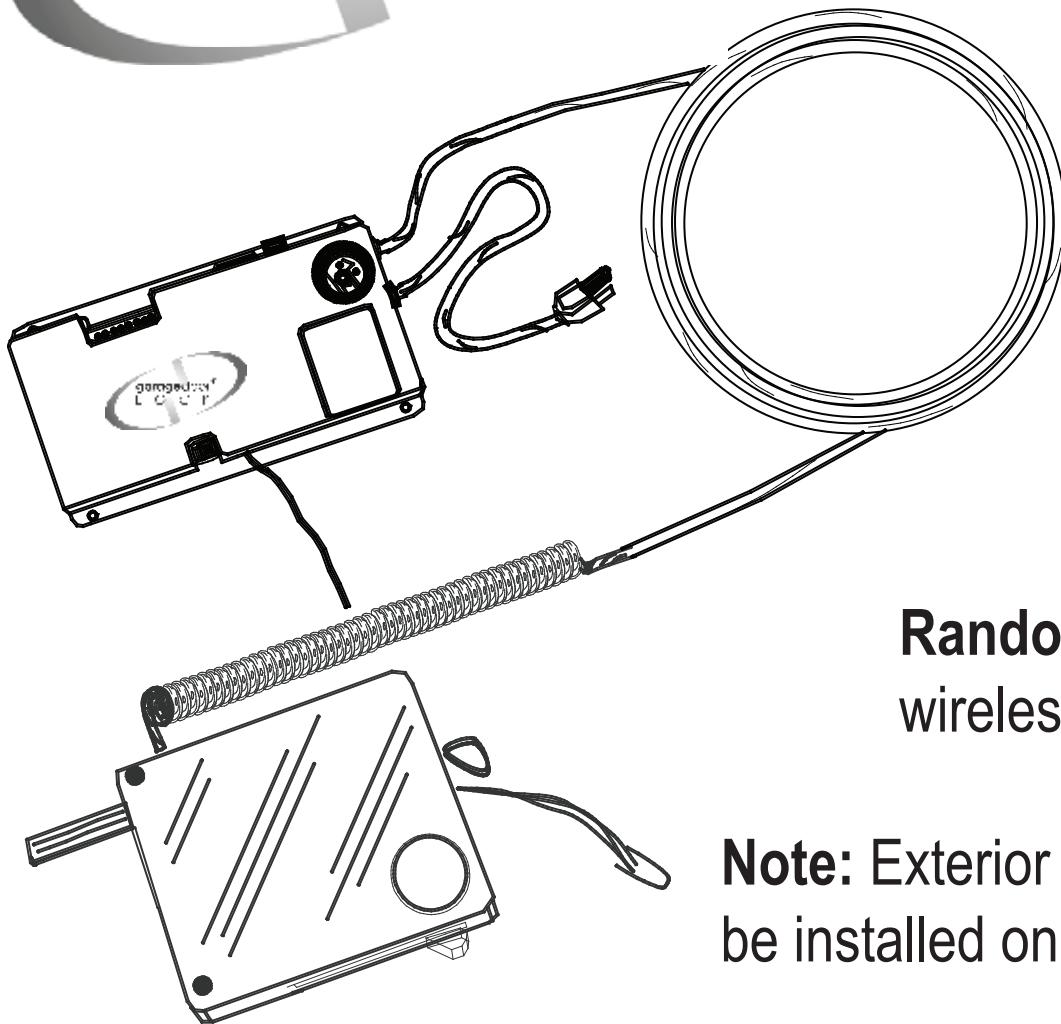




Installation and Operating Guide for the **garagedoor lock**

Pro-Series 125 A



Random-Code Remotes allow secure wireless control of the locking system

Note: Exterior Key Release, Pull Cable Kit, must be installed on single entry or vaulted garages.

Contents

Required Tools	6
Hardware Kit Contents	7
Step 1 Unpacking and Layout	8
Step 2 Preparing Door Operator	9
Step 3 Preparing Door	11
Step 4 Marking Door for Correct Lock-Head Position	12
Step 5 Mounting the Lock Head	13
Step 6 Making the Receiver Holes in the Track	14
Step 7 Mounting Plastic Bracket to Track	15
Step 8 Routing Wire	16
Step 9 Suspending Wire Harness From Header to Operator	17
Step 10 Support String	17
Step 11 Attaching Wire to String	17
Step 12 Mounting Electrical Control Box	18
Step 13 Making Wire Connections.	18
Step 14 Mounting Magnetic Door Switch	19
Step 15 Checking Clearances.	19
Step 16 Installing Red L.E.D.	20
Step 17 Powering Up	22
Step 18 Learning Remotes.	22
Step 19 Latch Door to Rail.	22
Step 20 Operational Check.	22
Normal Operating Instructions	23
Activating and Deactivating the Auto-Close and Lock Feature	24
Power Failure - Manual Lock Operation	25
Replacement Parts and Accessories	26
How to Change Batteries	27
Warranty Limitations and Guidelines	28
Troubleshooting	29
Troubleshooting Remotes	30
Troubleshooting Lock Control Box	31
Troubleshooting Lock Head	32
Troubleshooting Garage Door Operator Opening	33
Troubleshooting Garage Door Operator Closing	34

IMPORTANT INSTALLATION INSTRUCTION

! WARNINGS !

To reduce the risk of severe injury or death:

1. READ AND FOLLOW ALL INSTRUCTIONS AND WARNINGS.
2. Install garage door lock only on properly balanced and lubricated garage door. An improperly balanced door may not reverse when required and could result in SEVERE INJURY or DEATH.
3. All repairs if needed, to cables, spring assemblies and other hardware MUST be made by a trained door systems technician BEFORE installing the lock.
4. NEVER connect garage door lock to power source until instructed to do so.
5. NEVER wear watches, rings or loose clothing while installing or servicing lock or operator. They could be caught in garage door, lock, or operator mechanisms.
6. To prevent possible SERIOUS INJURY or DEATH: ALWAYS call a trained door systems technician if garage door binds, sticks, or is out of balance. An unbalanced garage door may not reverse when required.
7. ONLY operate garage door lock and operator at 110VAC 60HZ to avoid malfunction and damage.
8. Without a properly working safety reversal system, persons (particularly small children) could be SERIOUSLY INJURED or KILLED by a closing garage door.

Safety, Warnings and Cautions

9. To prevent INJURY from pinching, Keep hands, and fingers away from the joints while installing and testing the lock system on the garage door.

10. Review the SAFETY GUIDE in the operator owners manual

While installing the GARAGE DOOR LOCK use common sense. If you are unclear on the instructions or if you do not feel comfortable installing the lock system contact a qualified service technician.

FCC Guideline

Changes or modifications not expressly approved by Elocksys, Inc. could void the user's authority to operate the equipment.

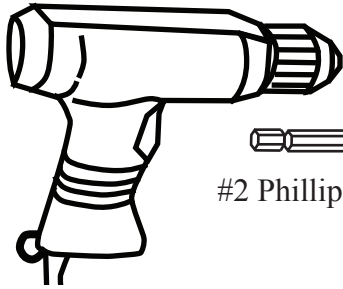
This product has been tested and complies with the specifications for a Class B digital device, pursuant to Part 15 of the FCC Rules. These limits are designed to provide reasonable protection against harmful interference in a residential installation. This equipment generates, uses, and can radiate radio frequency energy and, if not installed and used according to the instructions, may cause harmful interference to radio communications.

However, there is no guarantee that interference will not occur in a particular installation. If this equipment does cause harmful interference to radio or television reception, which is found by turning the equipment off and on, the user is encouraged to try to correct the interference by one or more of the following measures:

- Reorient or relocate the receiving antenna
- Increase the separation between the equipment or devices
- Connect the equipment to an outlet other than the receiver's
- Consult a dealer or an experienced radio/TV technician for assistance

Required Tools

Drill



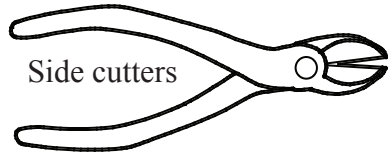
#2 Phillips Bit



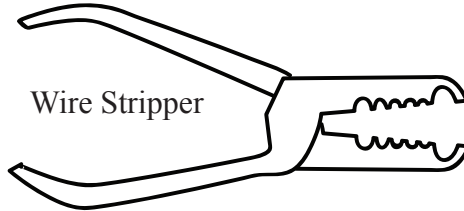
5/16", 3/8"* Drill bits



1/8" Drill bit



Side cutters



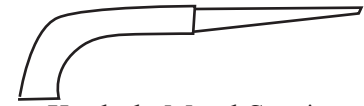
Wire Stripper



7/16" wrench



Medium metal file*



Keyhole Metal Saw*



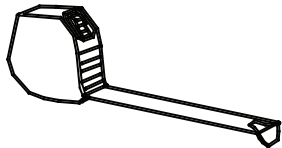
#2 Phillips screw driver



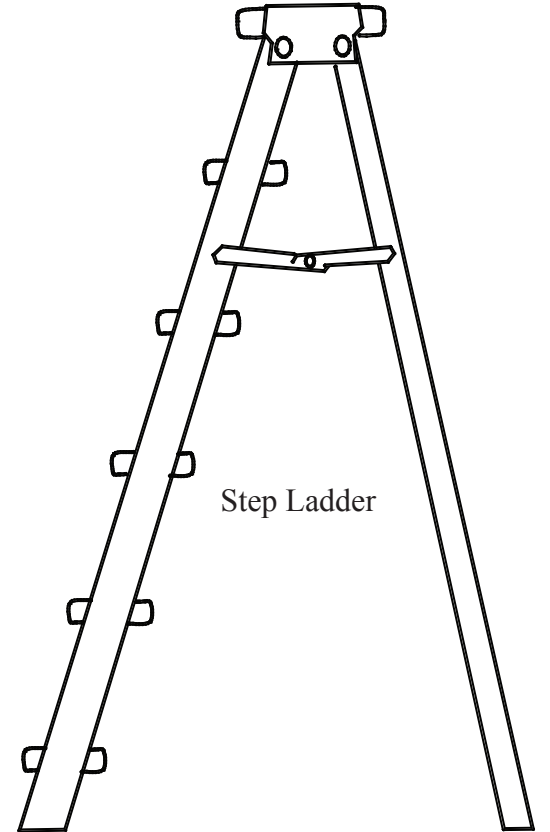
#0 Phillips screw driver



Pencil



16' Tape Measure



Step Ladder

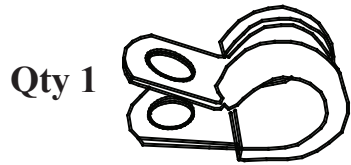
* Only needed to cut bolt hole.

Hardware Kit Contents

One hole strap for cable support



One hole strap for magnetic switch



7" Tie Strap



8 X 1 5/8" inch Drywall screw



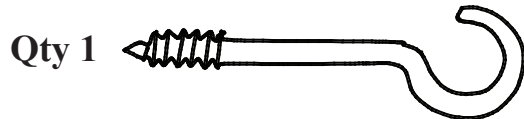
#12 X 3 inch pan head Phillips mounting screws



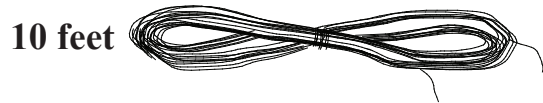
#6 X 3/4 inch pan head-Phillips (use with one hole straps)



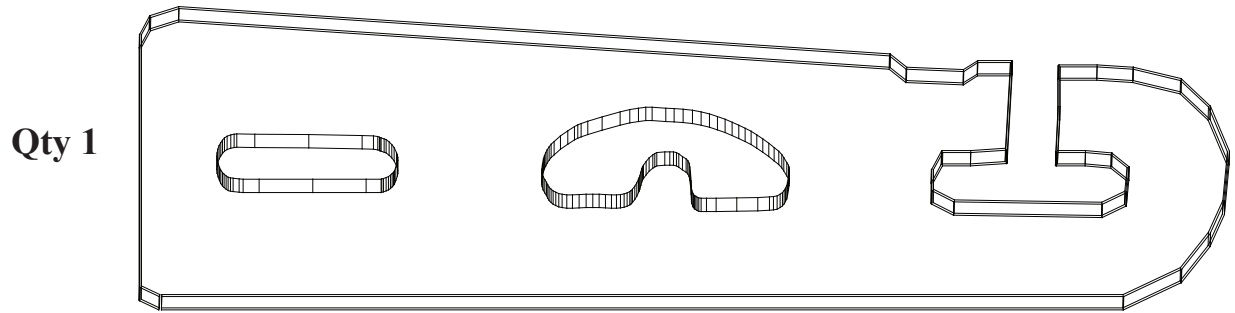
#8 X 2 inch screw hook



Nylon string



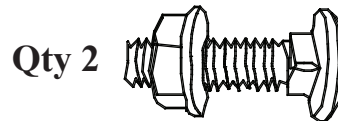
Plastic control wire bracket



4" Tie Strap



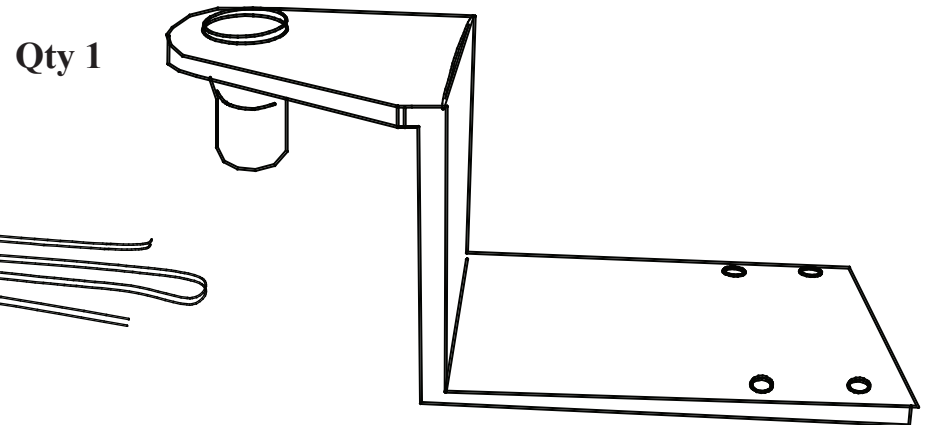
1" X 1/4" 20 Carriage Bolt and flange nuts for Plastic wire bracket



LED Socket



Plastic Magnet and Bracket



Bell switch wire

24 inches



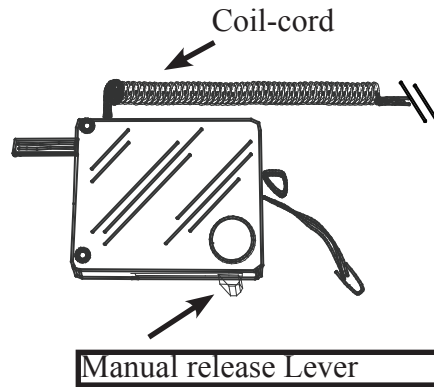
Step 1

Unpacking and Layout

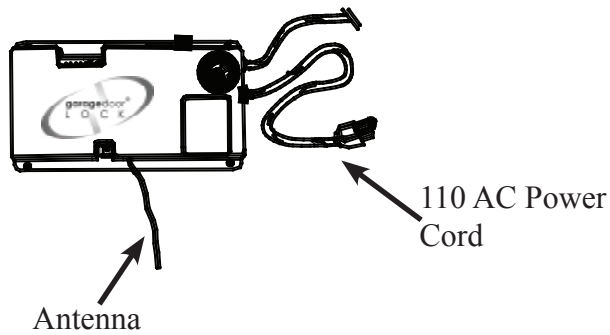
Unpack contents from box. Lay lock assembly on floor inside garage with door closed. Place the lock head on your left looking at the door from inside.

Stop and double check to see if you have the correct lock kit for your garage door (roll up) and operator (random or fixed code).

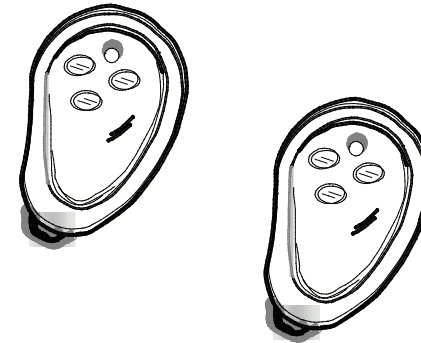
Lock Head



Control Box



Remote Controls



Preparing Door Operator

Caution: DO NOT MISS THIS STEP
Find all remotes to your current door operator!!!

DO THIS NOW !!!

FOLLOW THE INSTRUCTION BELOW. Failure to follow the instruction or disable the old remotes and keypads will result in a broken door, lock, operator, and may cause bodily injury.

Step 2

Preparing Door Operator

Random Code: Unlearn all remotes and keypads following the procedures from the manufacturers manual or on the door operator near the learn button.

Fixed: Remove all batteries from existing remotes, key pad and store away. Place these items in the RED bag supplied with kit.

CAUTION: YOU MUST NEVER ATTEMPT TO OPERATE THE GARAGE DOOR OPERATOR WITH YOUR OLD REMOTES OR KEY-PAD AS LONG AS THE LOCK IS INSTALLED ON THE GARAGE DOOR.

Such attempts will jam the lock and door resulting in damage to the door or possibly the door operator. See Warning Sheet.

DO NOT IGNORE OR BYPASS THIS STEP.

WARNING

DO NOT EVER USE THE OLD OPERATOR REMOTES OR KEY-PAD While the lock is installed on the door.

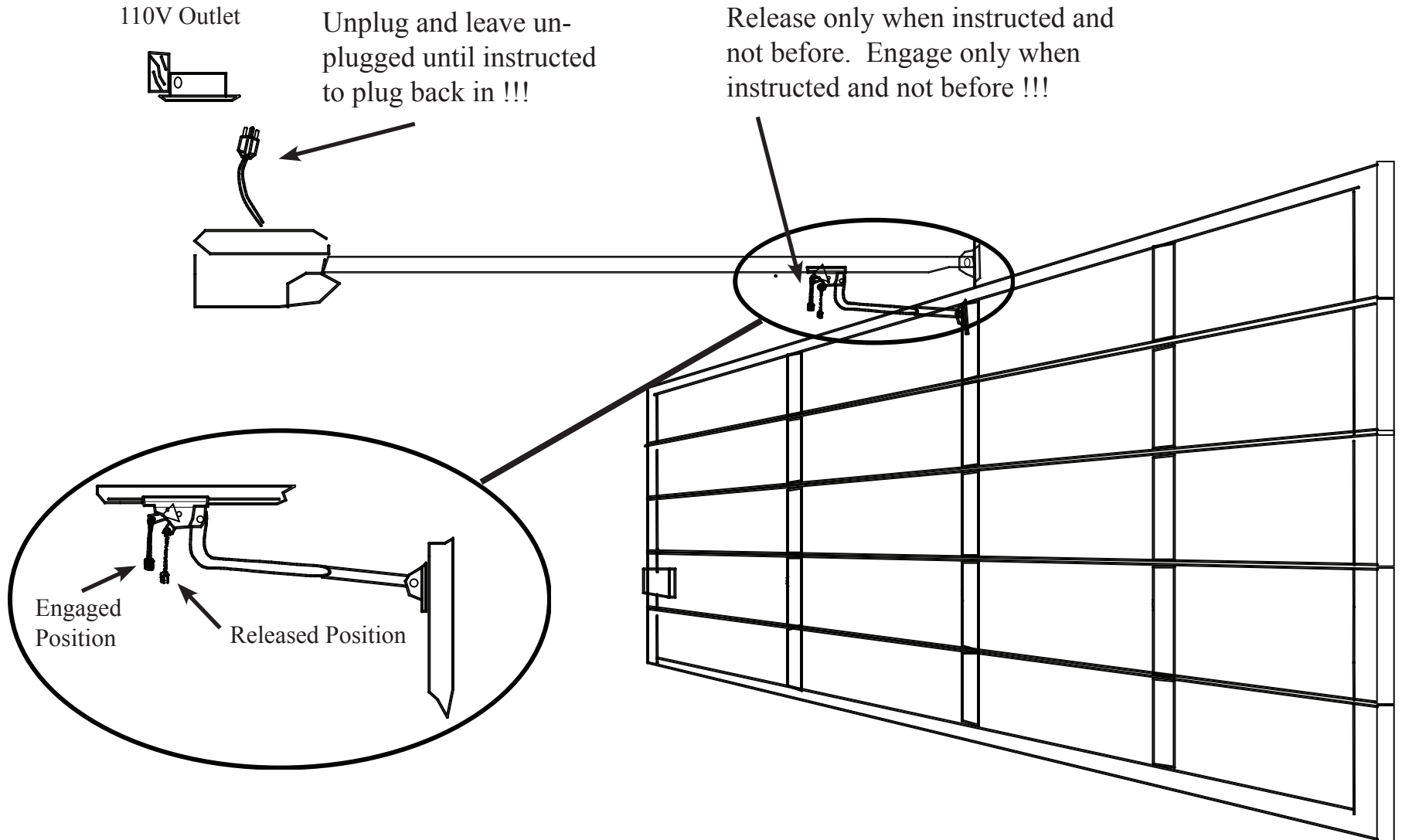


IF THE DOOR OPERATOR DOES NOT ACTIVATE TO OPEN WHEN THE WALL SWITCH, NEW KEYPAD OR NEW REMOTE BUTTONS ARE PRESSED, **DO NOT ATTEMPT TO USE THE OLD REMOTES, DO NOT ATTEMPT TO BYPASS THE WALL SWITCH OR CROSS CONNECT THE TERMINALS IN AN EFFORT TO TROUBLESHOOT THE OPERATOR**

THE LOCK MUST BE MANUALLY UNLOCKED AND THE OPERATOR RELEASE CORD OR LEVER MUST BE DISENGAGED BEFORE TROUBLESHOOTING STEPS ARE TAKEN

Preparing Door

Unplug garage door operator from 110 AC outlet. Do not pull release rope on operator until instructed to do so.

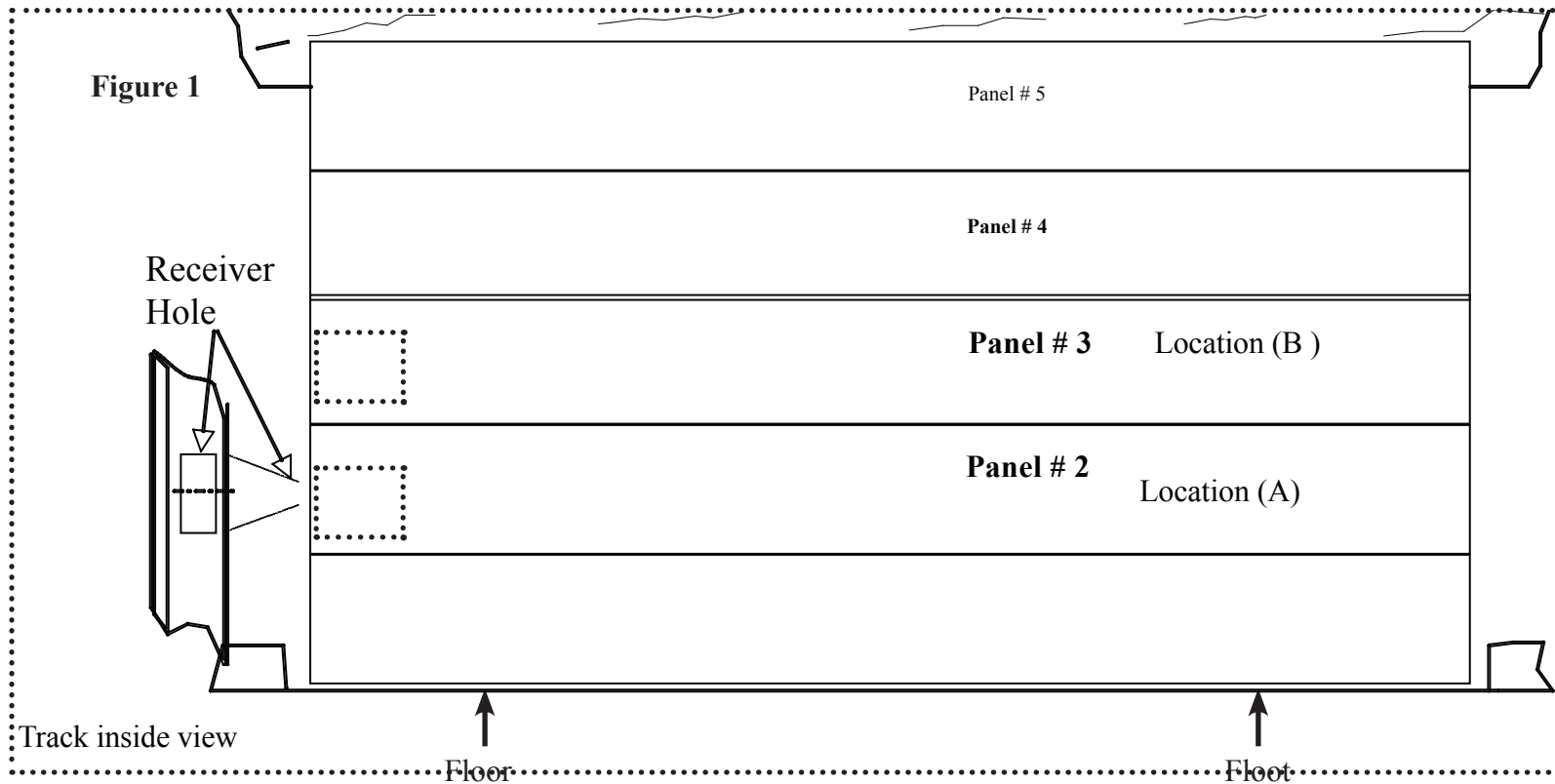


Step 4

Marking Door for Correct Lock-Head Position

Start with the garage door closed completely. Make marks on door as shown in figure 1. Note: counting up from the floor, panel 2 is used for doors with 4 panels, location (A) and panel 3 is used for doors with 5 panels, location (B). Note: Location of lock-heads on correct panel is important to avoid coil-cord overstretching. You should also find lock receiver holes or knock-outs in these locations on the door track.

Note: Not all tracks have pre-made holes. Tracks without holes will need holes cut out. See steps 5 and 6.



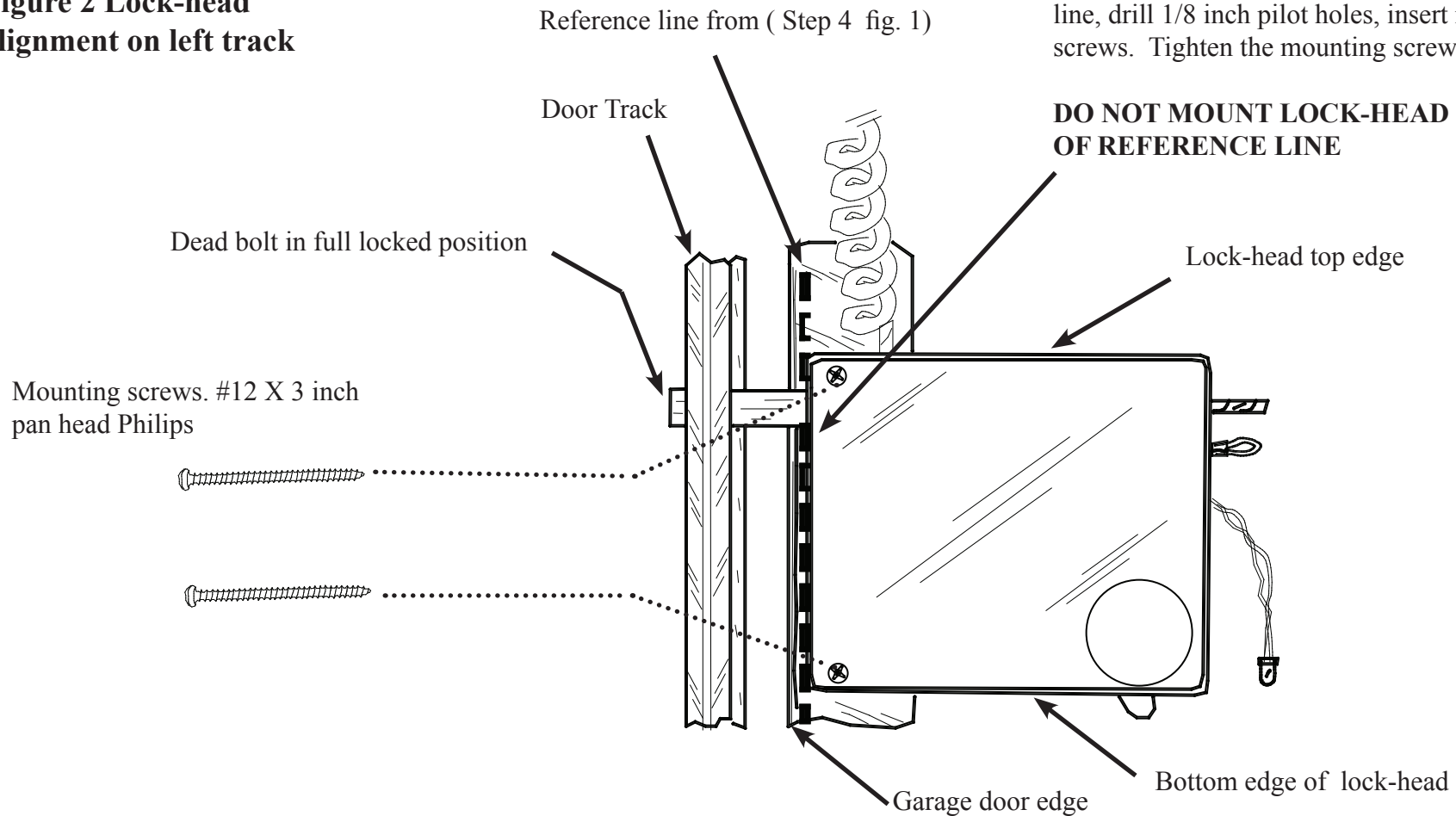
Mounting the Lock Head

First locate any existing lock receiver holes or pre-cut knock-outs in the door track. If none exist a receiver hole must be made on one side. Be careful when picking the lock-head location. Do not interfere with any hinges hardware etc. In the full lock position, insert dead bolt into receiver hole in track and center it vertically. If a hole needs to be cut after lock-head is mounted, manually extend the dead bolt until contact with the track is made. From center of the dead bolt, measure vertical 1"1/8" up, then down, make cut marks. From center of dead bolt measure horizontally to one side 5/8" and then to the other side, make cut marks. This will establish lock-head mounting height, see figure 2. Line up outer edge of lock-head to previously made mark in **step 4** . Now mount lock-head on door using 3 inch mounting screws supplied. **See figure 2.**

Figure 2 Lock-head alignment on left track

Position outer edge of lock-head at the reference line, drill 1/8 inch pilot holes, insert mounting screws. Tighten the mounting screws.

DO NOT MOUNT LOCK-HEAD OUTSIDE OF REFERENCE LINE



Step 6

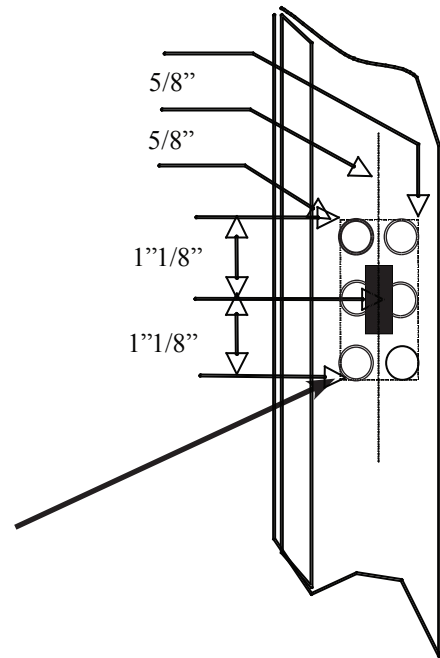
Making the Receiver Holes in the Track

Manually retract the dead bolt, pull release rope on operator to disengage door. Lift door manually and make receiver holes using marks made previously in step 5. See figure 3 below for details.

Close door and operate lock manually, look for the dead bolt to extend through the receiver hole. See figure 3. Be sure receiver hole is clean with no jagged edges. Use the file to clean up hole edges.

Figure 3 Lock-head alignment on left track

Ideal dead bolt to receiver alignment and clearance.



Suggestion for making receiver hole. Drill six - 3/8 inch diameter holes inside of your marks. Then cut between the hole and finish edges with a metal file. Do not leave bent or uneven edges.

Mounting Plastic Bracket to Track

Remove 2 bolts from track near top of door on left track. Mount bracket using bolts supplied. Reuse nuts see **Figure 4**. Stretch and attach wire as shown in **Figure 5**.

Figure 4 Attaching Plastic Wire Bracket to Garage Door Track

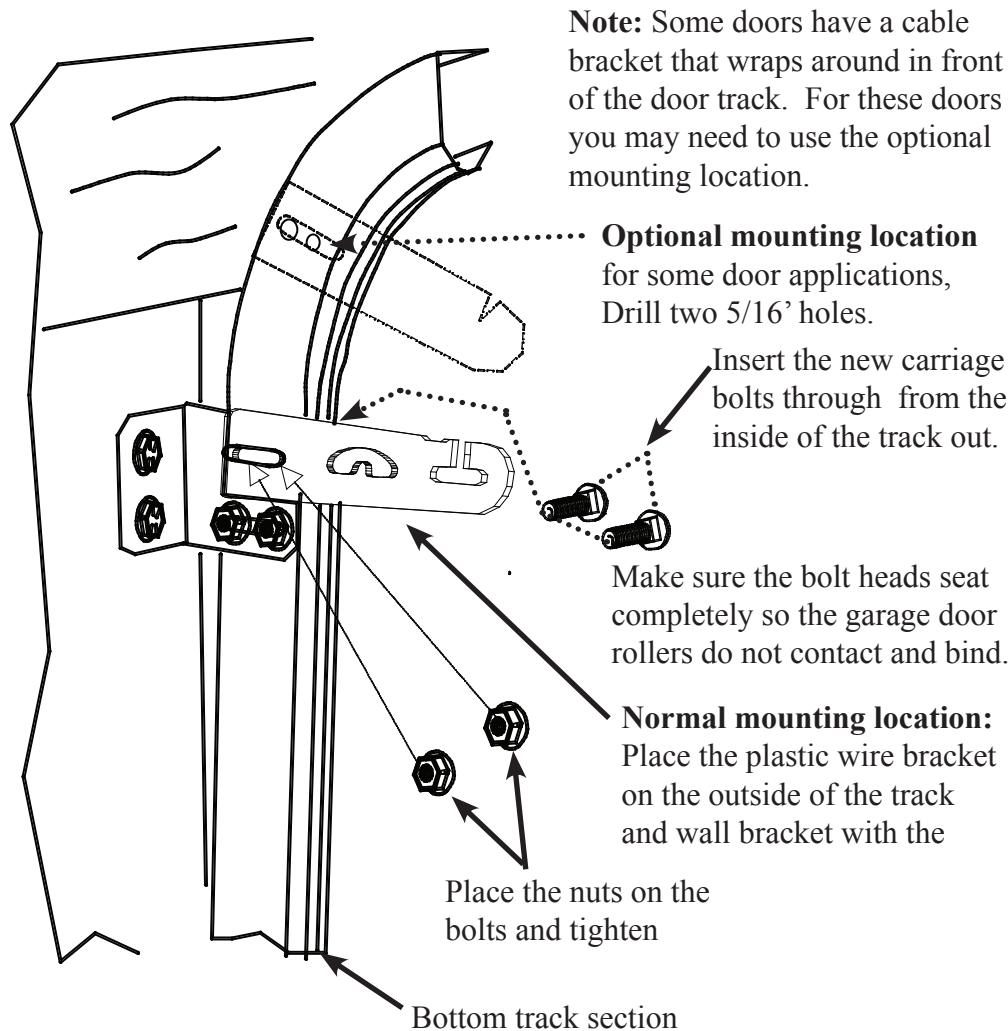
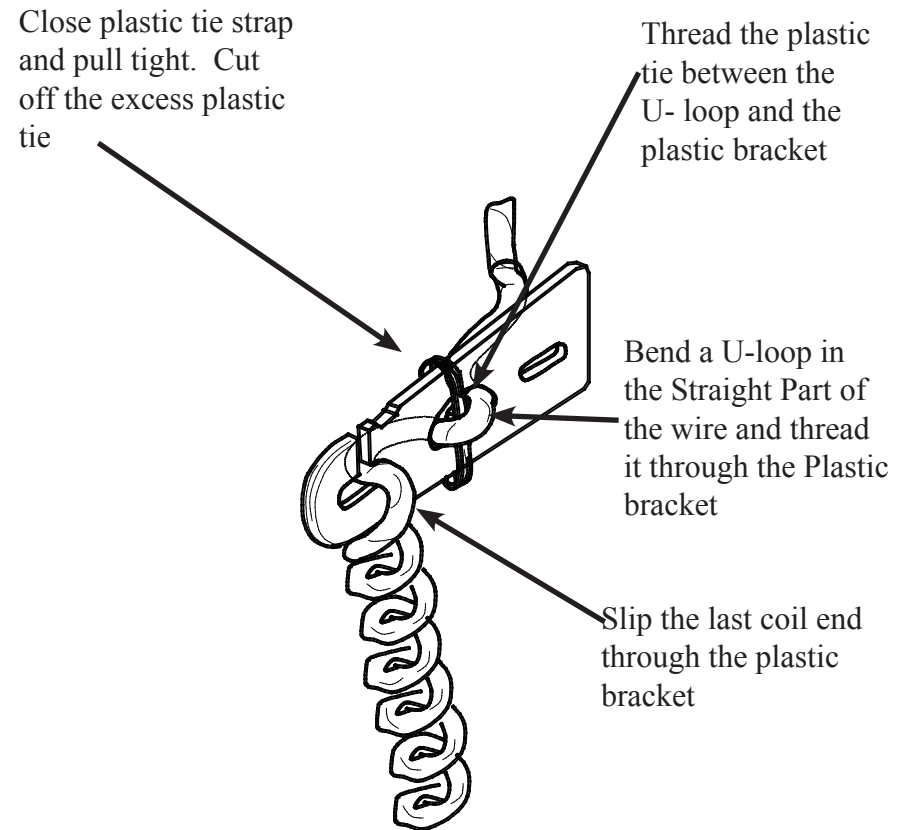


Figure 5 Attaching Wire To Plastic Bracket



Step 8

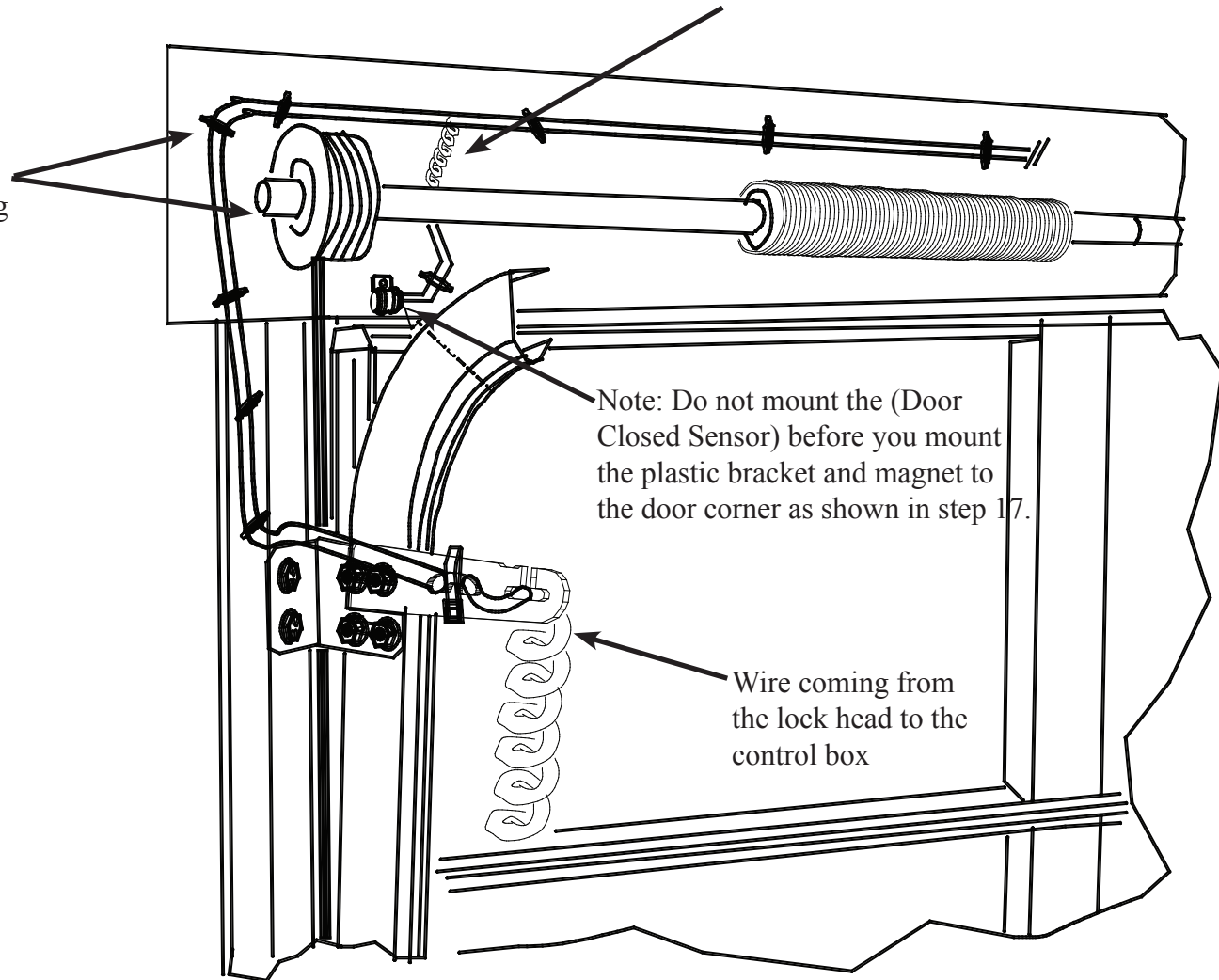
Routing Wire

Carefully route wire up the wall, around track and drum assembly. Fasten wire to header using four of the plastic one hole straps with 1 5/8" drywall screws supplied with with kit. Follow diagram for wire routing see figure 6.

Figure 6 Routing and attaching wire on the wall

Make sure to clear the drum and hardware but route wire over the shortest possible distance, making sure not to come up short at the control box.

Wrap the sensor wire around a Phillips screw driver to train the wire into a neat coil-cord before attaching the sensor to the header.



Step 9

Suspending Wire Harness From Header to Operator

Install screw hook into header approximately 6" from operator rail on the right side, facing the header. At height of operator mounting point, see figure 7.

Step 10

Support String

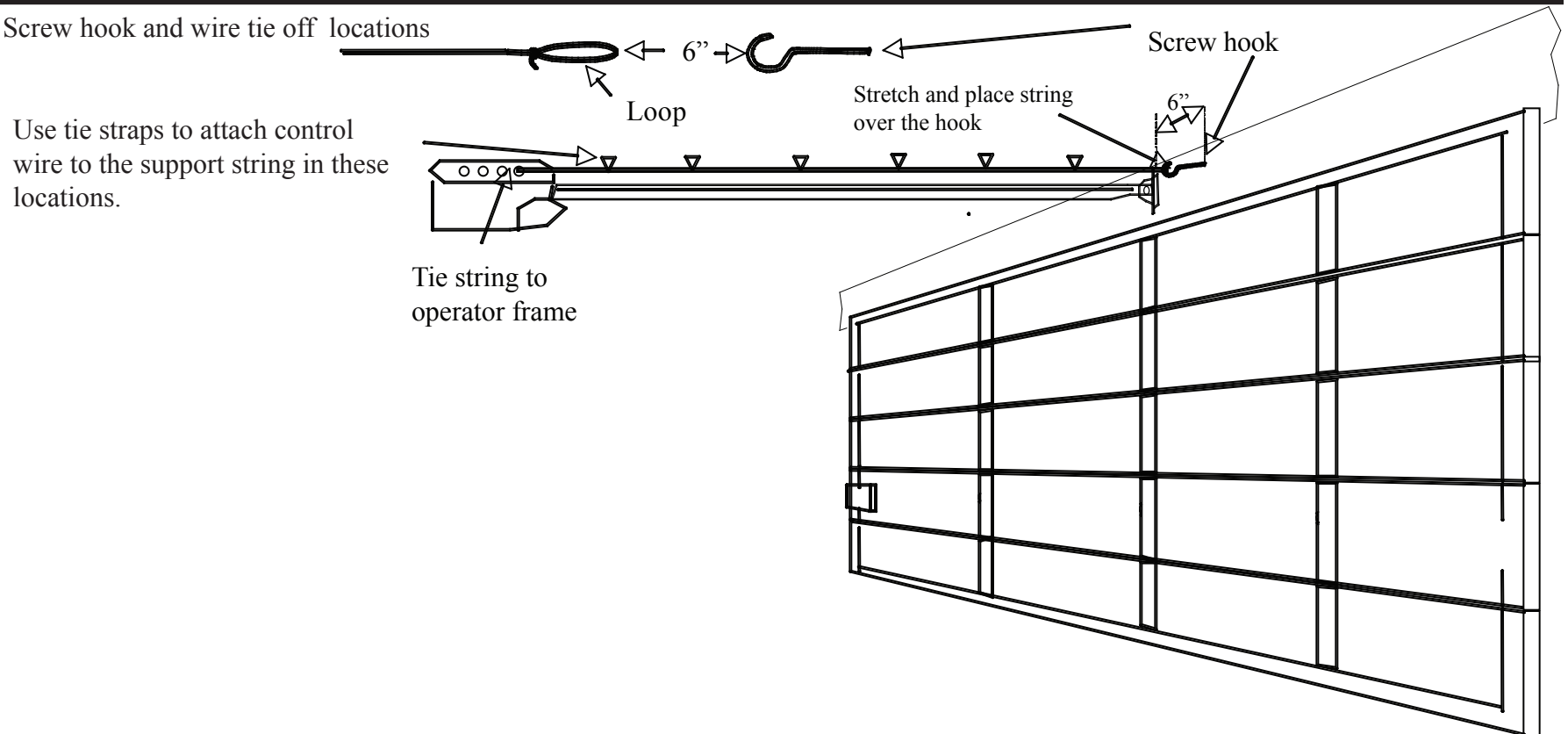
Tie one end of string to operator frame. See figure 7. Make loop on other end of string approximately 6" short of reaching hook. After tying loop stretch string till tight and place over hook.

Step 11

Attaching Wire to String

Attach wire harness to support string by using tie straps supplied in kit see Figure 7.

Figure 7 Screw hook and wire tie off locations



Step 12

Mounting Electrical Control Box

Mount electrical control box by using tie straps see figure 8. Use method best suited for application.

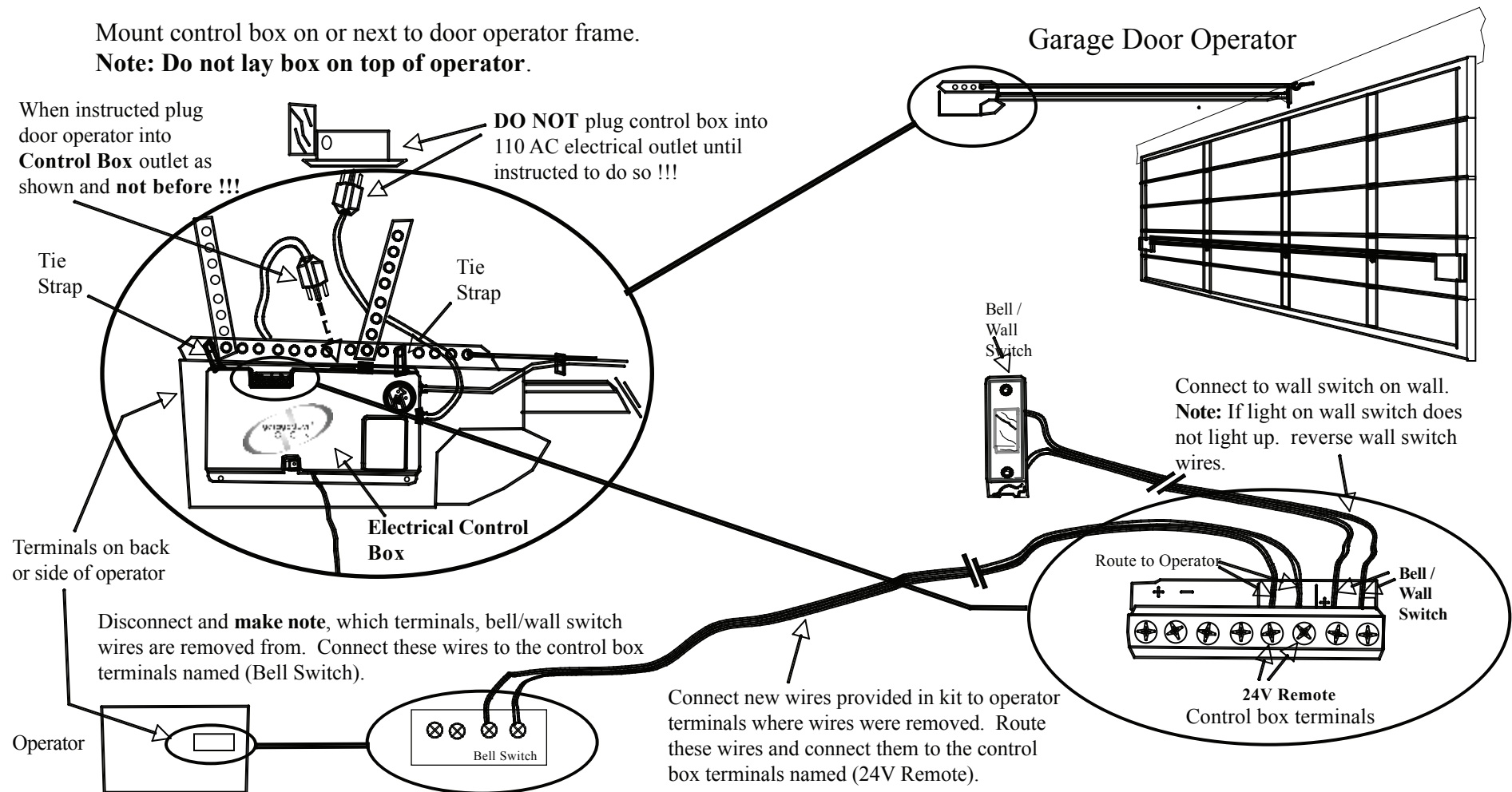
Step 13

Making Wire Connections.

Connect wire for electrical box see figure 8. Make sure all wiring is clear of any moving parts.

CAUTION: Make sure door operator is unplugged from 110 AC outlet before and while making wire connection.

Figure 8 Mounting Electrical Control Box and Making Wire Connections.



Page 19
Step 14

Mounting Magnetic Door Switch

Mount magnetic door switch to top left corner of door and header see **figure 9**.

Suggestion: Mark position of magnetic bracket with the door closed. Open door and install bracket in marked position. Close door and adjust as necessary. **Caution:** Do Not Crush Magnetic Switch Between Door and Header.

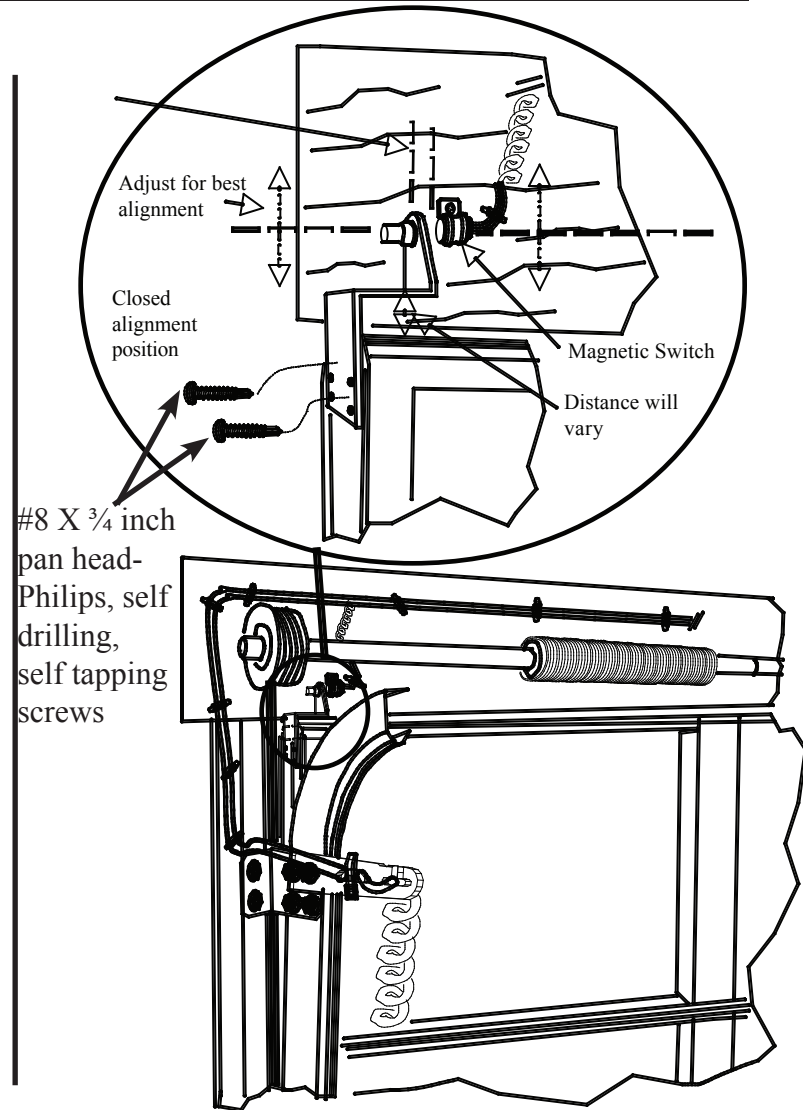
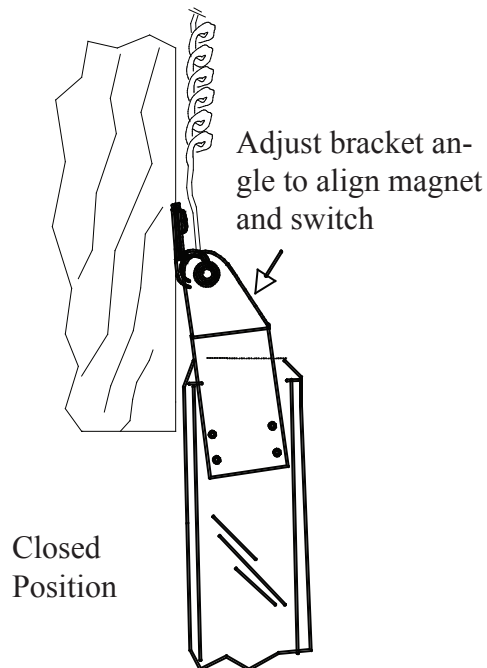
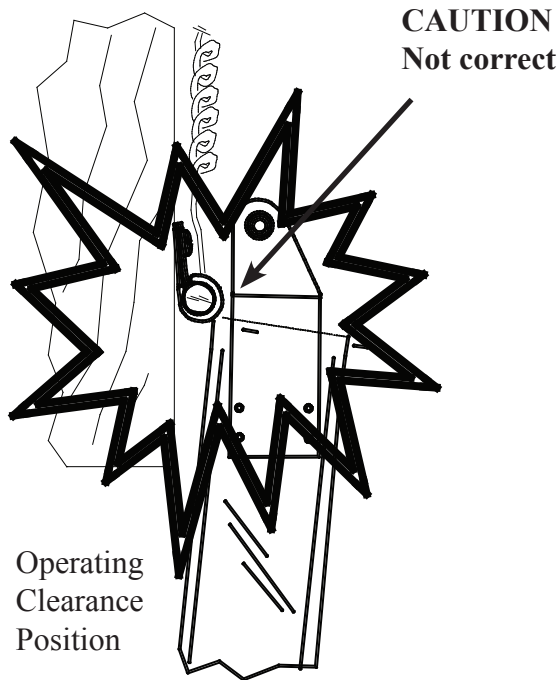
Step 15

Checking Clearances.

Move door fully open and fully closed MANUALLY checking all clearances for proper movement. IF OK, Skip to page 26.

Figure 9 Checking alignment of magnetic switch assembly

Watch to make sure the door clears the magnetic switch mounted on the header. If any contact is made you must mount the magnetic switch higher until no contact is made. Re-adjust the magnet on the door to align with the magnetic switch.

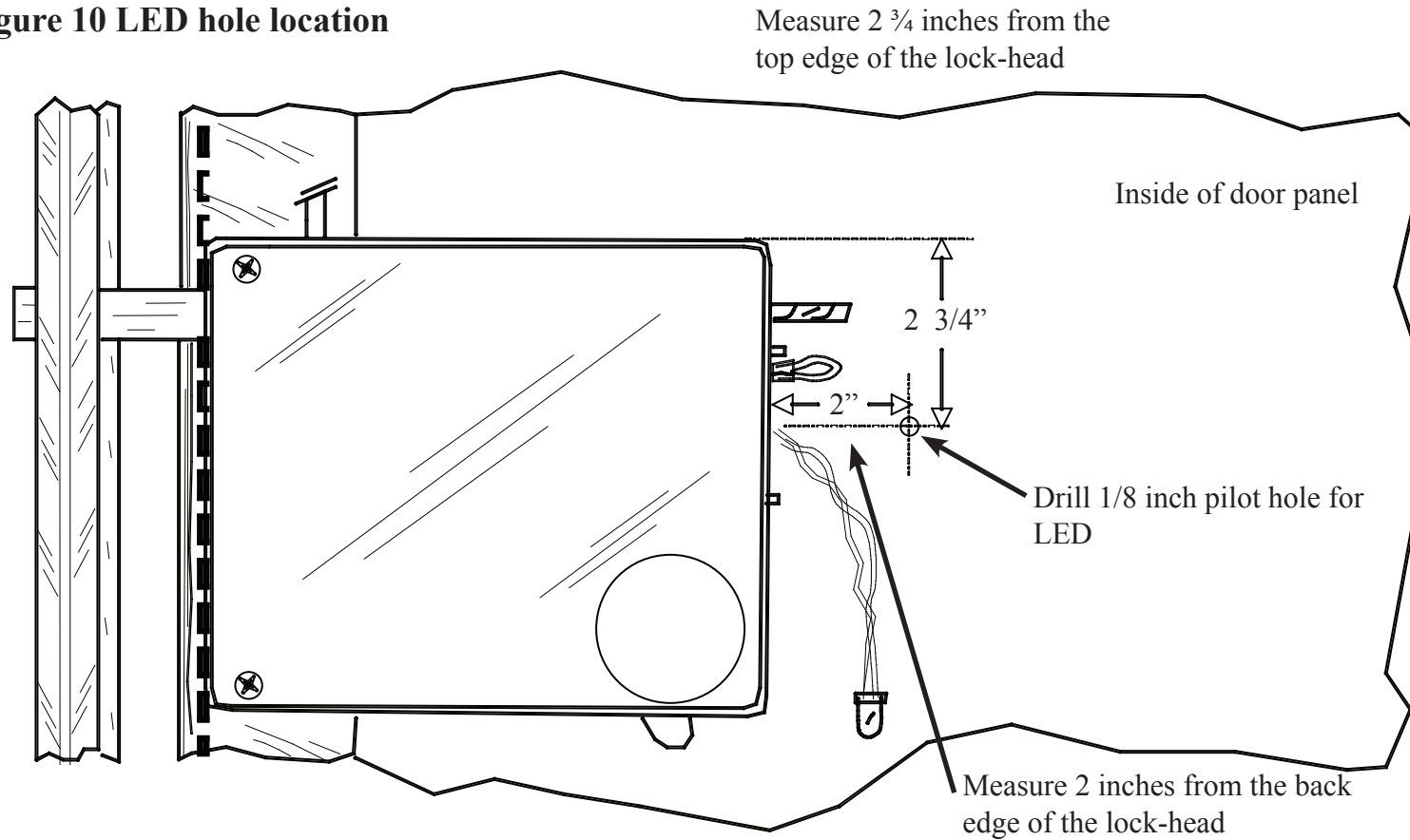


Step 16

Installing Red L.E.D.

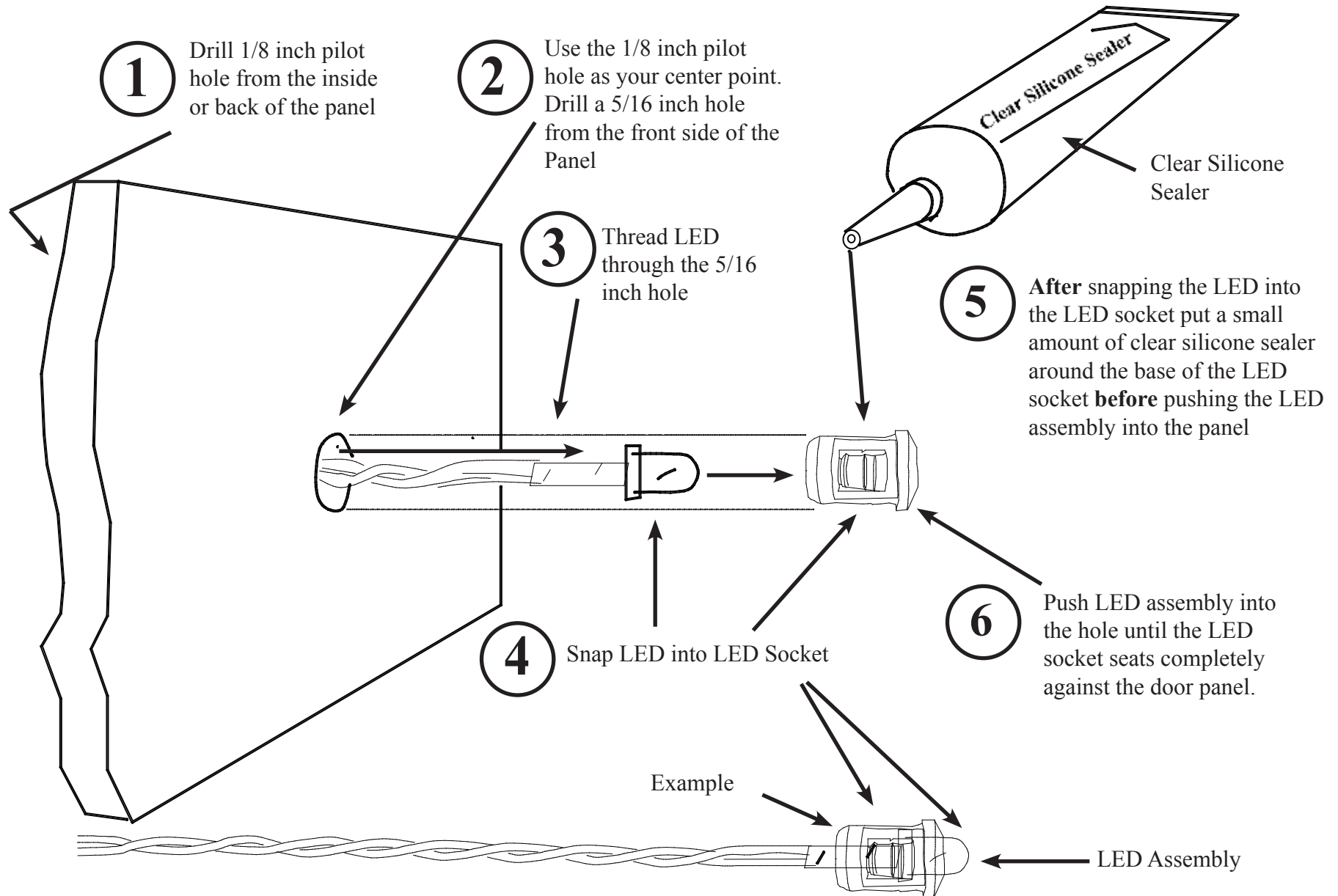
Locate pilot hole using measurements in **figure 10**. From inside of door, drill through door, with 1/8" pilot hole. From outside of door drill 5/16" hole using pilot hole reference. Insert LED from inside through hole. Hold LED mount firmly & insert LED into its own holder. To prevent rust, apply silicone to LED mount & insert complete assembly into hole. Wipe off excess silicone, See **figure 11**.

Figure 10 LED hole location



LED Install Through Door Panel

Figure 11



Step 17

Powering Up

Plug operator into electrical control box and then plug control box into 110V AC outlet.

Step 18

Learning Remotes.

Learn all remotes following procedures in Operating Instructions, (learning and unlearning remotes to control box).

Step 19

Latch Door to Rail.

Latch door back into operator. Release catch to reconnect door with operator.

Step 20

Operational Check.

Operate door using remote or bell switch to check operation.

CAUTION

CAUTION

CAUTION

Caution: Never attempt to open door with any other remotes – other than the garage door lock remotes- supplied with lock kit.

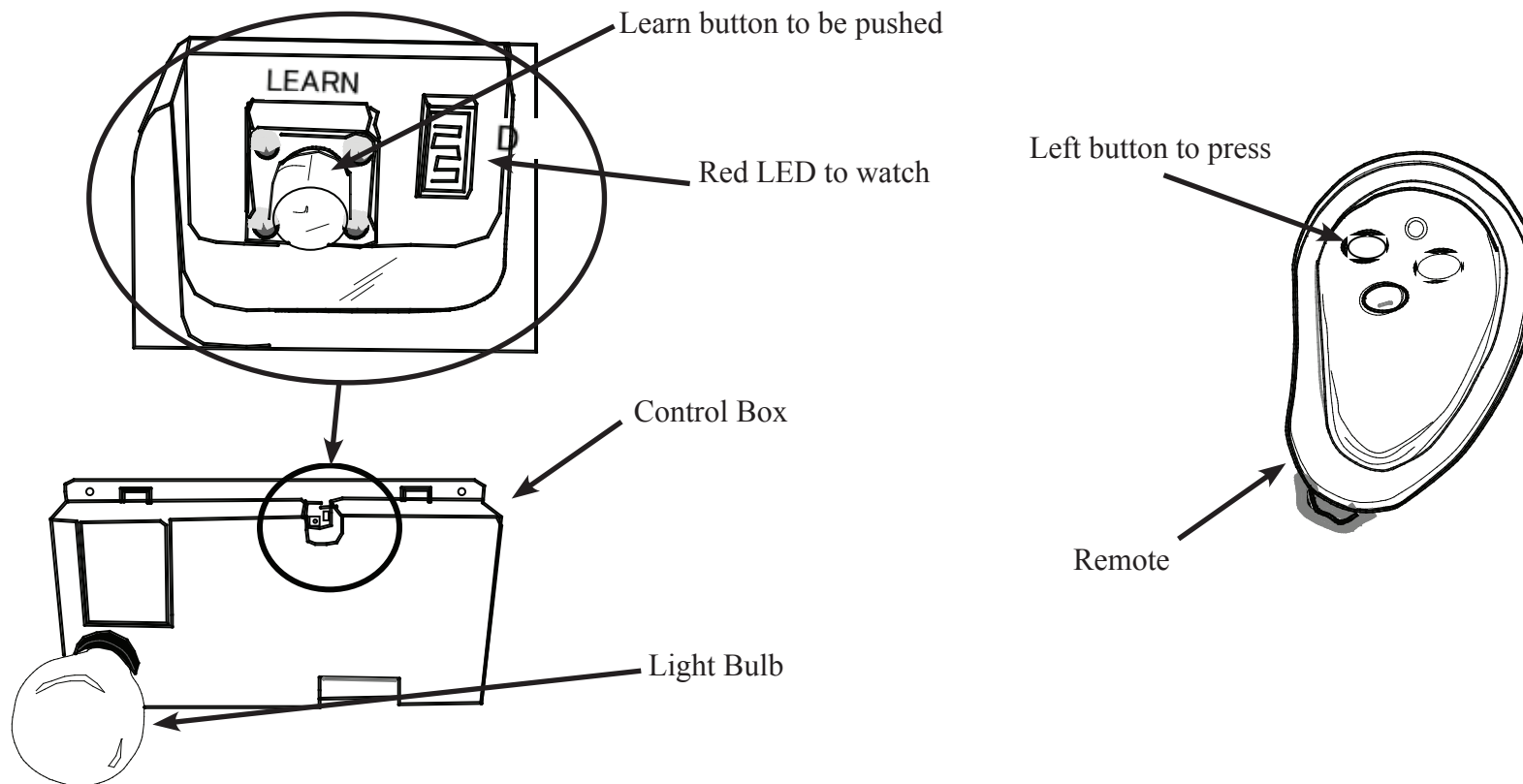
Normal Operating Instructions

Learning and unlearning the remotes to the control box.

TO LEARN the remotes: Press and hold the learn button on the control box. The red LED will light up and then go off. Release the learn button.

Now press the top left button on the remote **ONCE** then wait one second press it again, wait one more second press the button one more time. The light bulb on the control box should turn on. The learning process for that remote is now complete. As a test, press the top left button on the learned remote. The light bulb on the control box should respond by turning on or off as commanded. Repeat the entire learning procedure above to learn more remotes.

TO UNLEARN the remotes: press and hold the learn button until the red LED turns off, continue to hold the learn button until the red LED turns on again. Release the learn button while the red LED is on. All remotes are now unlearned.



Activating and Deactivating the Auto-Close and Lock Feature

Activating the auto close feature is **NOT** recommended on doors & openers, not equipped with sensor beams!

Caution: This lock kit comes from the manufacturer with the auto close feature deactivated. If you choose to activate the auto close feature, take extra precautions when working in and around the garage door way. **DO NOT Leave anything in the door way that can block or stop the door from closing. (Vehicles, Toys, projects, Children, pets, etc.).**

Door will close Automatically after audio and visual warnings!!!

Note: Vaulted garages must have a wall switch installed to activate this feature.

How to Enable: Hold wall button pressed continuously, door may open or close while performing this operation, press **Special Function** button on remote 2 times with 1 second between each push, a beep will be heard with each press of the remote button. The first time setting is 20 min., each press of the remote button makes the door close sooner by 5 minutes. Example 20-15-10-5. Look for light bulb to flash TWICE. This indicates enable is complete.

How to Disable: Hold wall button pressed continuously, door may open or close while performing this operation, press **Special Function** button on remote 2 times with 1 second between each push. Look for light bulb to flash ONCE. This indicates disable is complete.

How to Disable Temporarily:

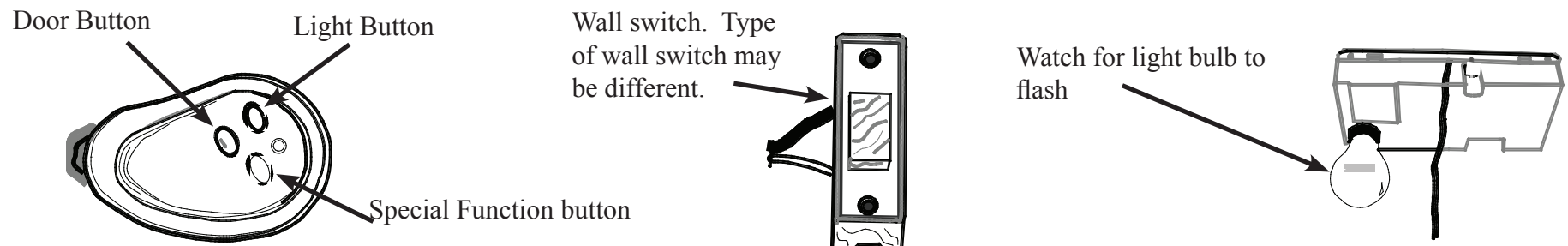
A: If the door is closed push wall button 2 times within 5 seconds the light bulb flashes ONCE. The garage door will open and stay open until the next full cycle.

B: If door is open push wall button 2 times within 5 seconds light bulb flashes ONCE. The door will start to close then stop. If door full open position is desired, button may be pushed once more within 5 seconds from initial push.

If door is stopped one foot or so from full closed position, for ventilation, auto close is still activated until wall button is pushed 2 times within 5 seconds.

If a beeping sound is heard with flashing light bulb, wall button or **Special Function** button on the remote can be pushed ONCE to temporarily stop auto close. One light bulb flash and beep will be seen and heard to confirm temporary disable.

If opening door normally from bell switch inside garage, a beep is heard to indicate auto close is activated, no beep heard means auto close is not activated.



Power Failure - Manual Lock Operation

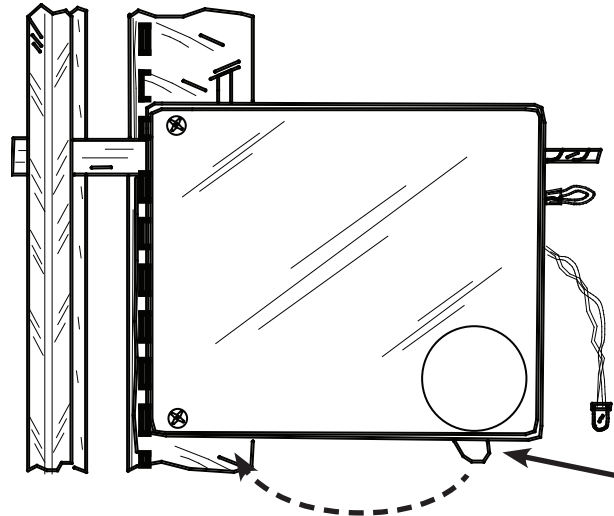
Manual Lock Operation

If the power goes out or if the garage door operator stops working you can still operate the garage door and GARAGE DOOR LOCK manually. **BEFORE** you pull the garage door release on the operator track. Manually unlock the GARAGE DOOR LOCK, follow the instructions as shown below.

When the power is restored or comes back on, if the door is closed, the lock will automatically lock in 5 seconds.

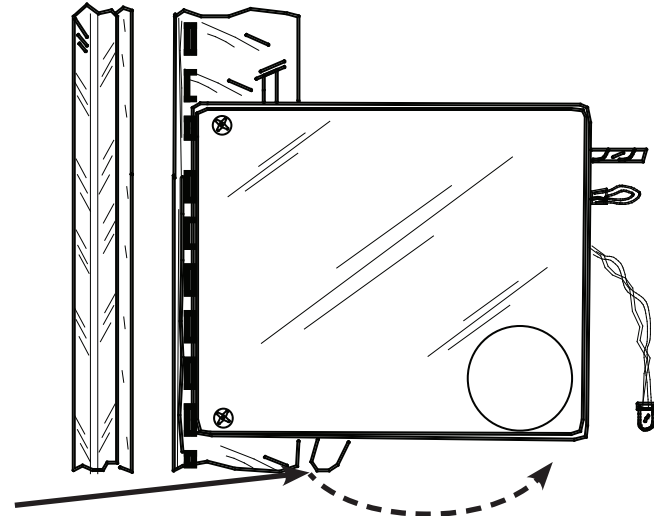
Locked Position

To unlock, move the manual release handle in the direction of the arrow.



Unlocked Position

To lock, move the manual release handle in the direction of the arrow.



Manual Release Handle

For garage doors without operators.

Push the door button on the remote or on the wall, the lock unlocks and you can open the garage door manually.

Push the door button **JUST BEFORE** closing the garage door, manually close the door and the lock automatically locks.

Replacement Parts and Accessories



Manual Key Pull Kit

Used for manual emergency release.
Required on single entry garages.



Wireless Keypad

Convenient keyless entry.



Extra Remote

Replacement Parts

Remote Battery

Replace with a 12V Type 23A battery.

Light Bulb

Replace with a standard 40 to 60 watt 110 VAC light bulb. **CAUTION: TO AVOID POTENTIAL FIRE HAZARD, LIGHT BULB MUST NOT EXCEED 60 WATTS at 110 VAC.**

How to Change Batteries

To Change the battery in the remotes follow steps A-F as shown below in figures 12 and 13.

- (A) Use a jewelers phillips screwdriver to remove the screw holding the remote assembly together.
- (B) Gently separate the remote case halves. Caution: The LED may need to be gently pushed back out of the top face cover.
- (C) While pulling the assembly apart, keep the circuit board and button set in tact as best you can.
- (D) Replace the battery with the positive (+) terminal, to the positive (+) terminal on the circuit board as shown in figure (a) below.
- (E) Reassemble the circuit board with the new battery into the bottom case half of the remote. Take care to align the circuit board with the guide tabs.
- (F) Position the button set onto the circuit board buttons. Place the top face cover on the assembly and guide the LED back through the LED hole. Make sure the button set aligns in the button holes. The top face cover and the bottom half will snap together. Reinstall the screw and tighten. See figures (a) and (b).

Figure 12

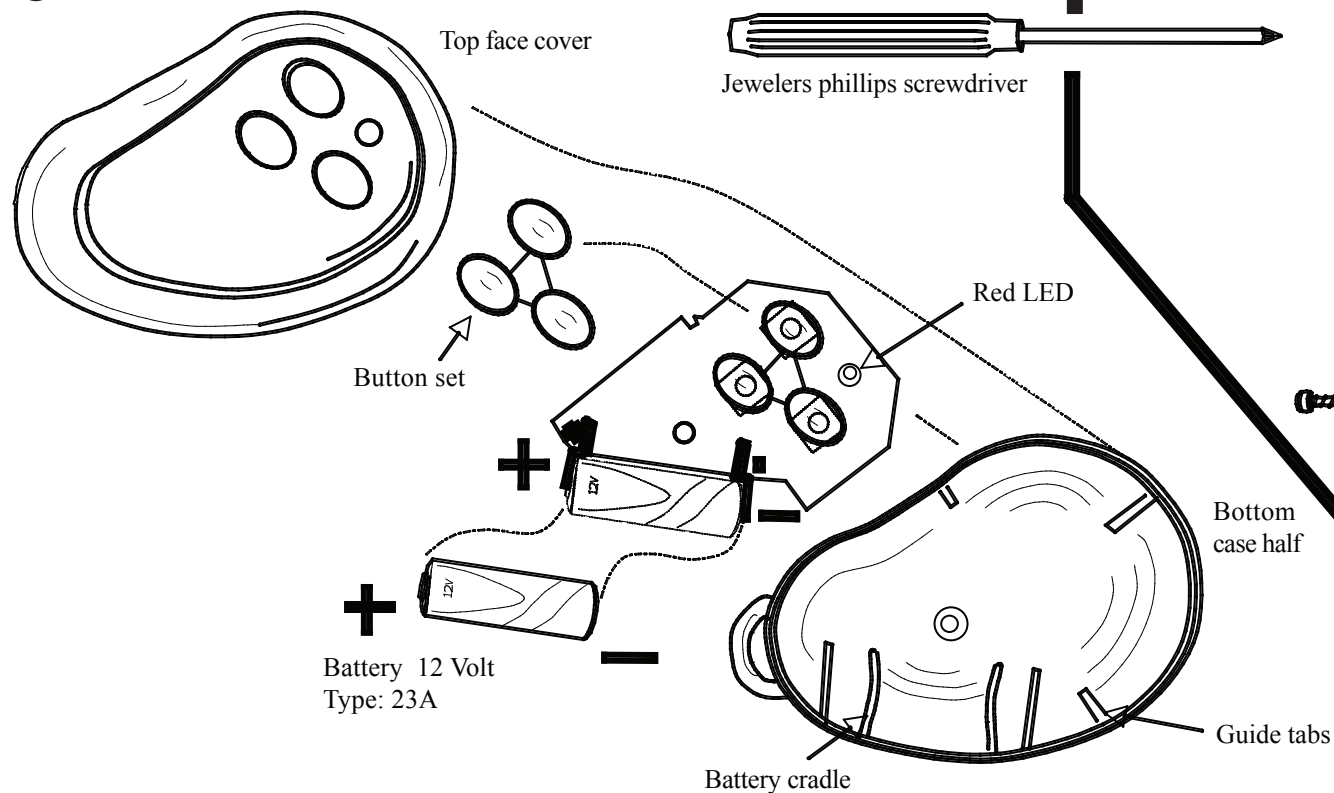
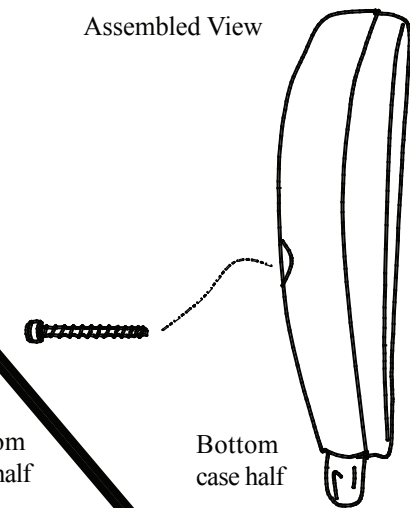


Figure 13



We at Elocksys limit warranty of this product as stated below.

One year limited warranty on mechanical and electrical components only, against manufacturers workmanship and material defects.

We test each lock before it is packaged for sale, we will not cover or be responsible for damage as a result of mishandling, pure or incorrect installation, nor will we cover human error or implied accidents by the customer or installer.

We provide a battery with each remote in the kit, it will be the customers responsibility to replace the battery should it lose power. The customer is responsible for replacing the light bulb, even though one may be provided in the kit.

The customer must pay the shipping and handling for the replacement unit and for the return of the alleged defective unit to the factory. The customer will be billed for the replacement lock until the lock returned for warranty is evaluated.

Each warranty claim will be processed on an individual case by case basis.

WE MAKE NO OTHER WARRANTY, EXPRESS OR IMPLIED, AND WE DISCLAIM ANY WARRANTY OR ANY OTHER KIND, INCLUDING ANY WARRANTY OF MERCHANTABILITY OR FITNESS FOR A PARTICULAR PURPOSE.

WE AND YOU AGREE THAT THE SOLE AND EXCLUSIVE REMEDY FOR NONCONFORMING GOODS SHALL BE REPLACEMENT OF DEFECTIVE GOODS. The parties acknowledge that the price of our products would be much greater if we undertook more extensive liability.

This warranty shall not apply to damage resulting from (I) loss or damage in transit, (ii) unreasonable use, (iii) Buyer's negligence, or (iv) accident. We reserve the right to examine the alleged defective goods to determine whether the warranty is applicable.

Please register and notify Elocksys of the purchase and installation of your new lock assembly. Fill out the warranty card completely or register on line at our web site. The information you provide on the registration card is to be used for individual customer relations and Warranty confirmation purposes only. Your privacy is important to use, for survey information please fill out the survey card to help us develop products and services that will enhance your everyday life. The information on the registration card will not be sold or shared. The information on the survey card may be sold or shared for marketing and survey purposes.

The one year warranty starts with, date of sale or purchase to the end user, not date of installation and is limited to the original purchaser. These requirements include the purchases from wholesale distributor, stores, contractors and retailers.

You must Show proof of purchase, date and location of installation upon warranty request, which will be matched with the product registration. The warranty will be void if false information is provided on the registration document or proof of purchase receipt by the original purchaser.

Some states do not allow specific or general limitations on product warranty, Implied or incidental. However the legal protections provided by the state in which the purchaser, user resides will be observed.

Elocksys reserves the right to repair or replace lock assemblies and individual parts with tested and known good reclaimed parts or new parts.

Repairs of lock assemblies and parts that exceed the ONE YEAR LIMITED WARRANTY period, will be paid by the customer, at current labor and part rates, along with shipping and handling.

For warranty service contact elocksys at: 760-479-1413 www.elocksys.com

Troubleshooting

For technical assistance, contact us at www.elocksys.com

The **garagedoor** lock is assembly tested, unit tested and run tested for quality assurance before it is packaged for sale. We at Elocksys Inc. take pride in creating products that customers can rely on.

Use this troubleshooting table to help troubleshoot possible errors that may occur during installation or everyday use of the **garagedoor** lock.

This troubleshooting table is designed to help quickly identify the source of most malfunctions that may occur with the **garagedoor** lock. Refer to the garage door and door operator owners manuals for malfunctions not related to the lock.

How to use this troubleshooting table.

Go to the Item section in question:

REMOTES

LOCK CONTROL BOX INCLUDING LIGHT BULB

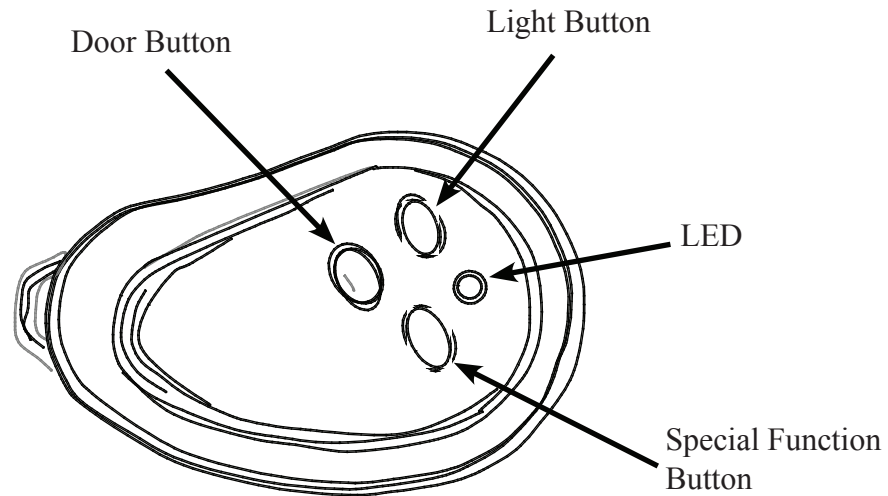
LOCK HEAD

OPERATOR (garage door operator)

This troubleshooting guide is a basic guide to help troubleshoot and identify the most common installation errors and possible malfunctions that may occur. For more complex issues contact and authorized service technician.

Troubleshooting Remotes

No response when Light or Door buttons is pressed and held for at least 1 second.	LED blinks rapidly or does not light	Check battery contacts and/or replace battery.
	LED lights continuously when button pressed	Perform 'LEARN' function on the remote.
	Remote will not LEARN with a fresh battery.	Contact authorized service technician.



Troubleshooting Lock Control Box

LED does not light when 'LEARN' button is pressed on control box.	Control box not plugged into the 110V AC outlet.	Plug control box into the outlet.
	Outlet has no power.	Make sure switches and circuit breakers are turned on for the outlet.
	Circuit breaker on the Lock Control Box is tripping.	Contact authorized service representative.
	House circuit breaker tripping.	Contact qualified electrician.
Light on Control Box does not turn on.	Light bulb burned out.	Replace with new bulb. Caution: Bulb must not exceed 60W.
	Known good bulb still does not turn on.	Contact authorized service representative.

Troubleshooting Lock Head

Lock does not unlock when either the bell switch or remote is pressed.	Control box not plugged into the 110V AC outlet.	Plug in Lock Control Box.
	Control box plugged in, not working.	Go to the section on troubleshooting the Lock Control Box.
Lock runs, but does not unlock fully.	Lock bolt is rubbing on sides of receiver hole.	Enlarge the receiver hole.
	Debris or binding in the lock mechanism.	Contact authorized service representative.
Lock runs, unlocks fully, motor continues to run and door does not open.	Faulty limit switch in lock mechanism.	Contact authorized service representative.
When door closes, lock does not lock.	Faulty alignment of magnetic switch and magnet.	Check alignment of magnetic switch and the magnet mounted on the door.
	Magnet and switch align, problem is in wiring or control box.	Contact authorized service representative.
Lock runs, but does not lock fully, red LED does not light.	Lock bolt is rubbing on sides of receiver hole. Receiving hole is obstructed.	Enlarge or clean the receiver hole.
	Debris or binding in the lock mechanism.	Contact authorized service representative.
Lock runs, locks fully, motor continues to run for a while and red LED does not light.	Faulty limit switch in lock mechanism.	Contact authorized service representative.

Troubleshooting Garage Door Operator Opening

Lock unlocks correctly, the door does not open.	Lock not fully unlocked.	See the section on Troubleshooting Lock Head.
	Garage Door Operator not plugged in to the 110V AC outlet.	Plug the door operator into the outlet on the Control Box.
	Loose bell wire from Control Box to operator.	Reconnect bell wire.
	Door operator not working or Lock Control not generating signal to the operator.	<ol style="list-style-type: none"> 1. Unplug lock from 110V AC outlet. 2. Manually unlock the door. 3. Plug opener into 110V AC outlet. 4. Wire bell switch on the wall to the opener. 5. Press the bell switch. 6. If the door opens, contact your authorized garageDoor lock service representative. 7. If the door does not open, contact your service representative for your opener.

Troubleshooting Garage Door Operator Closing

When the door is open, the door does not move at all when either the bell switch is pressed or the remote is used.	Garage Door Operator not plugged in to the 110V AC outlet.	Plug the door operator into the outlet on the Control Box.
	Loose bell wire from Control Box to operator.	Reconnect bell wire.
	Door operator not working or Lock Control not generating signal to the operator.	<ol style="list-style-type: none"> 1. Unplug lock from 110V AC outlet. 2. Manually unlock the door. 3. Plug opener into 110V AC outlet. 4. Wire bell switch on the wall to the opener. 5. Press the bell switch. 6. If the door opens, contact your authorized garageDoor lock service representative. 7. If the door does not open, contact your service representative for your opener.
When the door is open, the door starts to move when the bell switch or remote is pressed, but the door stops or reverses direction.	Safety beam in door is interrupted.	Make sure sensors are aligned and nothing is blocking the beam.
	Mechanical binding of the opener drive or door track.	Check the troubleshooting section of your opener manual.

