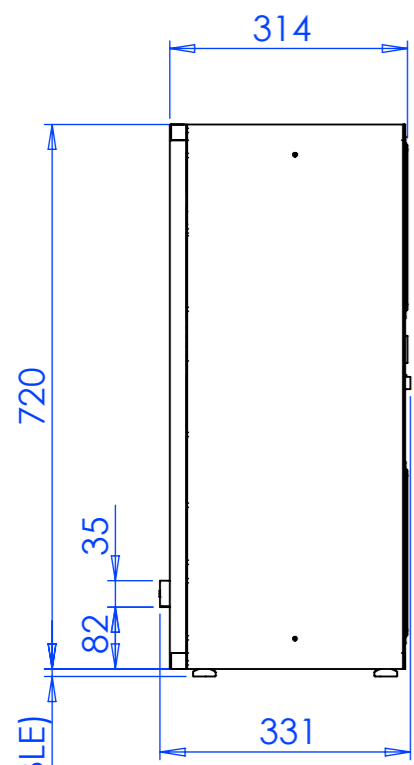


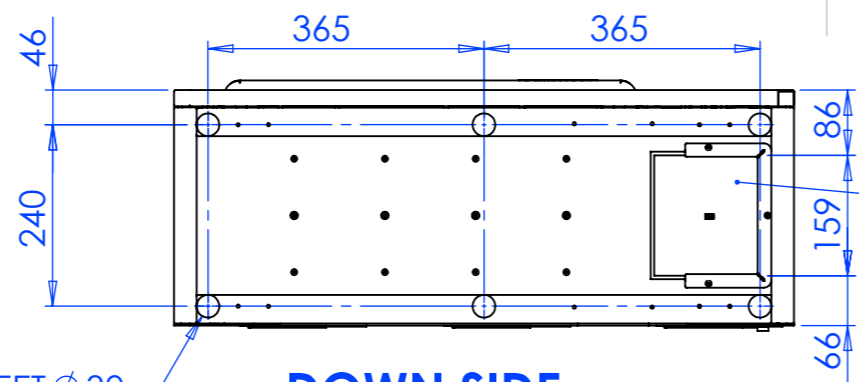
10⁺⁵(ADJUSTABLE)

RIGHT SIDE



N°6 RUBBER FEET Ø 30

DOWN SIDE



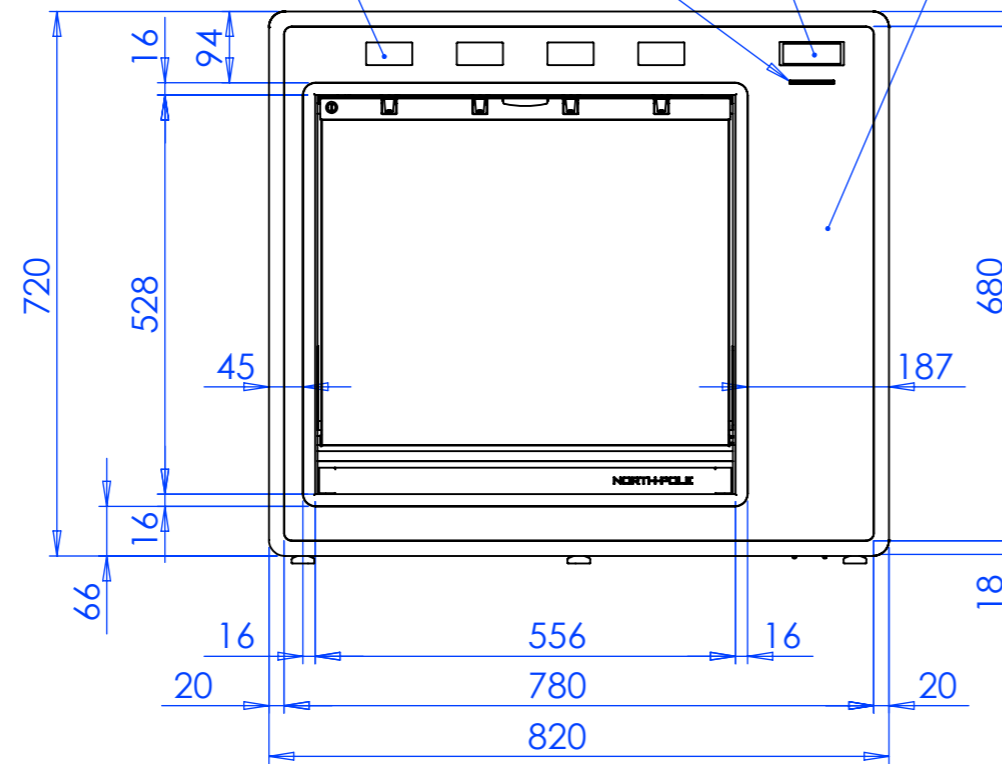
TOUCH SCREEN DISPLAY FOR TASTING

MAIN DISPLAY
CARD SLOT

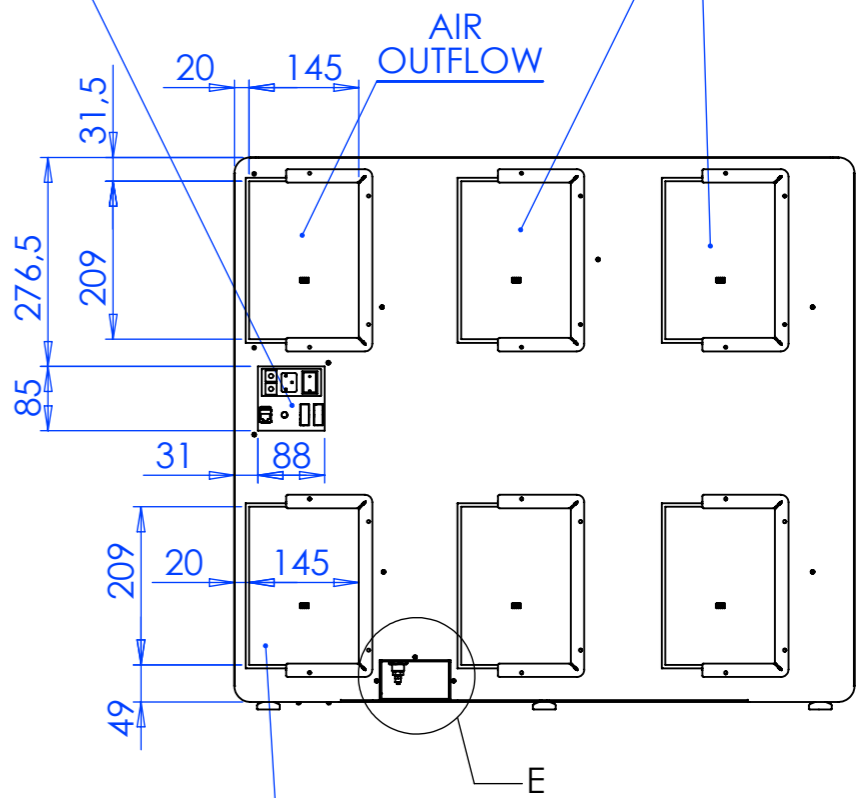
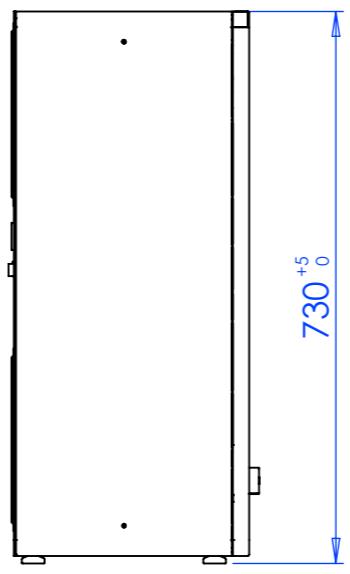
POWER CONNECTION
REMOVABLE CUSTOMIZE COVER

N° 6+1 REMOVABLE FILTERS
CLEANING IF IT'S NECESSARY

FRONT ELEVATION

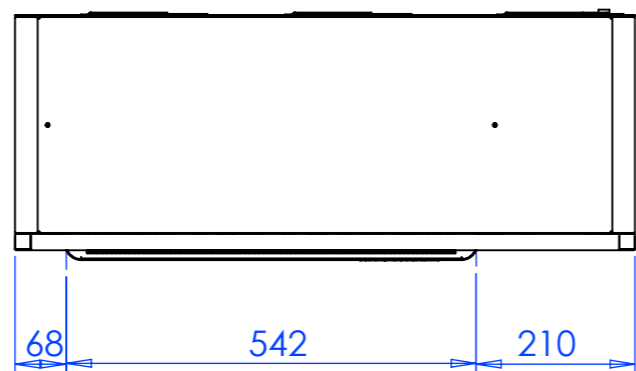


LEFT SIDE



BACK ELEVATION

TOP SIDE



POSSIBLE CONNECTION
TUBE Ø4mm 1.5 BAR
ONLY FOR "NORTH POLE
LIGHT" CONFIGURATION

DETT. E
SCALE 1 : 5

NOTE

-ALL DIMENSIONS IN mm

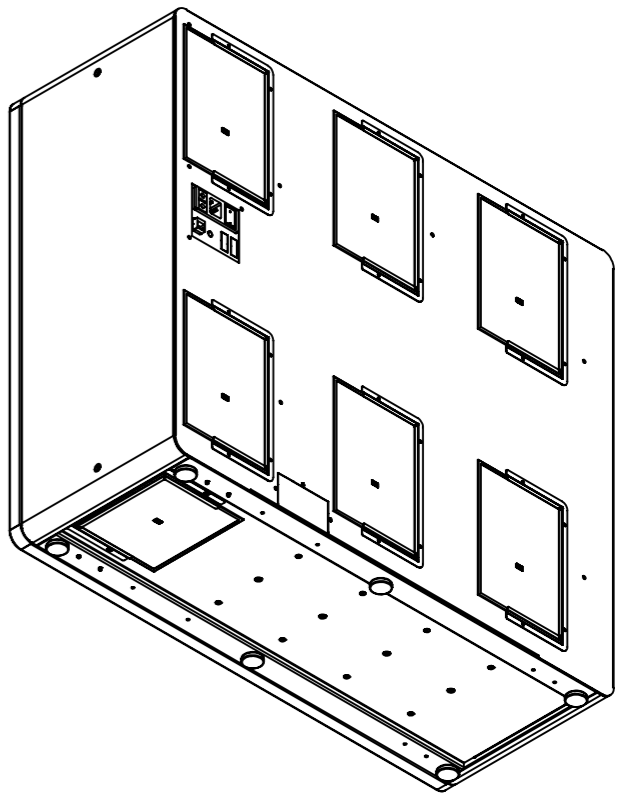
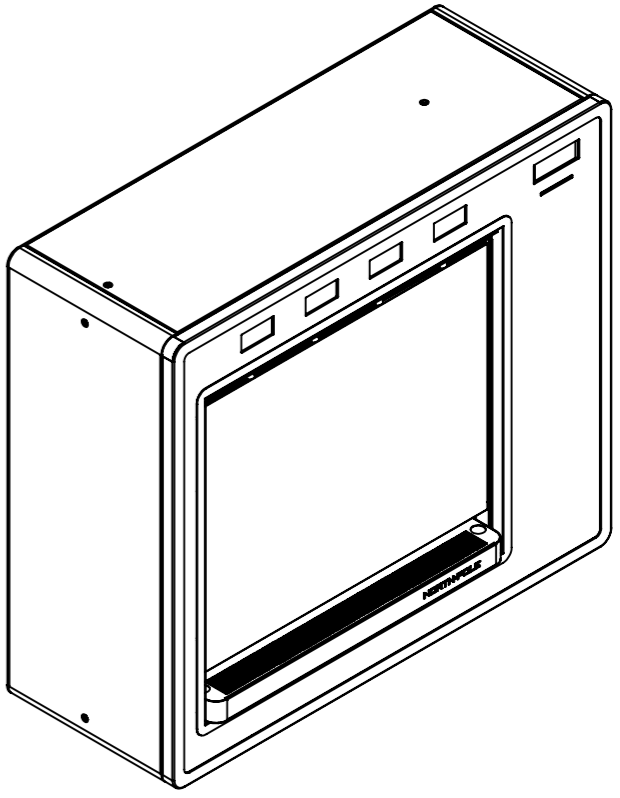
PROPRIETARY AND CONFIDENTIAL
THE INFORMATION CONTAINED IN THIS DRAWING IS THE SOLE PROPERTY OF <INSERT COMPANY NAME HERE>. ANY REPRODUCTION IN PART OR AS A WHOLE WITHOUT THE WRITTEN PERMISSION OF <INSERT COMPANY NAME HERE> IS PROHIBITED.

REV.	DESCRIPTION	DATE	EXECUTOR	CHK'D	APPV'D
02	GENERAL REV.	15/11/2010	PANICHI		
01	ISSUE	18/06/2010	PANICHI		
CODE:	MATERIAL:		MATERIAL CODE:	WEIGHT Kg:	
	/				



TITLE:	NORTH POLE	
DWG NO.	ND-YM000	A3
SCALE:1:10	LANGUAGE: ENGLISH	FINISH: THICKNESS: SHEET 1 OF 6

NORTH POLE			
SIZE (mm)	HEIGHT (MIN -MAX)	730 - 735	
	WIDTH	820	
	DEPTH	335	
WEIGHT (Kg)	65		
FINISH MATERIALS	STAINLESS STEEL 304		
ELECTRICAL FEATURES	VOLTAGE (V)	110	220
	FREQUENCY (Hz)	60	50
	MAX POWER (W)	180	180
	FUSES	2X8 Amp	2X4 Amp
REFRIGERATION COMPRESSOR SPECIFICATION	REFRIGERATION GAS	R-134A	
	TEMPERATURE CONTROL	ELETTRONIC CONTROLLER	
	DEFROST METHOD	AUTOMATIC VIA ELECTRONIC CONTROLLER	
	METHOD OF DISPLAYNG TEMPERATURE	DIGITAL	
AIR COMPRESSOR INSIDE	TANK AIR GAS PRESSURE	0.5÷1.5 BAR	
	AIR GAS PRESSURE TO DISPENSE	0.16BAR	
N° 4 ELECTRIC PISTON TO LIFT BOTTLES			
N° 1 ELECTRIC PISTON	VOLTAGE	24 V DC	
	NOMINAL CURRENT	1 Amp	
	MAX CURRENT	2.2 Amp	
ACCEPTED BOTTLES	HEIGHT	227÷367	
	Ø MAX	118	

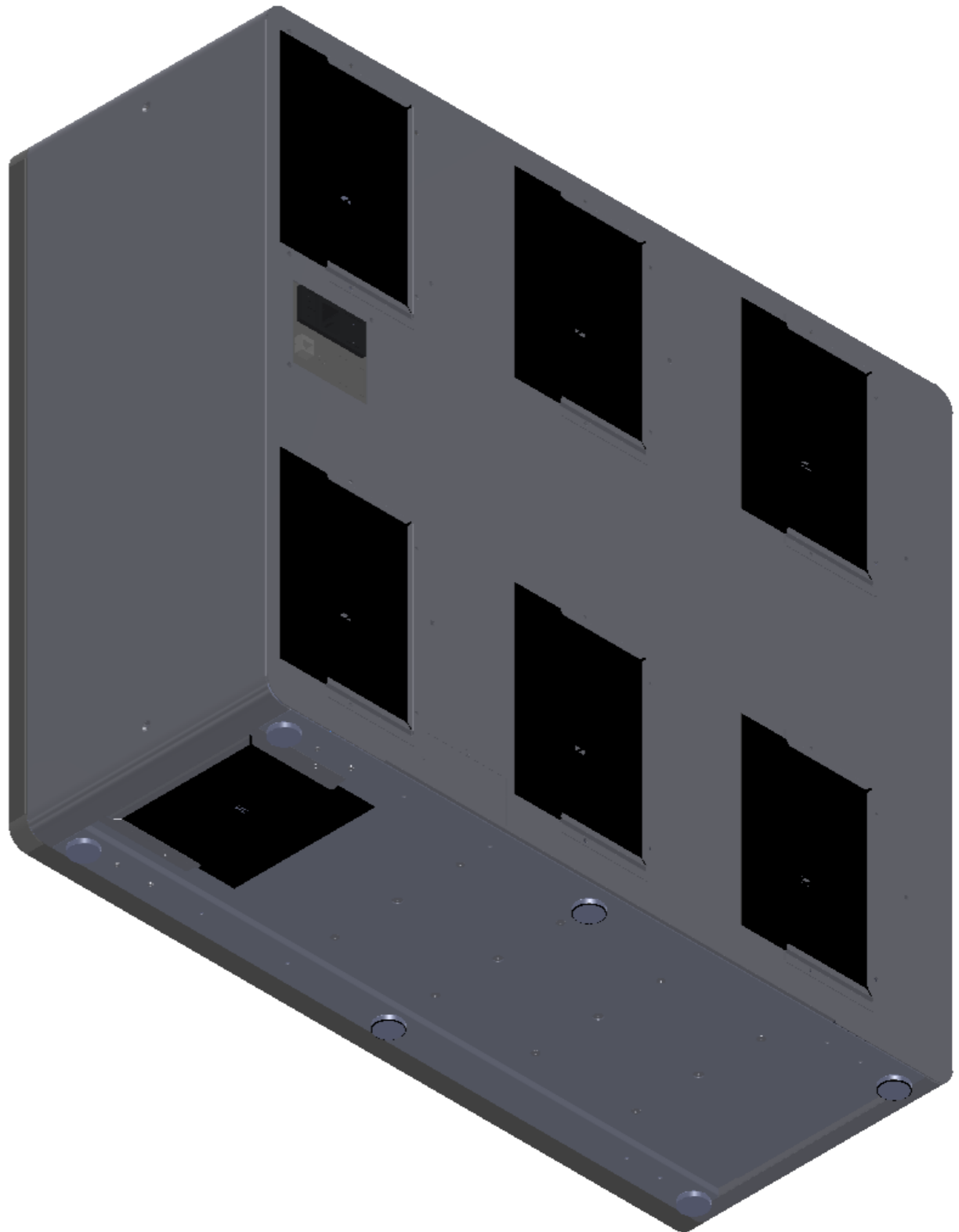
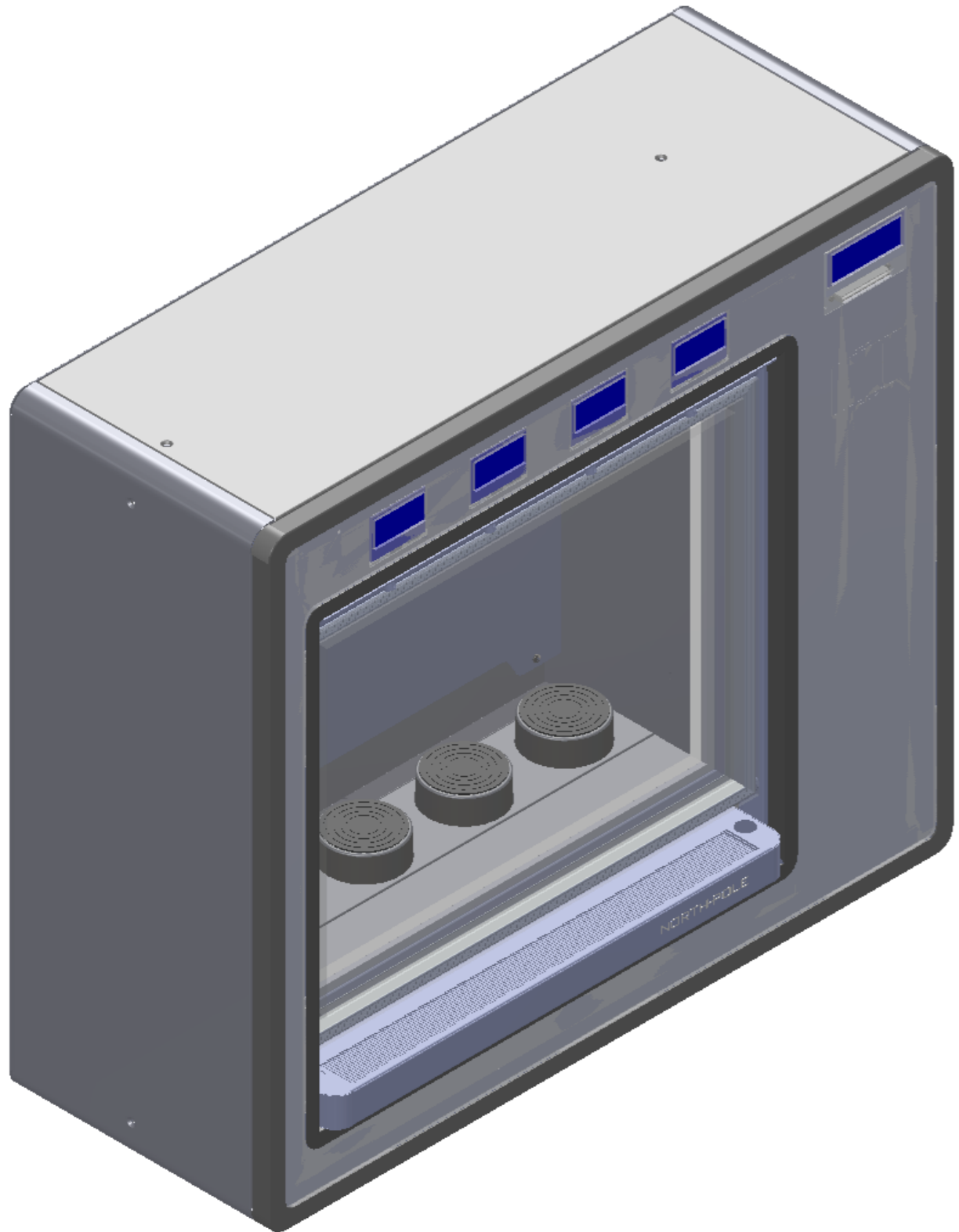
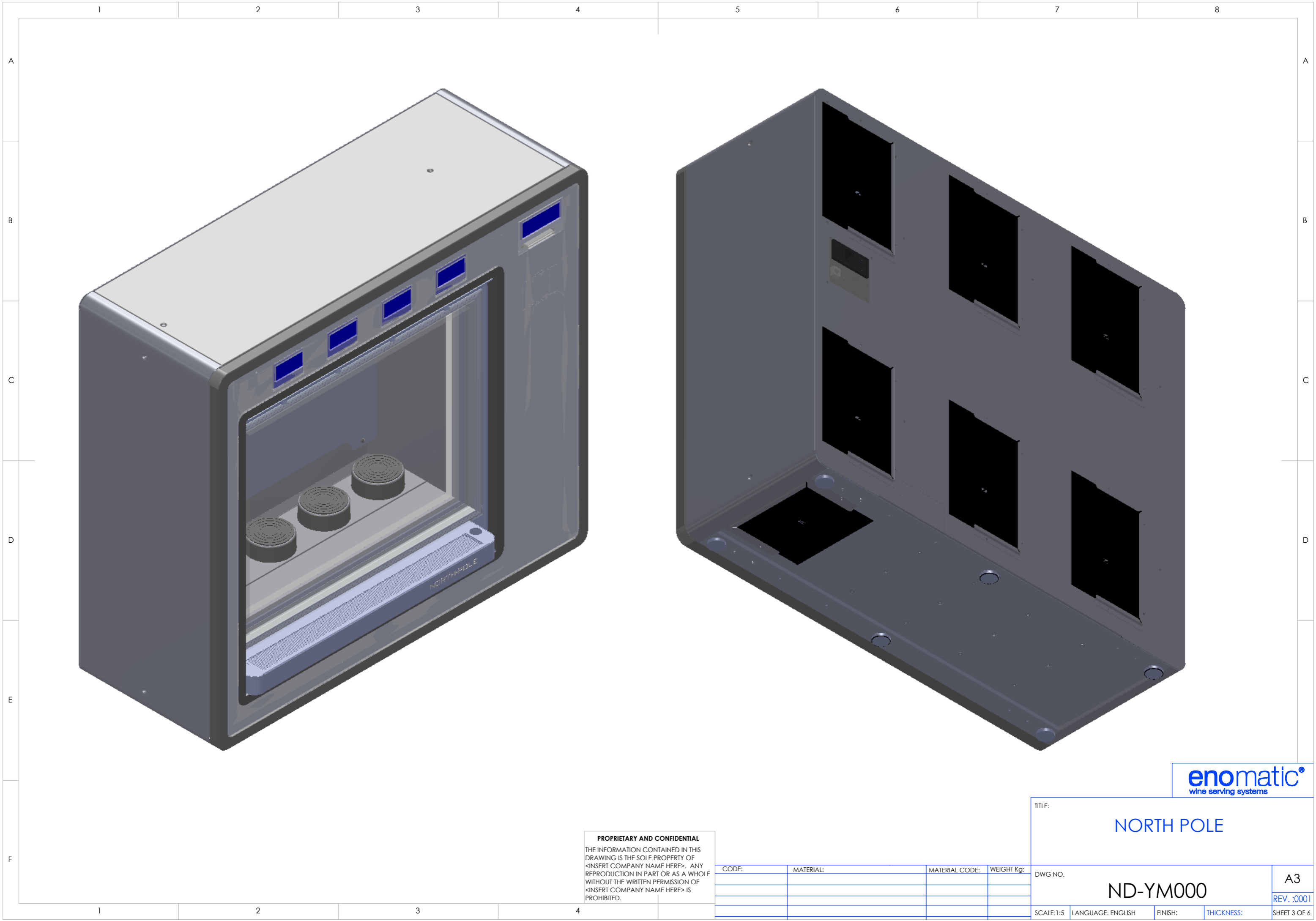


TITLE:		NORTH POLE	
DWG NO.		ND-YM000	
SCALE:1:10		LANGUAGE: ENGLISH	FINISH:
THICKNESS:		SHEET 2 OF 6	

PROPRIETARY AND CONFIDENTIAL
 THE INFORMATION CONTAINED IN THIS DRAWING IS THE SOLE PROPERTY OF <INSERT COMPANY NAME HERE>. ANY REPRODUCTION IN PART OR AS A WHOLE WITHOUT THE WRITTEN PERMISSION OF <INSERT COMPANY NAME HERE> IS PROHIBITED.

CODE:	MATERIAL:	MATERIAL CODE:	WEIGHT Kg:

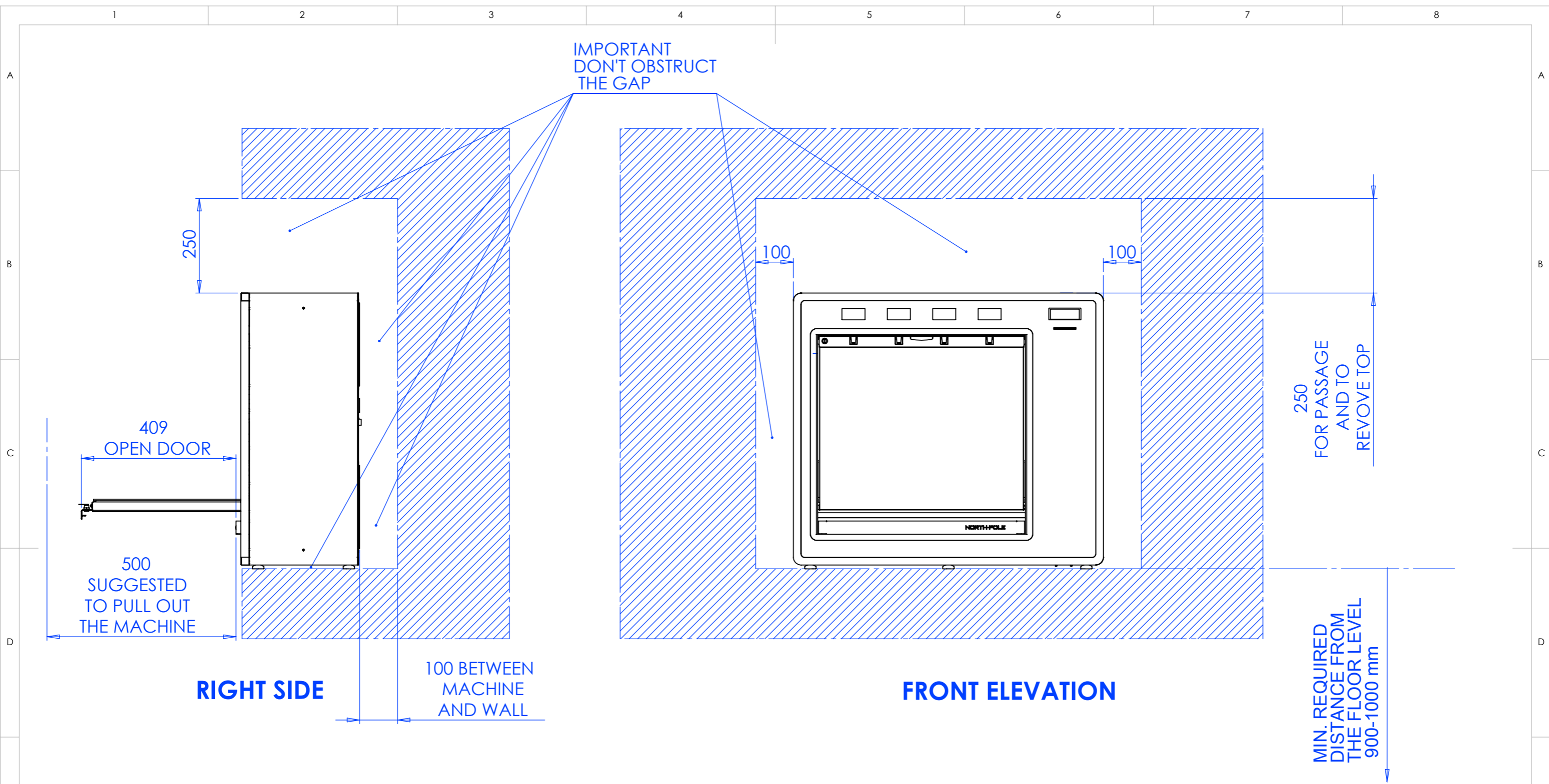
A3
REV. :0001



PROPRIETARY AND CONFIDENTIAL
 THE INFORMATION CONTAINED IN THIS DRAWING IS THE SOLE PROPERTY OF <INSERT COMPANY NAME HERE>. ANY REPRODUCTION IN PART OR AS A WHOLE WITHOUT THE WRITTEN PERMISSION OF <INSERT COMPANY NAME HERE> IS PROHIBITED.

TITLE:		NORTH POLE	
DWG NO.	ND-YM000	A3	REV. :0001
SCALE:1:5	LANGUAGE: ENGLISH	FINISH:	THICKNESS:
		SHEET 3 OF 6	

CODE:	MATERIAL:	MATERIAL CODE:	WEIGHT Kg:



1 - EXAMPLE INSTALLATION - POSITIONING IN FORESEEN BOX (DIMENSION IN mm REFER TO MINIMAL REQUIRED CLEARANCE FOR PROPER PERFORMANCES)

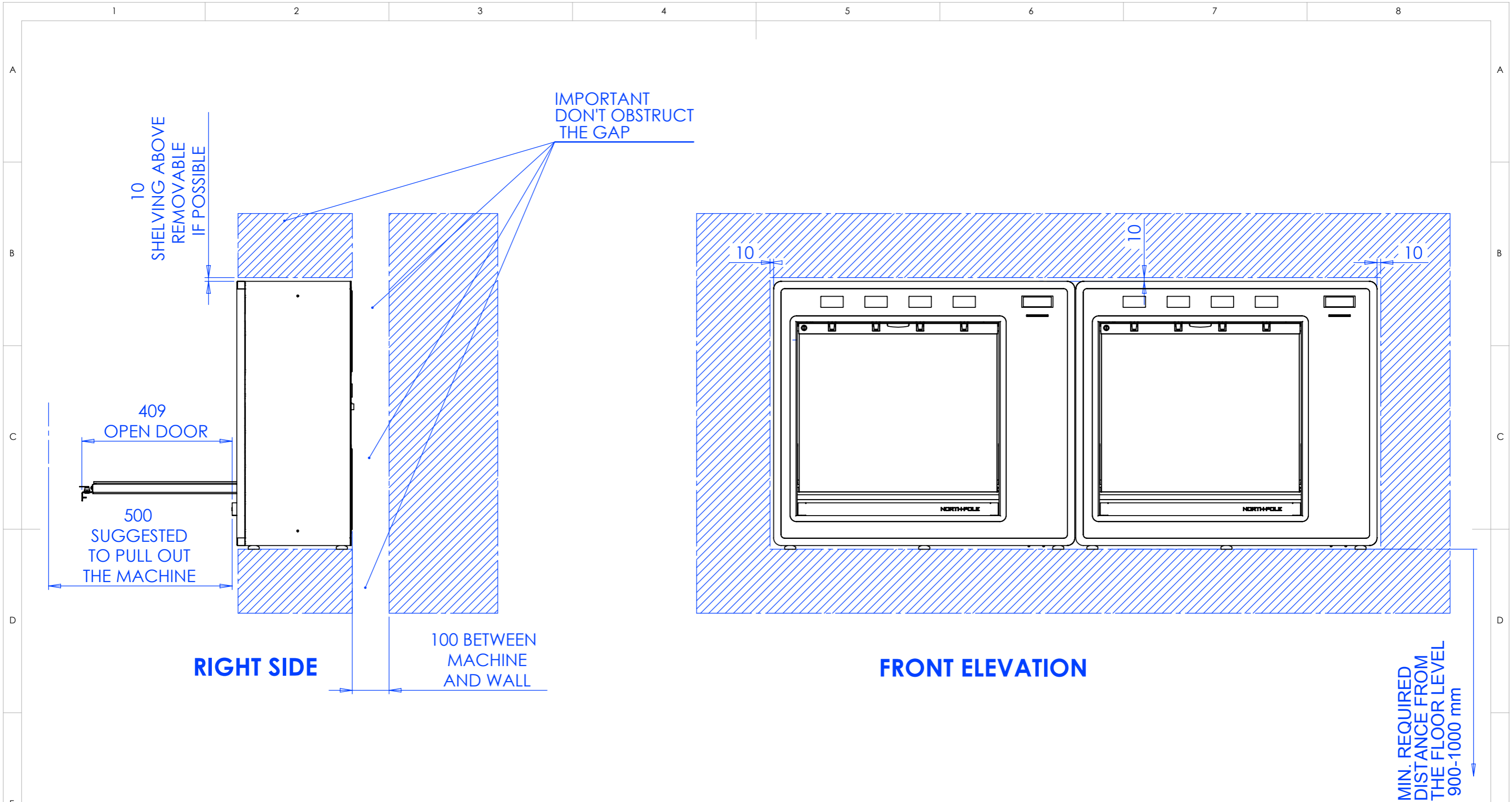


PROPRIETARY AND CONFIDENTIAL
THE INFORMATION CONTAINED IN THIS
DRAWING IS THE SOLE PROPERTY OF
<INSERT COMPANY NAME HERE>. ANY
REPRODUCTION IN PART OR AS A WHOLE
WITHOUT THE WRITTEN PERMISSION OF
<INSERT COMPANY NAME HERE> IS
PROHIBITED.

CODE:	MATERIAL:	MATERIAL CODE:	WEIGHT Kg:

TITLE: NORTH POLE		A3
DWG NO. ND-YM000		
SCALE:1:5	LANGUAGE: ENGLISH	FINISH:
THICKNESS:		SHEET 4 OF 6

REV. :0001



2 - EXAMPLE INSTALLATION - BUILT-IN POSITIONING (DIMENSION IN mm REFER TO MINIMAL REQUIRED CLEARANCE FOR PROPER PERFORMANCES)

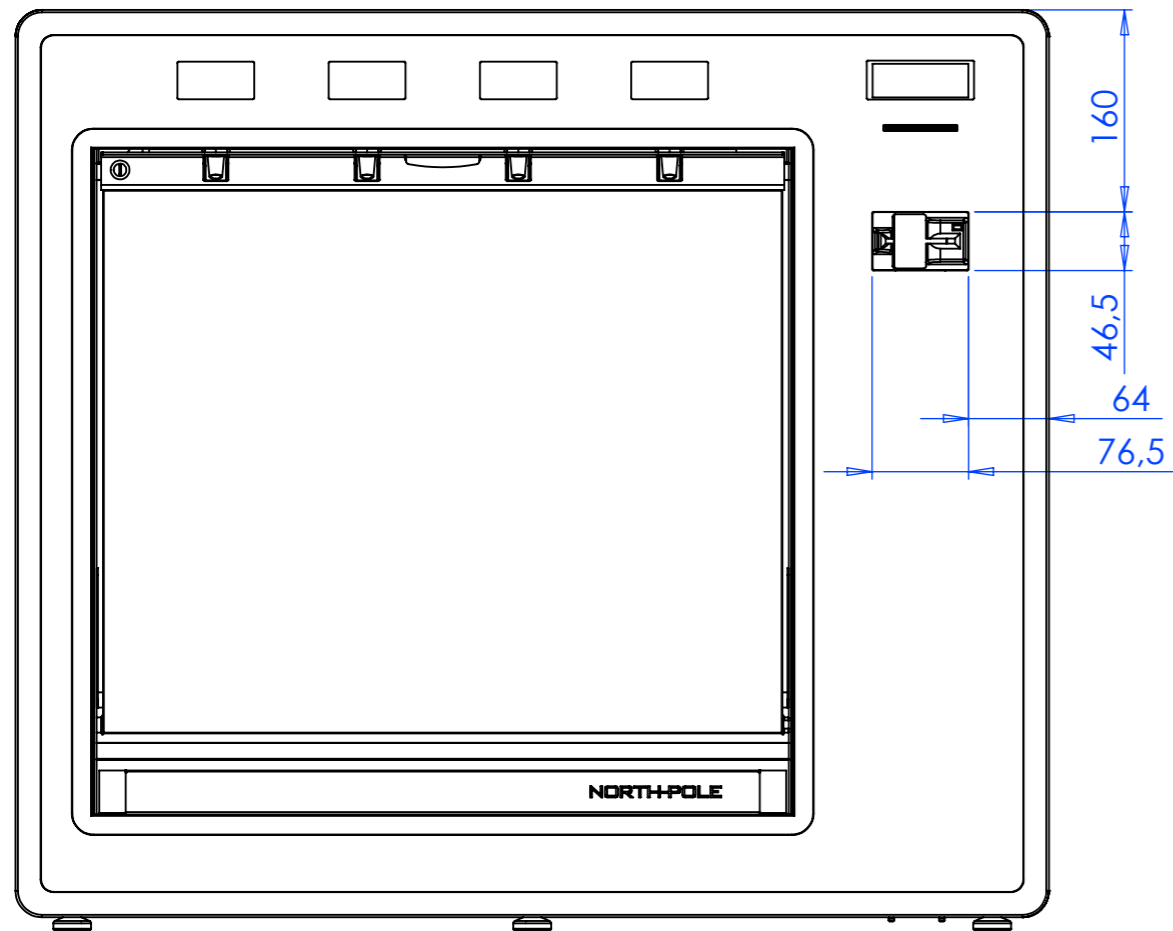


PROPRIETARY AND CONFIDENTIAL
THE INFORMATION CONTAINED IN THIS DRAWING IS THE SOLE PROPERTY OF <INSERT COMPANY NAME HERE>. ANY REPRODUCTION IN PART OR AS A WHOLE WITHOUT THE WRITTEN PERMISSION OF <INSERT COMPANY NAME HERE> IS PROHIBITED.

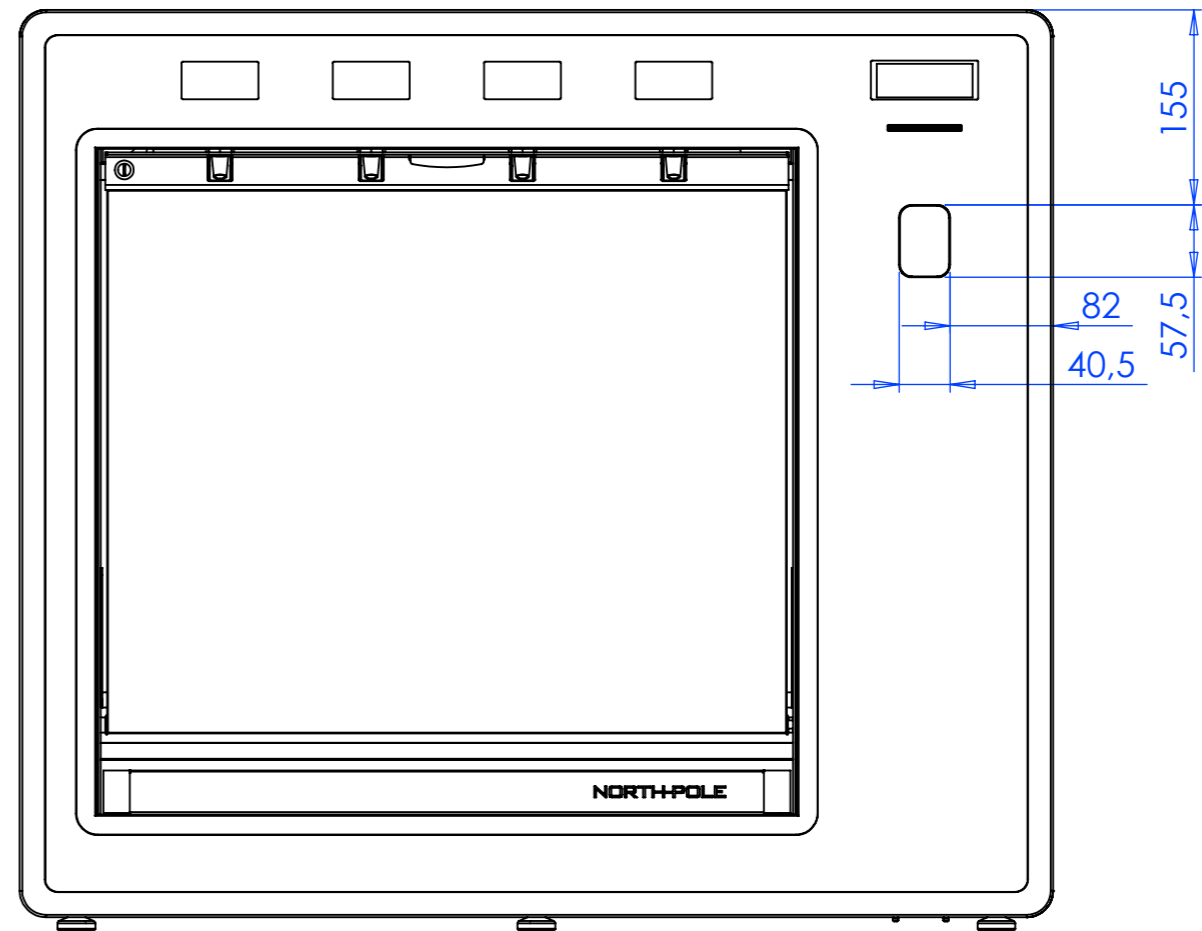
CODE:	MATERIAL:	MATERIAL CODE:	WEIGHT Kg:

TITLE: NORTH POLE	
DWG NO. ND-YM000	A3 REV. :0001
SCALE:1:5	LANGUAGE: ENGLISH
FINISH:	THICKNESS:
SHEET 5 OF 6	

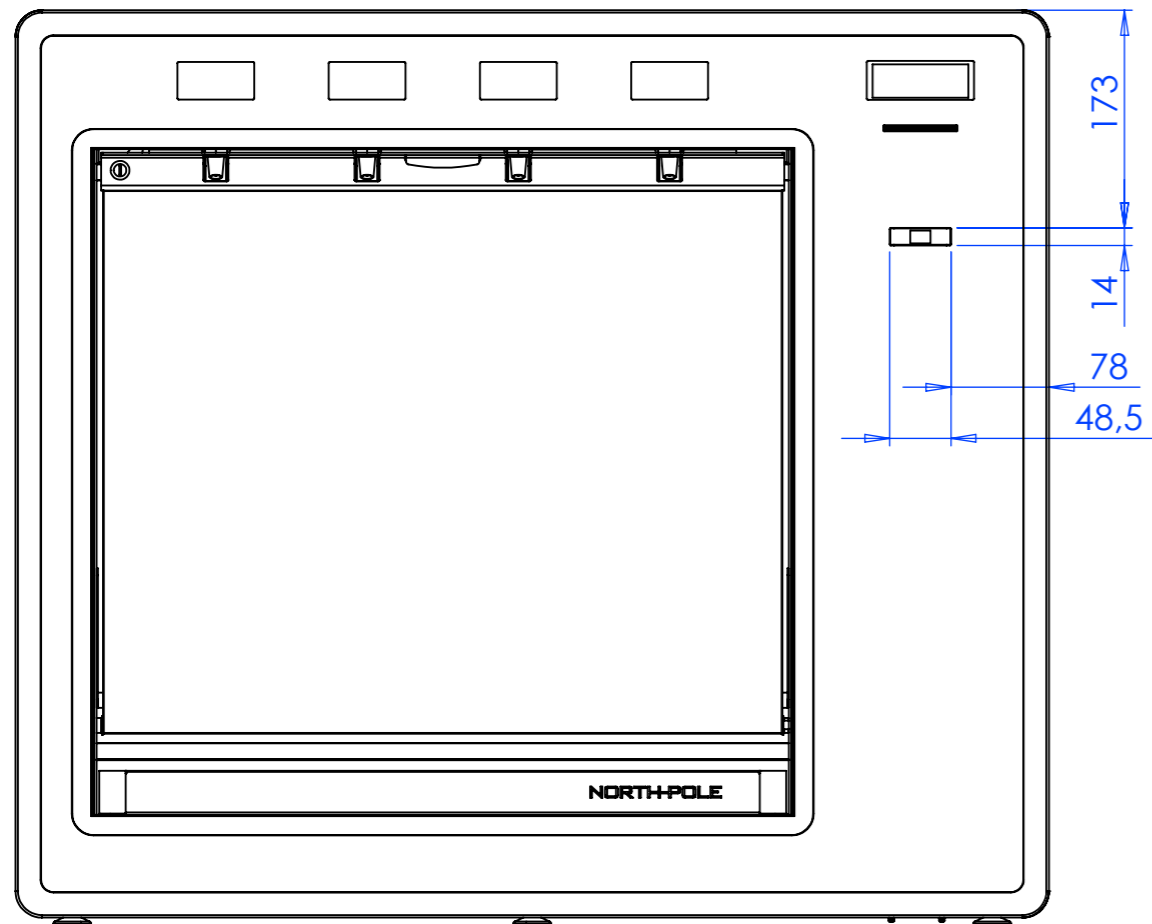
NORTH POLE CUSTOM CONFIGURATION



MAGNETIC READER



FINGERPRINT READER



BARCODE READER

PROPRIETARY AND CONFIDENTIAL
 THE INFORMATION CONTAINED IN THIS DRAWING IS THE SOLE PROPERTY OF <INSERT COMPANY NAME HERE>. ANY REPRODUCTION IN PART OR AS A WHOLE WITHOUT THE WRITTEN PERMISSION OF <INSERT COMPANY NAME HERE> IS PROHIBITED.



TITLE: NORTH POLE			
DWG NO. ND-YM000		A3	
REV. :0001			
SCALE:1:6	LANGUAGE: ENGLISH	FINISH:	THICKNESS:
		SHEET 6 OF 6	

CODE:	MATERIAL:	MATERIAL CODE:	WEIGHT Kg: