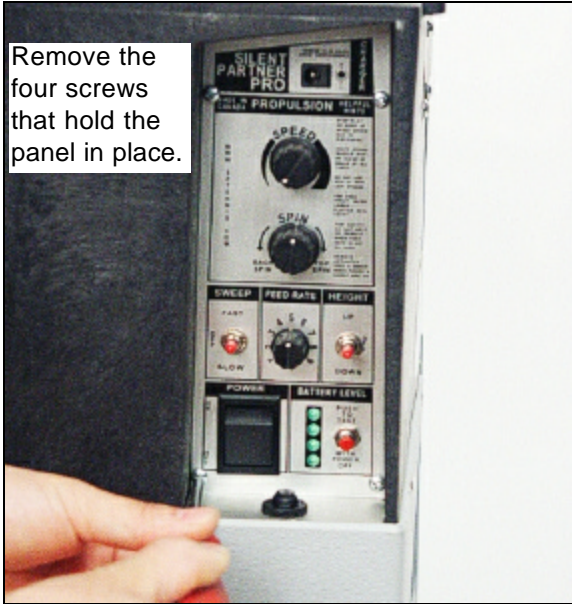
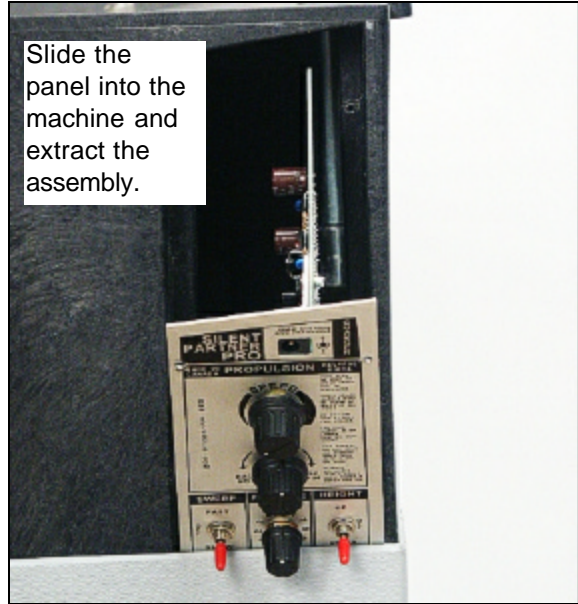


REPLACING A POWER SWITCH ON A SILENT PARTNER BALL MACHINE

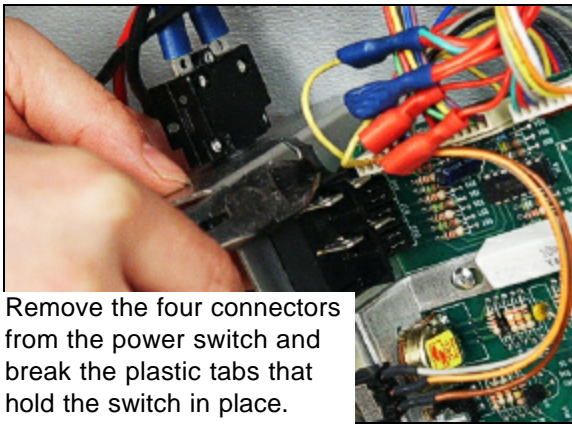
Remove the four screws that hold the panel in place.



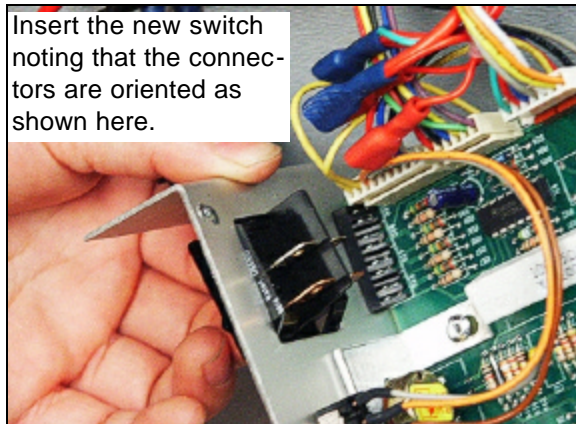
Slide the panel into the machine and extract the assembly.



Remove the four connectors from the power switch and break the plastic tabs that hold the switch in place.



Insert the new switch noting that the connectors are oriented as shown here.



Place the nonnectors on the power switch making sure that they are secure. This picture shows a full view of the connections on the circuit board. Test the machine by turning it on. If both propulsion wheels fail to turn, you should also change the reset button.

