

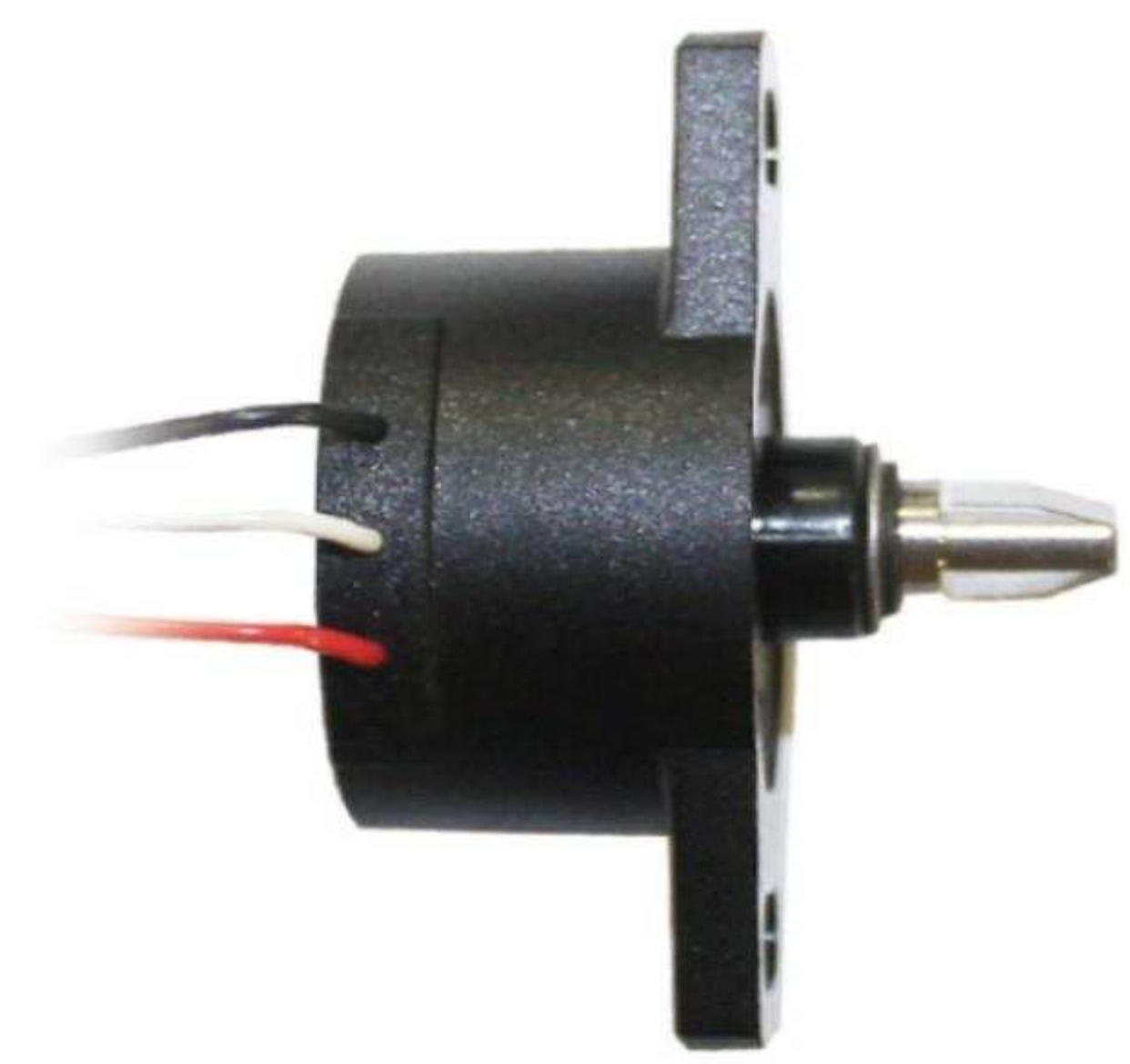
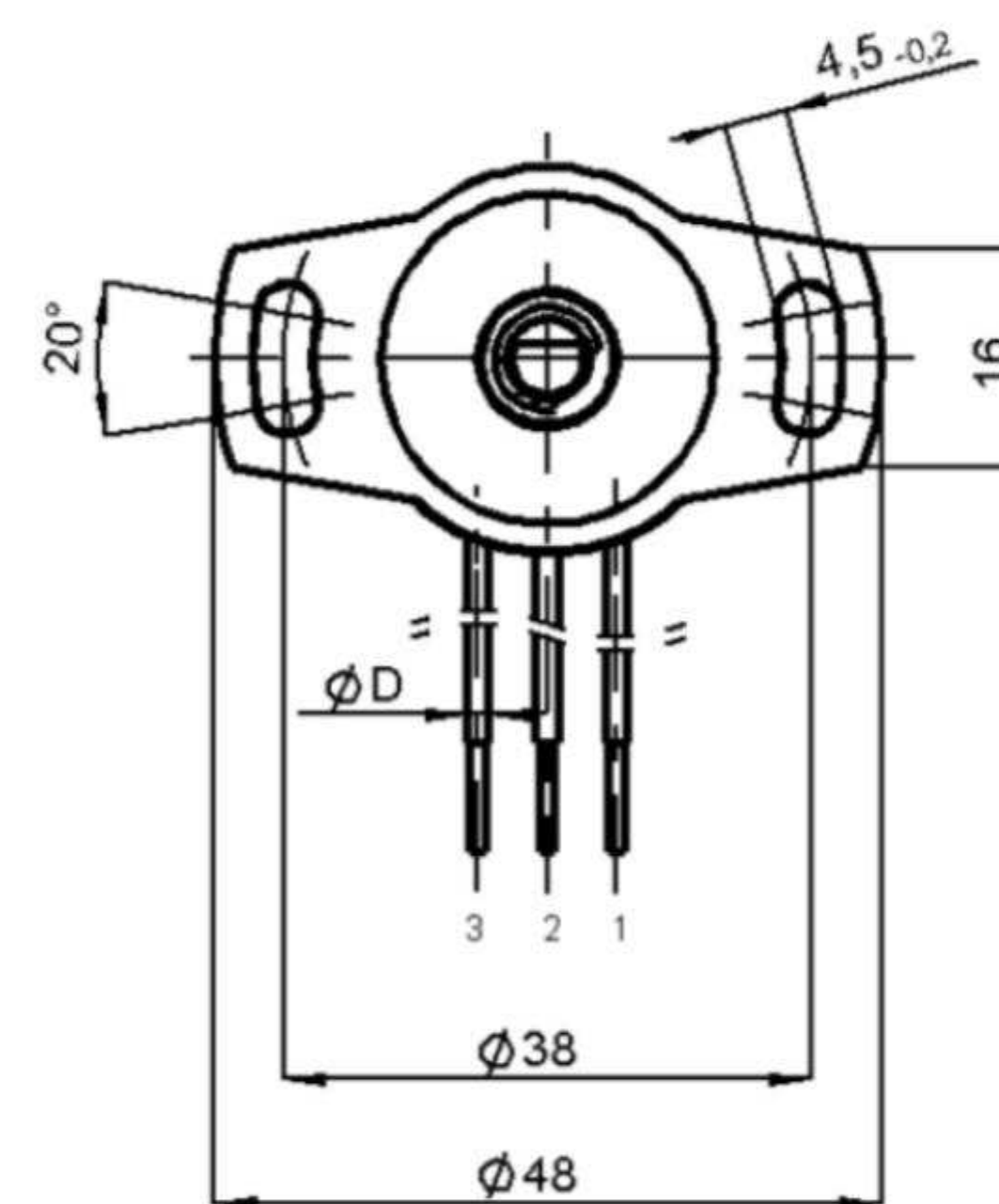
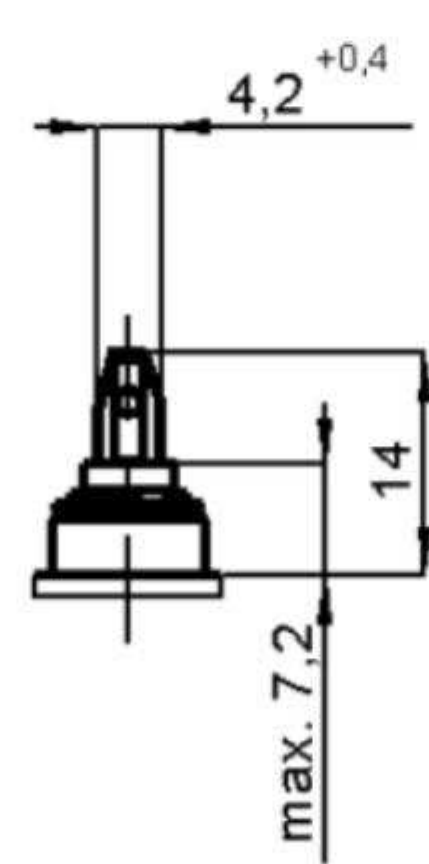
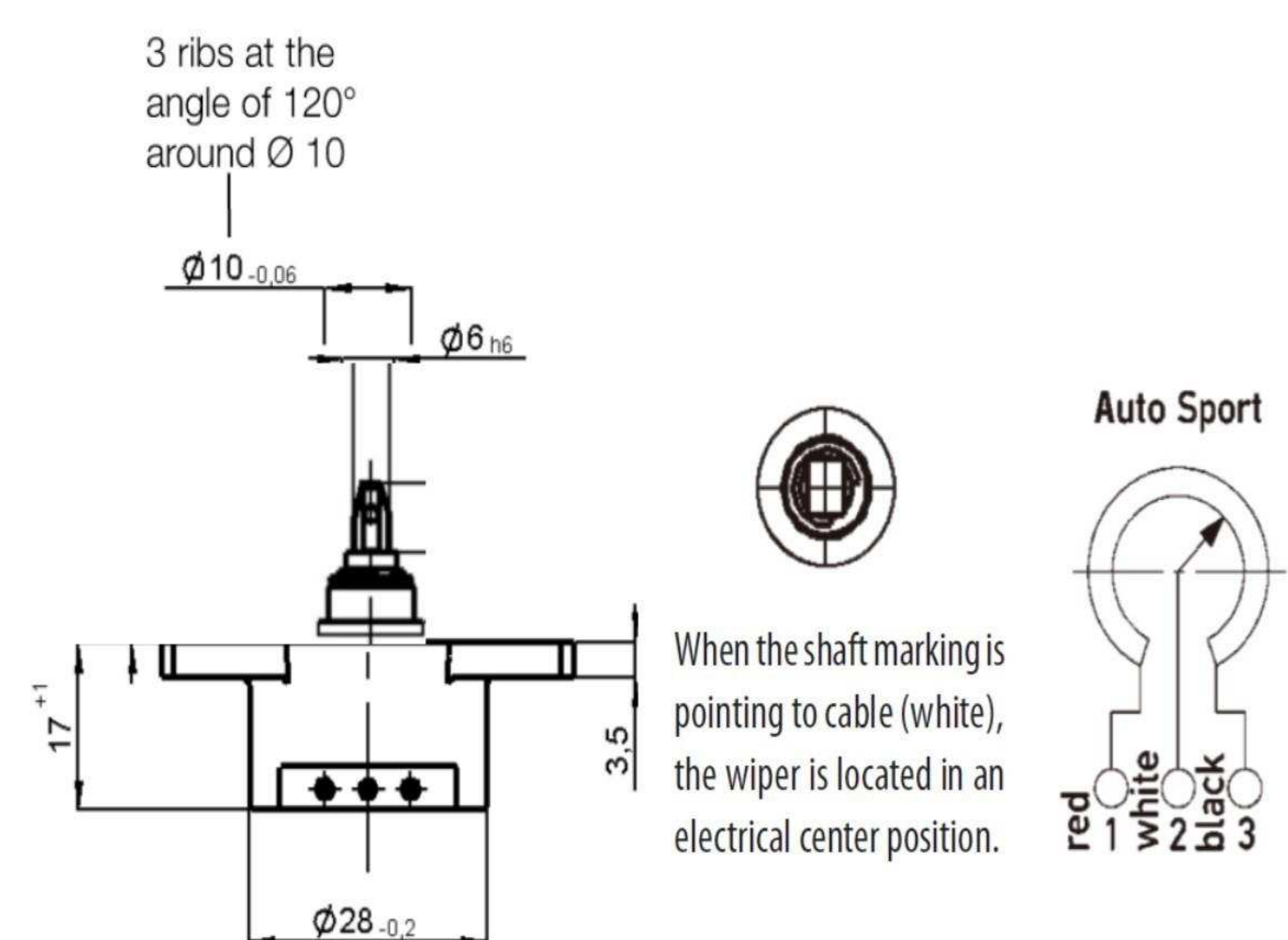


RPS

Rotary Position Sensor

Life expectancy
Operational speed
Environmental sealing
Temperature range
Cable type
Cable length
Repeatability
Maximum supply voltage

50 million cycles
120 RPM
IP 65
-40 to +150°C
Raychem 55, 22 AWG
1000 mm
0.01 %
42 V



Part No.	Electrical Angle +/-1°	Linearity +/-	Housing Material	Shaft Type	Nominal Resistance +/- 20%
RPS 100 002 101	100	1%	Duraplast	Push-on	3K
RPS 100 054 101	308	0.50%	Duraplast	Push-on	3K
RPS 100 067 102	2 x 100	1%	Duraplast	Push-on	2 x 3K
RPS 130 050 101	130	1%	Duraplast	Push-on	3K
RPS 130 069 101	130	0.50%	Duraplast	Push-on	3K
RPS 308 000 101	308	0.30%	Duraplast	Push-on	5K
RPS 345 065 101	345	0.30%	Duraplast	Push-on	5K
RPS 350 082 101	350	0.30%	Duraplast	Push-on	5K

In the interest of continuous product improvement, we reserve the right to alter without prior notice the specifications and features described in this document.