

Low cost motorsport linear sensors

RSL Series

Pulling Rod Type Unique Features

- ▶ Mini design for limited space
- ▶ Anodised Aluminium Housing
- ▶ Three mounting methods
- ▶ Very Long Life : $>100 \times 10^6$ Cycles
- ▶ Stroke : 10-150mm
- ▶ Outstanding Linearity up to: $\pm 0.1\%$
- ▶ High Resolution : Infinite
- ▶ Excellent Repeatability : ± 0.01 mm
- ▶ Max operating speed : 5m/s max.
- ▶ Rsl A - two self-aligning ball joints
- ▶ Sealing IP 65 standard
- ▶ Fuse Protected optional
- ▶ Operating Temperature : $-30 - 100^\circ\text{C}$
- ▶ Storage Temperature : $-30 - 120^\circ\text{C}$



This mini position transducer is designed for direct absolute measurement and available in stroke length up to 150mm. The mini design is suitable for mounting in instruments or machines with limited space. An improved technique for making connection to resistance track (Double Trimming Technique) ensures track (double Trimming Technique) ensures the higher degrees of reliability and linearity, while multi-fingers wipers stabilize output signals, even in the most adverse working conditions.

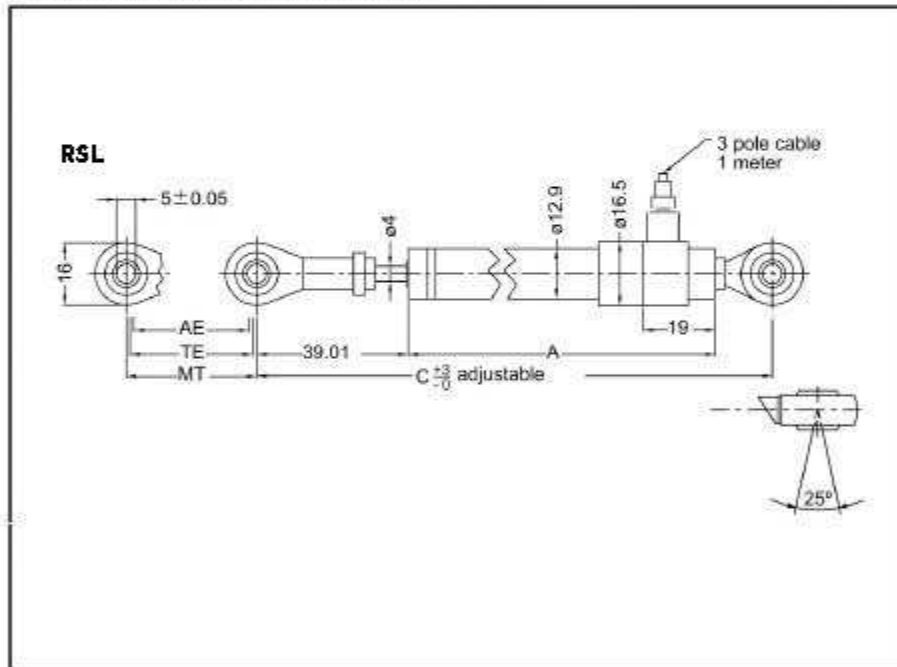
Technical Specifications

Performance Sealing Current Operating Force Power Consumption Output Smoothness Input Voltage Insulation Voltage Vibration Shock	Standard Resistance Wiper IEC 68-2-6:1982 10g IEC 68-2-29:1968 40g	IP65 <10mA <1mA <5N (IP65) 3W-10W $\pm 0.1\%$ against input voltage 60 V Max 500V-1 min Residue <5uA
--	--	---

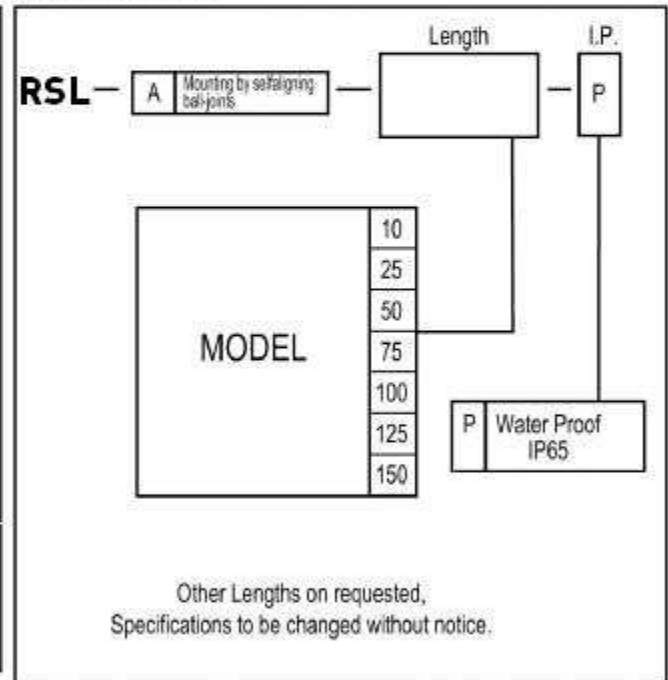


RSL Series Low cost motorsport linear sensors

ELECTRICAL CONNECTIONS



ORDER CODE



RSL series		10	25	50	75	100	125	150
Total Electrical Travel(T.E)	mm	11	26	51	76	101	126	151
Active Electrical Travel (A.E)	mm	10	25	50	75	100	125	150
Resistance $\pm 20\%$	k Ω	1	1	2	3	4	5	5
Independent Linearity	$\pm\%$	0.3	0.2	0.1	0.1	0.1	0.05	0.05
Mechanical Travel (M.T)	mm	15	30	55	80	105	130	155
Resolution		infinite						
Recommended Cursor Current	μA	< 1						
Temperature Range	$^\circ C$	-30 to +100						
Dimensions (A)	mm	87	102	127	152	177	202	227
Dimensions (C)	mm	138	153	178	203	228	253	278
Net Weight	g m	55	70	80	90	100	110	120

* Dimensions for reference only

