

	THREAD	A DIA		B		C	D		E	F		H DIA	J	K
		MAX	MIN	MAX	MIN		MAX	MIN		MAX	MIN			
AN3	10 - 32 UNF-3A	0.189	0.186	0.377	0.365	0.43	0.141	0.109	17/64	0.047	0.015	0.335	0.07	0.046
AN4	1/4 - 28 UNF-3A	0.249	0.246	0.44	0.428	0.51	0.172	0.14	5/16	0.047	0.015	0.398	0.076	0.046
AN5	5/16 - 24 UNF-3A	0.312	0.309	0.502	0.49	0.58	0.204	0.172	23/64	0.063	0.031	0.46	0.076	0.07
AN6	3/8 - 24 UNF-3A	0.374	0.371	0.565	0.553	0.65	0.235	0.203	7/16	0.063	0.031	0.523	0.106	0.07
AN7	7/16 - 20 UNG-3A	0.437	0.433	0.627	0.625	0.72	0.266	0.234	31/64	0.063	0.031	0.585	0.106	0.07

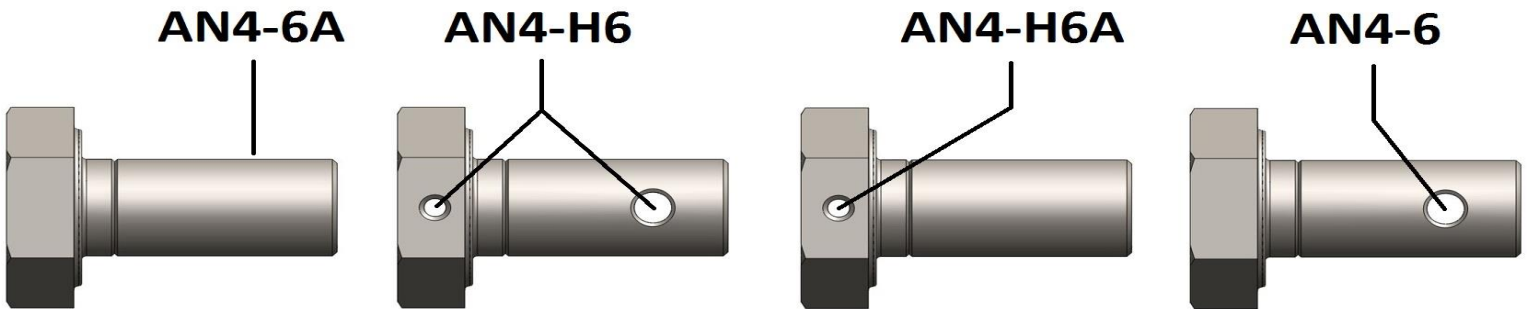
ADD "C" BEFORE DASH NUMBER FOR CORROSION-RESISTANT STEEL BOLT

ADD "DD" BEFORE DASH NUMBER FOR ALUMINUM ALLOY BOLT

ADD "A" AFTER DASH NUMBER FOR UNDRILLED BOLT

ADD "H" BEFORE DASH NUMBER FOR BOLT WITH DRILLED HEAD AND SHANK

ADD "H" BEFORE DASH NUMBER AND "A" AFTER DASH NUMBER FOR BOLT WITH DRILLED HEAD ONLY



FSAEPARTS.COM

DASH #	AN3		AN4		AN5		AN6		AN7	
	Grip ± .016	Length +0.031 -0.016	Grip ± .016	Length +0.031 -0.016	Grip ± .016	Length +0.031 -0.016	Grip ± .016	Length +0.031 -0.016	Grip ± .016	Length +0.031 -0.016
3	1/16	15/32	1/16	15/32						
4	1/8	17/32	1/16	17/32	1/16	19/32				
5	1/4	21/32	3/16	21/32	3/16	23/32	1/16	45/64	1/16	23/32
6	3/8	25/32	5/16	25/32	5/16	27/32	3/16	53/64	3/16	27/32
7	1/2	29/32	7/16	29/32	7/16	31/32	5/16	61/64	5/16	31/32
10	5/8	1 1/32	9/16	1 1/32	9/16	1 3/32	7/16	1 5/64	7/16	1 3/32
11	3/4	1 5/32	11/16	1 5/32	11/16	1 7/32	9/16	1 13/64	9/16	1 7/32
12	7/8	1 9/32	13/16	1 9/32	13/16	1 11/32	11/16	1 21/64	11/16	1 11/32
13	1	1 13/32	15/16	1 13/32	15/16	1 15/32	13/16	1 29/64	13/16	1 15/32
14	1 1/8	1 17/32	1 1/16	1 17/32	1 1/16	1 19/32	15/16	1 37/64	15/16	1 19/32
15	1 1/4	1 21/32	1 3/16	1 21/32	1 3/16	1 23/32	1 1/16	1 45/64	1 1/16	1 23/32
16	1 3/8	1 25/32	1 5/16	1 25/32	1 5/16	1 27/32	1 3/16	1 53/64	1 3/16	1 27/32
17	1 1/2	1 29/32	1 7/16	1 29/32	1 7/16	1 31/32	1 5/16	1 61/64	1 5/16	1 31/32
20	1 5/8	2 1/32	1 9/16	2 1/32	1 9/16	2 3/32	1 7/16	2 5/64	1 7/16	2 3/32
21	1 3/4	2 5/32	1 11/16	2 5/32	1 11/16	2 7/32	1 9/16	2 13/64	1 9/16	2 7/32
22	1 7/8	2 9/32	1 13/16	2 9/32	1 13/16	2 11/32	1 11/16	2 21/64	1 11/16	2 11/32
23	2	2 13/32	1 15/16	2 13/32	1 15/16	2 15/32	1 13/16	2 29/64	1 13/16	2 15/32
24	2 1/8	2 17/32	2 1/16	2 17/32	2 1/16	2 19/32	1 15/16	2 37/64	1 15/16	2 19/32
25	2 1/4	2 21/32	2 3/16	2 21/32	2 3/16	2 23/32	2 1/16	2 45/64	2 1/16	2 23/32
26	2 3/8	2 25/32	2 5/16	2 25/32	2 5/16	2 27/32	2 3/16	2 53/64	2 3/16	2 27/32
27	2 1/2	2 29/32	2 7/16	2 29/32	2 7/16	2 31/32	2 5/16	2 61/64	2 5/16	2 31/32
30	2 5/8	3 1/32	2 9/16	3 1/32	2 9/16	3 3/32	2 7/16	3 5/64	2 7/16	3 3/32
31	2 3/4	3 5/32	2 11/16	3 5/32	2 11/16	3 7/32	2 9/16	3 13/64	2 9/16	3 7/32
32	2 7/8	3 9/32	2 13/16	3 9/32	2 13/16	3 11/32	2 11/16	3 21/64	2 11/16	3 11/32
33	3	3 13/32	2 15/16	3 13/32	2 15/16	3 15/32	2 13/16	3 29/64	2 13/16	3 15/32
34	3 1/8	3 17/32	3 1/16	3 17/32	3 1/16	3 19/32	2 15/16	3 37/64	2 15/16	3 19/32
35	3 1/4	3 21/32	3 3/16	3 21/32	3 3/16	3 23/32	3 1/16	3 45/64	3 1/16	3 23/32
36	3 3/8	3 25/32	3 5/16	3 25/32	3 5/16	3 27/32	3 3/16	3 53/64	3 3/16	3 27/32
37	3 1/2	3 29/32	3 7/16	3 29/32	3 7/16	3 31/32	3 5/16	3 61/64	3 5/16	3 31/32
40	3 5/8	4 1/32	3 9/16	4 1/32	3 9/16	4 3/32	3 7/16	4 5/64	3 7/16	4 3/32
41	3 3/4	4 5/32	3 11/16	4 5/32	3 11/16	4 7/32	3 9/16	4 13/64	3 9/16	4 7/32
42	3 7/8	4 9/32	3 13/16	4 9/32	3 13/16	4 11/32	3 11/16	4 21/64	3 11/16	4 11/32
43	4	4 13/32	3 15/16	4 13/32	3 15/16	4 15/32	3 13/16	4 29/64	3 13/16	4 15/32
44	4 1/8	4 17/32	4 1/16	4 17/32	4 1/16	4 19/32	3 15/16	4 37/64	3 15/16	4 19/32
45	4 1/4	4 21/32	4 3/16	4 21/32	4 3/16	4 23/32	4 1/16	4 45/64	4 1/16	4 23/32
46	4 3/8	4 25/32	4 5/16	4 25/32	4 5/16	4 27/32	4 3/16	4 53/64	4 3/16	4 27/32
47	4 1/2	4 29/32	4 7/16	4 29/32	4 7/16	4 31/32	4 5/16	4 61/64	4 5/16	4 31/32
50	4 5/8	5 1/32	4 9/16	5 1/32	4 9/16	5 3/32	4 7/16	5 5/64	4 7/16	5 3/32
51	4 3/4	5 5/32	4 11/16	5 5/32	4 11/16	5 7/32	4 9/16	5 13/64	4 9/16	5 7/32
52	4 7/8	5 9/32	4 13/16	5 9/32	4 13/16	5 11/32	4 11/16	5 21/64	4 11/16	5 11/32
53	5	5 13/32	4 15/16	5 13/32	4 15/16	5 15/32	4 13/16	5 29/64	4 13/16	5 15/32
54	5 1/8	5 17/32	5 1/16	5 17/32	5 1/16	5 19/32	4 15/16	5 37/64	4 15/16	5 19/32
55	5 1/4	5 21/32	5 3/16	5 21/32	5 3/16	5 23/32	5 1/16	5 45/64	5 1/16	5 23/32
56	5 3/8	5 25/32	5 5/16	5 25/32	5 5/16	5 27/32	5 3/16	5 53/64	5 3/16	5 27/32
57	5 1/2	5 29/32	5 7/16	5 29/32	5 7/16	5 31/32	5 5/16	5 61/64	5 5/16	5 31/32
60	5 5/8	6 1/32	5 9/16	6 1/32	5 9/16	6 3/32	5 7/16	6 5/64	5 7/16	6 3/32
61	5 3/4	6 5/32	5 11/16	6 5/32	5 11/16	6 7/32	5 9/16	6 13/64	5 9/16	6 7/32
62	5 7/8	6 9/32	5 13/16	6 9/32	5 13/16	6 11/32	5 11/16	6 21/64	5 11/16	6 11/32
63	6	6 13/32	5 15/16	6 13/32	5 15/16	6 15/32	5 13/16	6 29/64	5 13/16	6 15/32
64	6 1/8	6 17/32	6 1/16	6 17/32	6 1/16	6 19/32	5 15/16	6 37/64	5 15/16	6 19/32
65	6 1/4	6 21/32	6 3/16	6 21/32	6 3/16	6 23/32	6 1/16	6 45/64	6 1/16	6 23/32
66	6 3/8	6 25/32	6 5/16	6 25/32	6 5/16	6 27/32	6 3/16	6 53/64	6 3/16	6 27/32
67	6 1/2	6 29/32	6 7/16	6 29/32	6 7/16	6 31/32	6 5/16	6 61/64	6 5/16	6 31/32
70	6 5/8	7 1/32	6 9/16	7 1/32	6 9/16	7 3/32	6 7/16	7 5/64	6 7/16	7 3/32
71	6 3/4	7 5/32	6 11/16	7 5/32	6 11/16	7 7/32	6 9/16	7 13/64	6 9/16	7 7/32
72	6 7/8	7 9/32	6 13/16	7 9/32	6 13/16	7 11/32	6 11/16	7 21/64	6 11/16	7 11/32
73	7	7 13/32	6 15/16	7 13/32	6 15/16	7 15/32	6 13/16	7 29/64	6 13/16	7 15/32
74	7 1/8	7 17/32	7 1/16	7 17/32	7 1/16	7 19/32	6 15/16	7 37/64	6 15/16	7 19/32
75	7 1/4	7 21/32	7 3/16	7 21/32	7 3/16	7 23/32	7 1/16	7 45/64	7 1/16	7 23/32
76	7 3/8	7 25/32	7 5/16	7 25/32	7 5/16	7 27/32	7 3/16	7 53/64	7 3/16	7 27/32
77	7 1/2	7 29/32	7 7/16	7 29/32	7 7/16	7 31/32	7 5/16	7 61/64	7 5/16	7 31/32
80	7 5/8	8 1/32	7 9/16	8 1/32	7 9/16	8 3/32	7 7/16	8 5/64	7 7/16	8 3/32