

The HT Series is perfect for the most demanding industrial environments. Designed to shed moisture and dust in high temperature environments. Lamped with T8 or T5 linear fluorescent, the HT is available in 2, 3, 4, 5 and 6 lamp configurations. HT fixtures are proudly 'Made In The U.S.A.'.

### HIGH-TEMP Industrial Fixture



#### FEATURES & BENEFITS

- **TOOL-FREE MAINTENANCE:** AEI leads the industry with access to all internal components without the use of tools.
- **SOLID-SLOPED FIXTURE TOP:** Roof is made without holes or rivets to shed moisture and dust.
- **HIGH TEMP 90C BALLAST:** Manufactured with the exclusive use of 90C high-temperature program start ballasts. These ballasts not only hold up in extreme heat, they also extend the life of linear fluorescent lamps.
- **VENTED FIXTURE BODY:** Specially ventilated housing construction provides optimal airflow for long ballast life even in high temperature applications.
- **FACTORY-INSTALLED OCCUPANCY SENSORS:** Integrated sensor placement within fixture body, pre-installed at the factory. Fixture mounted sensor provides the ultimate level of control in any space.

#### SPECIFICATIONS

- **CONSTRUCTION:** High-quality all aluminum fixture body. Code Gauge Post-Powdercoat CRS Housing is optional. End caps are vented to keep ballast cool in a wide range of operating temperatures.
- **REFLECTOR DESIGN:** Available in task, narrow or wide distribution. Enhanced specular aluminum (Miro 4) reflectors are standard.
- **ELECTRICAL:** Universal voltage 120 through 277V, 90 C Program-start ballasts are standard. Ballast factor must be specified.
- **MOUNTING:** Specially designed fixture and caps provide convenient 5/16-inch holes for Y-hook, toggle or snap hook cables.
- **LISTING:** UL-Listed for damp and high-temperature locations.

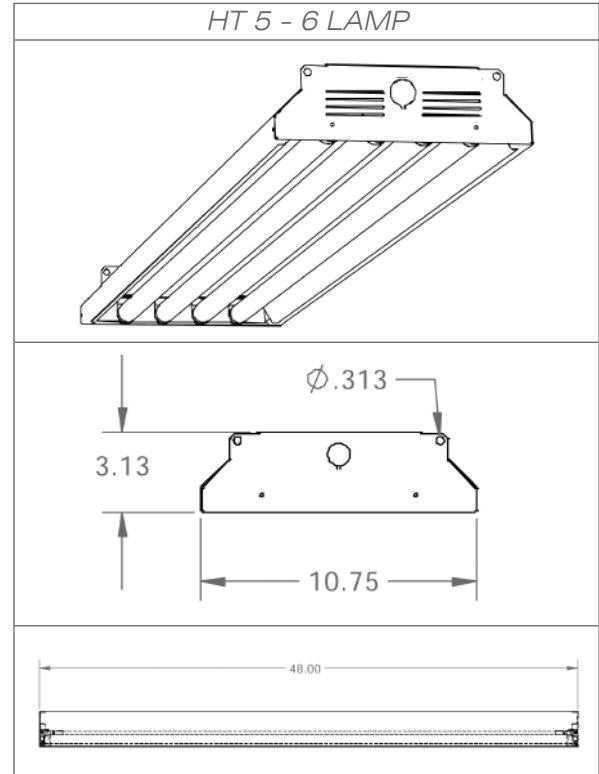
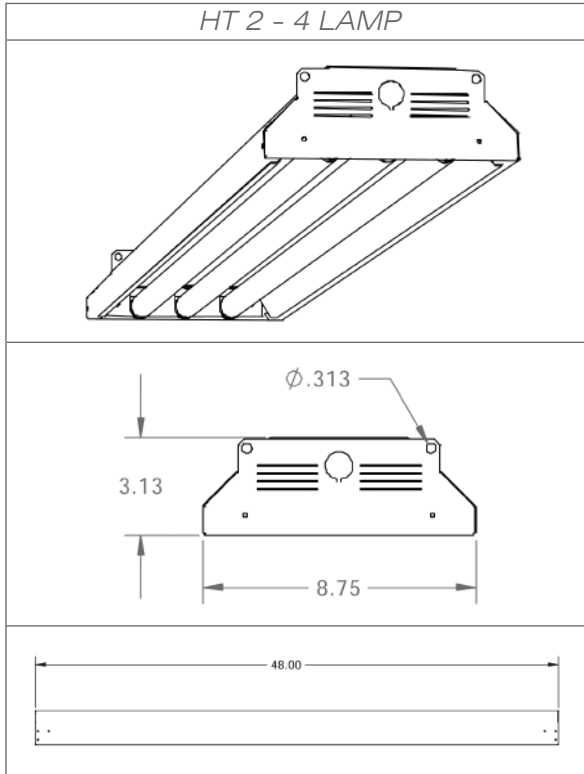


# HT Industrial Series

HT Industrial Series

2, 3, 4, 5 & 6 LAMP FIXTURE

## DIMENSIONS



## ORDERING GUIDE

Fixture Model	# Of Lamps	Wattage	Voltage	Ballast Factor	Lamp Color	Options
<b>HT</b>	<p><b># OF LAMPS 4-FOOT</b> 1 = 1 Lamp, 2 = 2 Lamps, 3 = 3 Lamps 4 = 4 Lamps, 6 = 6 Lamps</p> <p><b># OF LAMPS 8-FOOT</b> 2 = 2 Lamps, 4 = 4 Lamps, 6 = 6 Lamps</p>	<p><b>WATTAGE</b> 32 = 32W 4-Foot Nominal Length Consult Factory When Application Requires Other TB Wattages</p>	<p><b>VOLTAGE</b> 12 = 120V 27 = 277V 34 = 347V 48 = 480V UNI = 120-277V 90C = 120-277V 90°C</p>	<p><b>BALLAST FACTOR</b> ISL = Instant Start Low Ballast Factor ISN = Instant Start Normal Ballast Factor ISH = Instant Start High Ballast Factor PS = Programmed Start / Rapid Start PSH = Programmed Start/Rapid Start HB Factor</p>	<p><b>LAMP COLOR</b> 30 = 3000K 35 = 3500K 41 = 4100K 50 = 5000K 65 = 6500K Leave Blank If No Lamps 800 Series Standard. Add '7' in front of Color for 700 Series applications</p>	<p><b>SENSORS</b> OC1 = Asile Sensor OC3 = 360-Degree Sensor OCLT = 360-Degree Low-Temp. Sensor When specific brand of sensor is required, please add to 'notes' line in Purchase Order. Consult Factory for more sensor options</p> <p><b>CORDS / PLUGS</b> XC = Length + Cord Only XCP = Length/Cord + Style/Plug Consult Factory For More Options</p> <p><b>HOUSING/REFLECTORS</b> WH = White Reflector</p> <p><b>OTHER</b> CTD = Cooled Lamps TG = Tube Guards CST = Custom Consult Factory For Custom Applications and Custom Ordering Number</p>



**AEI LIGHTING**