

CFH 454 654

T5HO Aluminum or Steel
High-Bay Industrial Fixtures



HiMax Energy Saving High-Performance Fluorescent Lighting Systems

FEATURES & BENEFITS

- **Over 50% Energy Savings Compared to HID** - T5HO lamps and ballasts save more than 50% over older HID and T12 Fluorescent lighting systems.
- **Longer Lamp Life For T5HO!** T5HO lamps are rated for up to 35,000 hours, nearly twice that of typical fluorescent and HID lamps.
- **95% Lumen Maintenance For T5HO** - HID light levels drop as much as 60% as the lamps age. T5HO light levels maintain 95% over the life of the lamp.
- **Instant On...Instant Restrike...No Flicker!** T5HO ballast technology eliminates flicker and provides instant on and instant restrike while maintaining light levels during dips and peaks.
- **Cool Operation** - Vented aluminum housing construction provides optimal ballast performance and long life.
- **Color Quality and Consistency** - T5HO lamps are 80CRI or greater, providing excellent color quality over the life of the lamp, thus enhancing visual comfort.
- **Factory Installed Occupancy Sensors** - Auto on/off functions are available for energy savings and extended life using integral sensor design.

SPECIFICATIONS

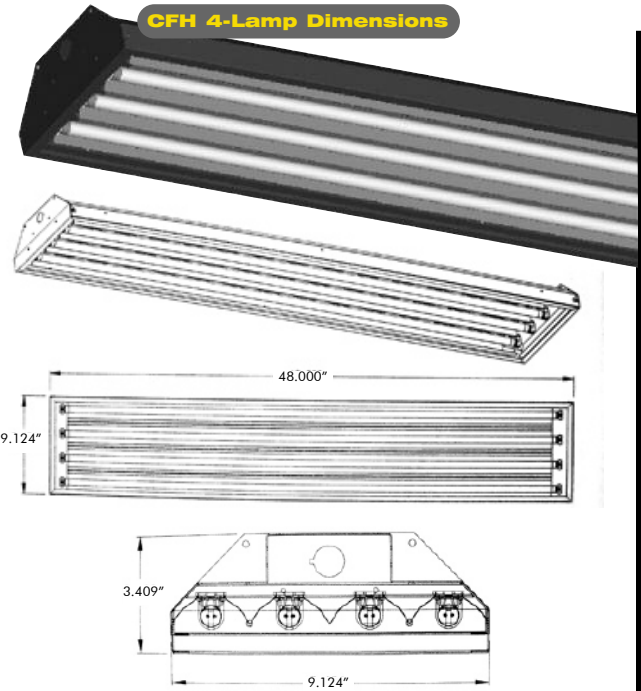
CONSTRUCTION: Aluminum Housing standard. Code Gauge Post-Powdercoat CRS Housing is optional. Housing is vented to keep ballast cool in a wide range of operating temperatures.

REFLECTOR DESIGN: Specular Miro4® reflectors standard. White reflectors are optional. Consult AEL for other reflector options.

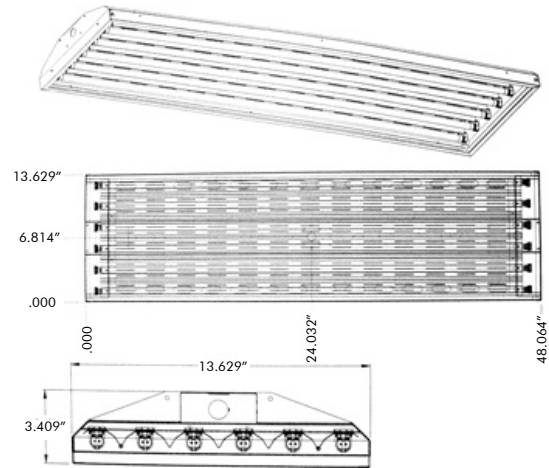
ELECTRICAL: 120 or 277V, 75°C programmed start ballasts standard. Universal voltage or 347, 480V and 90°C ballasts as well as other options are available upon request. Emergency ballasts available.

MOUNTING: Surface, Chain or Pendant mounting options available. See our Labor Saving Installation Guide for mounting designs.

LISTING: UL Listed for Damp Locations.



CFH 6-Lamp Dimensions



ADVANCED ENERGY IDEAS, INC.

CFH 454 654

ORDERING GUIDE



BRINGING YOU OUT OF THE DARK AGES!

Fixture Model	Housing	# Of Lamps Wattage	Lens	Voltage	Lamp Color	Options	Mounting
CFH							
CONSULT AELighting.com for Photometric Information On This Fixture	HOUSING TYPE AL=Aluminum CRS=Cold Rolled Steel	# OF LAMPS 2=2 Lamp 3=3 Lamp 4=4 Lamp WATTAGE 54=54W 4-foot Nominal Length <i>Consult Factory When Application Requires Other Wattages</i>	LENS CL=Clear Acrylic PR=Prismatic PC=Polycarbonate VR=Vandal Resistant <i>Leave Blank If No Lens</i>	VOLTAGE 12=120V 27=277V 34=347V 48=480V UNI=120-277V 90C=120-277V 90°C	LAMP COLOR 30=3000K 35=3500K 41=4100K 50=5000K 65=6500K <i>Leave Blank if No Lamps</i>	CORDS / PLUGS X=C=Length + Cord Only X'CX=Length/Cord + Style/Plug <i>Consult Factory For More Options</i> BALLASTS EM=XXX=Emergency Ballast/Lumens DIM=Dimming Ballast <i>Consult Factory For Ballast Options</i> HOUSING/REFLECTORS UH=Upright WH=White Reflector SENSORS See the T5LS Cut Sheet for Sensorized Fixtures OTHER CTD=Coated Lamps TG=Tube Guards <i>Consult Factory For Custom Applications and Ordering Number</i>	Mounting VH=V-Hook HK=3/4" Hook GPLX=Grippler + Style (L,S,T,Y) <i>Consult Options Guidelines For Grippler Details</i> HUB=3/4" Hub X'ST=Length + Galvanized Stem SB=3/4" Slide Box Assembly Hub and Stem Optional SP=3/4" Single Point Bracket Hub and Stem Optional

AEI LIGHTING INC.
1113 West Birchwood Avenue
Mesa, AZ 85210
TEL 480.733.6594
FAX 480.733.6596
WEB www.aeilighting.com

Project Name _____ Fixture Type _____

Catalog # _____ Quantity _____