

ColdMax

Lighting For Subzero Environments
Rated down to -29C/-20F

T5FR 454 654

4- & 6-Lamp T5HO Sealed & Gasketed For Extreme Environments



FEATURES & BENEFITS

- **Patented Push-Button Access** - AEI leads the industry with access to all internal components without the use of tools. Lamp tray swings out of the way without removing lamps for access to the ballast compartment.
- **Over 50% Energy Savings Compared to HID** - T5HO lamps and ballasts save more than 50% over older HID and T12 Fluorescent lighting systems.
- **Longer Lamp Life For T5HO!** T5HO lamps are rated for up to 35,000 hours, nearly twice that of fluorescent/HID lamps.
- **95% Lumen Maintenance For T5HO** - HID light levels drop as much as 60% as the lamps age. T5HO light levels maintain 95% over the life of the lamp.
- **Instant On...Instant Restrike...No Flicker!** T5HO ballast technology eliminates flicker and provides instant on and instant restrike while maintaining light levels during dips and peaks.
- **Sealed & Gasketed** for cold and damp environments.
- **Color Quality and Consistency** - T5HO lamps are 80CRI or greater, providing excellent color quality over the life of the lamp, thus enhancing visual comfort.
- **Factory Installed Occupancy Sensors** - Auto on/off functions are available for energy savings and extended life using integral sensor design.

SPECIFICATIONS

CONSTRUCTION: Aluminum Housing is standard. Housing design keeps ballast cool in a range of operating temperatures. Rubber gasket provides full seal for fixture.

REFLECTOR DESIGN: Specular Miro4® reflectors standard. White reflectors are optional. Consult AEI for other reflector options.

ELECTRICAL: Wired per specified voltage using electronic ballast rated for -29 to 90C. 120 or 277V, 75°C programmed start ballasts standard. Universal voltage or 347, 480V and 90°C ballasts as well as other options are available upon request. Emergency ballasts available.

MOUNTING: Surface, Chain or Pendant mounting options available. See our Labor Saving Installation Guide for mounting designs.

LISTING: UL Listed for Damp Locations.

Featuring "Pat'd Push Button Access"

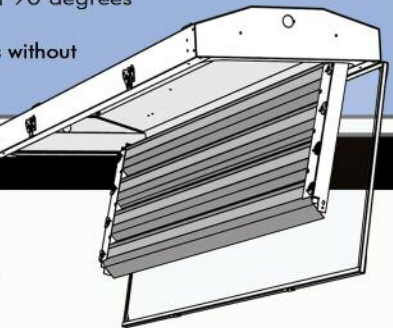
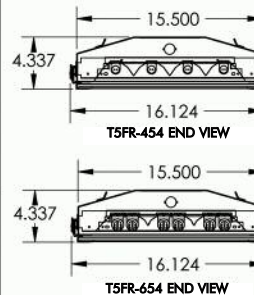


- Step 1. Lift, twist and release latches
- Step 2. Place your thumbs on the buttons
- Step 3. Press thumbs on buttons releasing center assembly
- Step 4. Rest assembly at 90 degrees

Wireway access in seconds without removing lamps, reflectors or use of any tools!

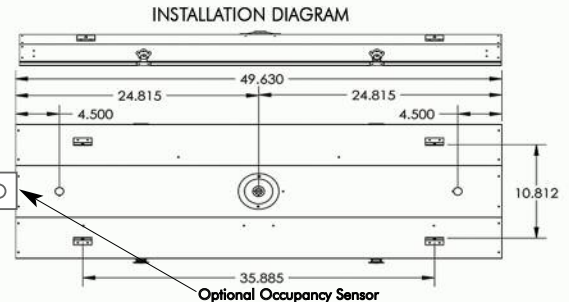
- EASY ACCESS**
No Tools Needed
- REDUCED LABOR**
Replace In Seconds
- SAVES MONEY**
Exclusive Features

DIMENSIONS



	Length	Width	Height
T5FR-454	49.63"	16.12"	4.34"
T5FR-654	49.63"	16.12"	4.34"

*Dimensions will vary depending on the options chosen. For specifications on fixtures with sensors, consult the AEI factory.



*Dimensions are subject to change without notice. Consult factory for details.

ORDERING GUIDE



BRINGING YOU OUT OF THE DARK AGES!

Fixture Model	# Of Lamps Wattage	Lens	Voltage	Lamp Color	Options	Mounting
T5FR						

CONSULT
AEILighting.com
for
Photometric
Information
On This
Fixture

# OF LAMPS 4=4 Lamp 6=6 Lamps WATTAGE 54=54W 4-foot Nominal Length Consult Factory When Application Requires Other Wattages	CL=Clear Acrylic PR=Prismatic PC=Polycarbonate VR=Vandal Resistant Consult Factory For More Details	VOLTAGE UN90=120/277 Volt Ballast Rated -29C to 90C is standard. Consult Factory For Details & Any Specifications that require ballasts other than standard.	30=3000K 35=3500K 41=4100K 50=5000K 65=6500K Consult Factory If Not Ordering Lamps.	SENSORS OCLT=3.60 Degree Low Temp Sensor Low temperature sensors are standard. Styles of occupancy sensors vary and consulting factory before ordering is recommended.	CORDS / PLUGS X'C=Length + Cord Only X'CX=Length/Cord + Style/Plug Consult Factory For More Options	HOUSING/REFLECTORS WH=White Reflector OTHER CTD=Cooled Lamps, TG=Tube Guards CST=Custom Consult Factory For Custom Applications & Custom Ordering Number	VH=V-Hook HK=3/4" Hook GPLX=Gripple + Style (L,S,T) Consult Options Guidelines For Gripple Details HUB=3/4" Hub X'ST=Length + Galvanized Stem SB=3/4" Slide Box Assembly Hub and Stem Optional SP=3/4" Single Point Bracket Hub and Stem Optional
--	--	--	--	---	--	--	--

AEI LIGHTING INC.
1113 West Birchwood Avenue
Mesa, AZ 85210
TEL 480.733.6594
FAX 480.733.6596
WEB www.aeilighting.com

Project Name _____ Fixture Type _____
Catalog # _____ Quantity _____

ADVANCED ENERGY IDEAS, INC.

T5FR 454 654