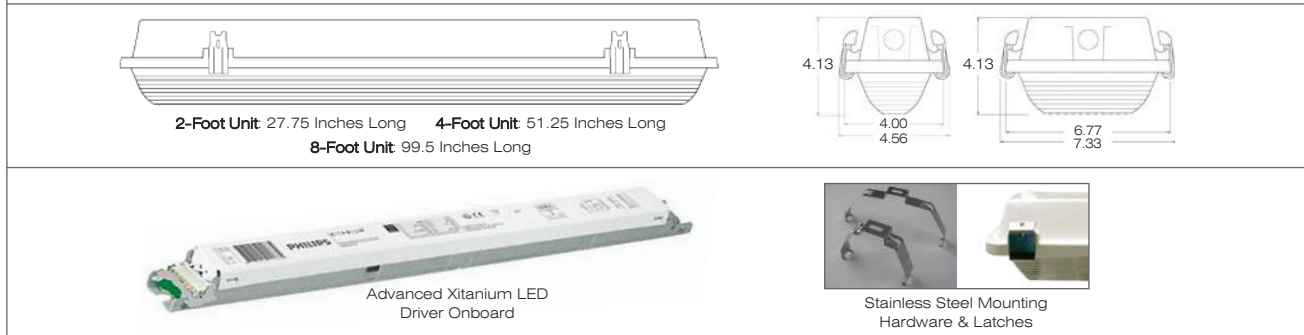


The AEI P-LED Vapor Tight Series is an energy efficient sealed light fixture that is the perfect choice for outdoor, industrial, and refrigerated environments where the fixture will be exposed to cold, moisture or contaminants. Utilizing Philips' Gen II Fortimo boards paired with the Advanced Xitanium LED driver makes for optimal electrical, thermal and optical characteristics and ensures the longevity of the fixture. The P-LED Vapor Tight Series features unparalleled energy savings, low-maintenance cost and lower carbon footprint advantages, making them perfect for replacing traditional cold storage lighting sources.

### VT P-LED Vapor Tight Series



#### AEI P-LED VAPOR TIGHT SERIES



#### FEATURES

- Low profile design
- Poured-in-place gasket and cam latches seal the enclosures from hostile environments
- Tamper-resistant latches available in polycarbonate or stainless steel
- Philips Fortimo Gen II Boards
  - 4K 80CRI Standard - 100LPW
  - 2000 lumens per 1-foot section
  - 4000 lumens per 2-foot section
- Multiple Lumen Output Options
- Constant current
- 0-10V dimming
- Sensor options for added savings
- Long-life, Hg-free=no lamp recycling costs
- Eliminates fluorescent glass hazards in food processing

#### HOUSING

- UL5VA Housing will not melt or burn
- UL Approved as a wireway & through wiring for easy connection abilities
- Weatherability (f1) rated, suitable for outdoor use with respect to ultraviolet exposure, water exposure and immersion in accordance with UL746
- Housing and Lens are IP65 & IP67 Certified
- Surface or chain/cable mounting options available without comprising fixture integrity

#### ELECTRICAL

- Universal input voltage 120-277 VAC, with an option for 347 or 480 VAC
- Advanced Xitanium driver comes with choice of DALI dimmable and programmable, 1-10V dimming or fixed output versions available
- Driver is protected by a 100,000-hour warranty by achieving a case temperature less than 10°C less than the specified maximum case temperature

#### LENS & OPTICAL

- 100% impact modified acrylic lens, withstands wear & tear
- IP65 & IP67-Certified lens available in clear or frosted for different optical designs and characteristics
- Available in 3000K, 4000K and 5000K color temperatures
- Fortimo Gen II boards have minimum CRI of 80 for excellent color rendering for the intended environment
- Fortimo Gen II boards have a superior light efficacy of up to 136 lumens per watt
- Narrow or wide distribution patterns are available to fit your application's needs
- L70 lifetime of the fixture is greater than 50,000 hours

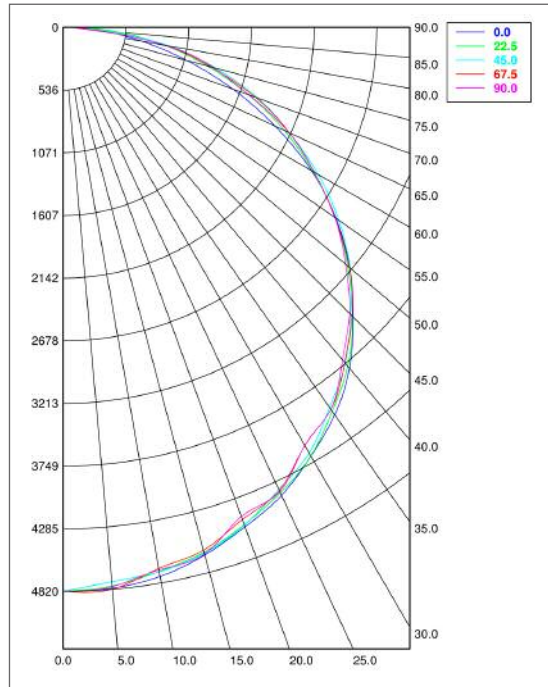


AEI LIGHTING

#### APPLICATIONS

- Suitable for cold storage and food processing
- Commercial Kitchens
- Breweries & Laundries
- Industrial Facilities
- Livestock Containment Buildings
- Car Washes & Parking Garages

#### PHOTOMETRY



#### ORDERING GUIDE

Fixture Model	Length	Power/Wattage	CCT	Voltage	Lens Type	Mounting	Options
<b>PLVT</b>							
	<b>LENGTH</b> 2FT = 2-foot fixture 4FT = 4-foot fixture 8FT = 8-foot fixture	<b>POWER / WATTAGE</b> 36W = Available for 2FT & 4FT 55W = Available for 4FT Only 75W = Available for 4FT & 8FT 150W = Available for 8FT Only	<b>CCT/LAMP COLOR</b> 30K = 3000K 40K = 4000K 50 = 5000K Leave Blank If No Lamps Consult Factory For Custom Applications and Ordering Number	<b>VOLTAGE</b> UNI = 120-277 VAC 347/480 = 347 or 480 VAC	<b>LENS TYPE</b> CLR = CLEAR FST = FROSTED RBD = RIBBED	<b>MOUNTING</b> SRF = SURFACE CHN = CHAIN CBL = CABLE	<b>SENSORS</b> Consult Factory For Sensor Options <b>PHOTO CELL</b> PC = Photo Cell Consult Factory For More Options <b>OTHER</b> Consult Factory For Custom Applications and Ordering Number

**5-YEAR LIMITED WARRANTY**  
 VISIT [AEILighting.com](http://AEILighting.com) for Details  
**480-733-6594**

