

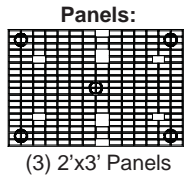


CM364203S

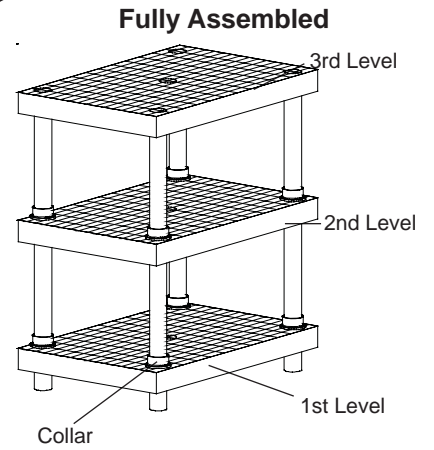
ASSEMBLY INSTRUCTIONS

### Custom 2 SHELF MULTI-LEVEL

#### Components Required for Assembly



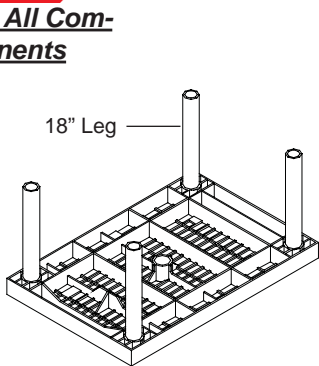
- Legs:**  
 (5) 6"  
 (8) 18"
- Collars:** (8)
- Accessories:**  
 Oil and Sponge



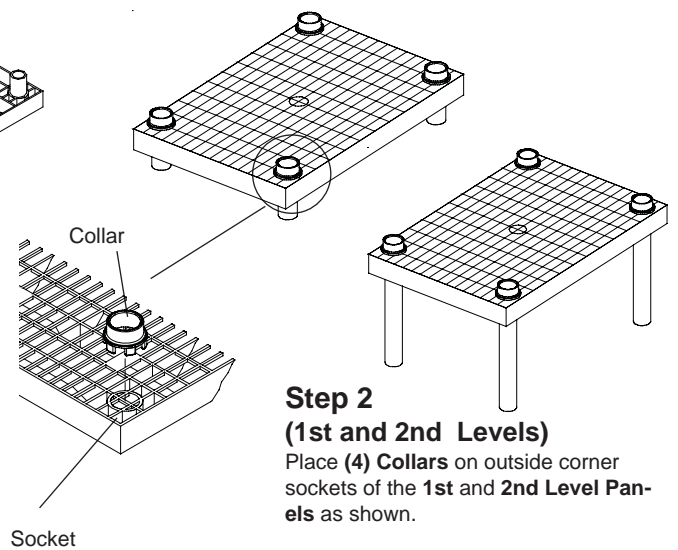
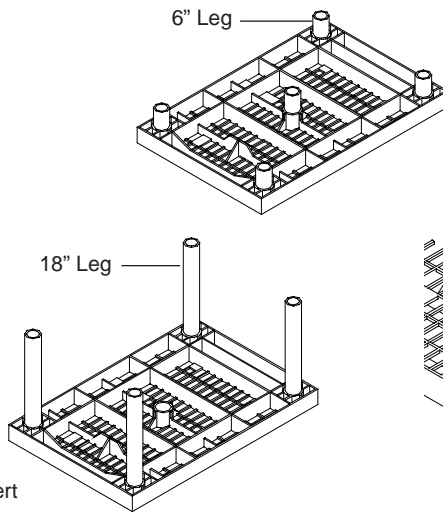
All sockets must be oiled before assembly



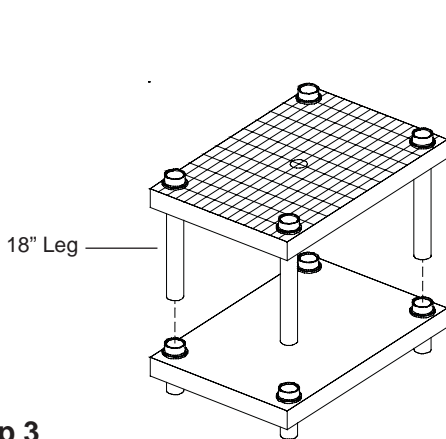
**Check All Components**



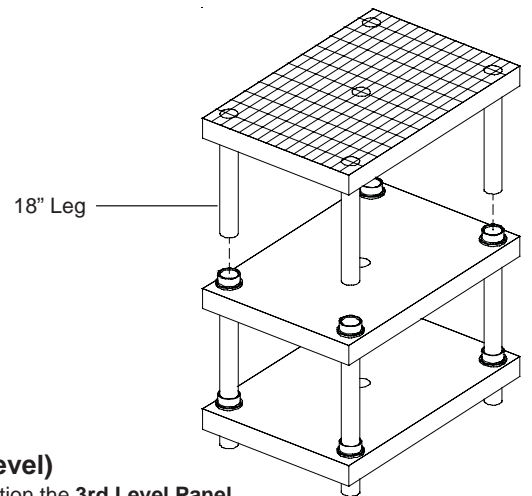
**Step 1**  
**(1st, 2nd and 3rd Levels)**  
 Invert (2) 2'x3' Panels and insert (4) 18" Legs in each as shown. Next invert 3rd panel and insert (5) 6" Legs in sockets as shown. Return all panels to upright position.



**Step 2**  
**(1st and 2nd Levels)**  
 Place (4) Collars on outside corner sockets of the 1st and 2nd Level Panels as shown.



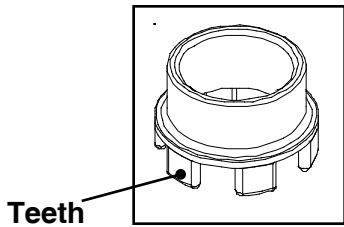
**Step 3**  
**(2nd Level)**  
 Next position the 2nd Level Panel on the 1st Level Panel by inserting 18" Legs into Collars.



**Step 4**  
**(3rd Level)**  
 Next position the 3rd Level Panel on the 2nd Level Panel by inserting 18" Legs into Collars.

# ASSEMBLY INSTRUCTIONS

## 2- Options to Secure Legs to Panels

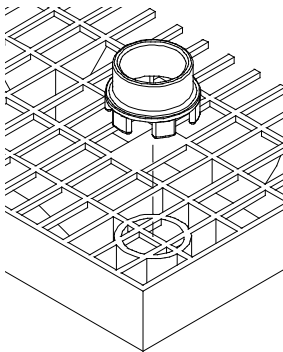


**Leg Collar**

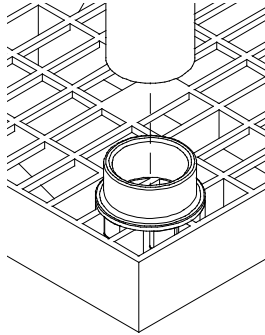
### How to use the Leg Collar

First, place the collar over socket aligning teeth of collar to fit through grids.

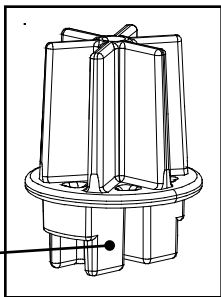
Second, Leg is inserted into the leg collar.



**Collar Placement**



**Leg Placement on  
Collar**

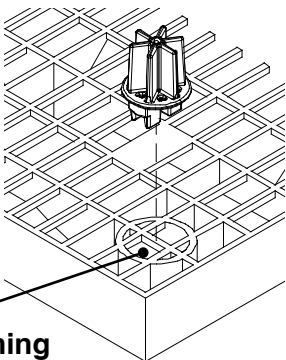


**Internal Leg  
Stacker**

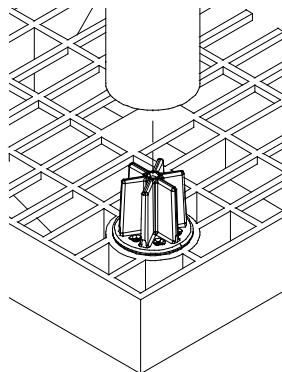
### How to use the Internal Leg Stacker

First, Place the stacker over socket aligning the prongs with the D-shaped holes, and push down.

Second, leg is inserted over the leg stacker.



**Internal Leg Stacker  
Placement**



**Leg Placement on  
Internal Leg Stacker**