

# BENCHMASTER ASSEMBLY INSTRUCTIONS

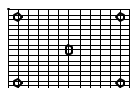
## BC36372SC

### MULTI LEVEL CART

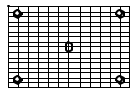
Oil all sockets before assembly

#### COMPONENTS:

##### Grid Panels



(1) 2'x3' Top Panel  
(closed sockets)



(1) 2'x3' Bottom Panel  
(open sockets)

**Legs:** (4) 30"

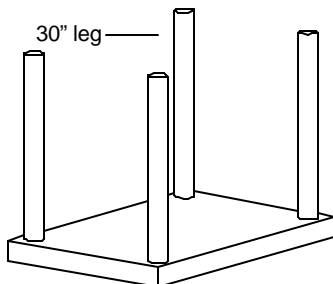
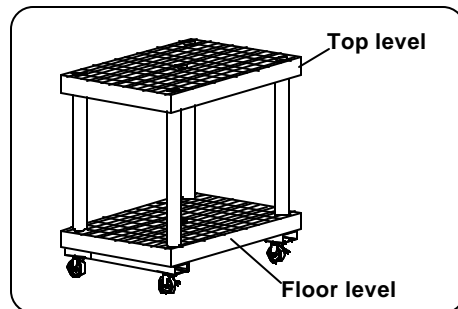
**Caster Bars:** (2)

(1) Left  
(1) Right

**1" Square Tubing:** (2)

**Stem Extensions:** (4)

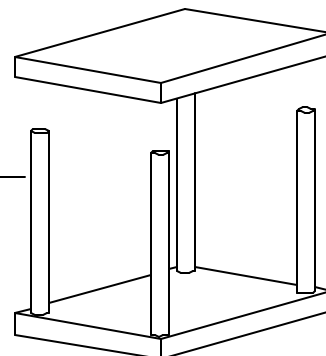
#### Fully Assembled



#### Step 1

##### Floor Level

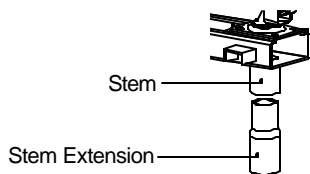
Place (1) 2'x3' **grid panel** (open hole sockets) on the floor and place (4) 30" **legs** into the outside sockets as shown. Push legs all the way down to the floor.



#### Step 2

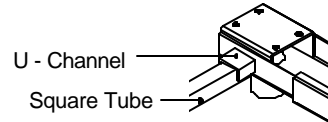
##### Top Level

Place (1) 2'x3' **grid panel** (closed hole sockets) above the 30" legs and push panel all the way down as shown.



Stem Extension

Stem



U - Channel

Square Tube

#### Step 3

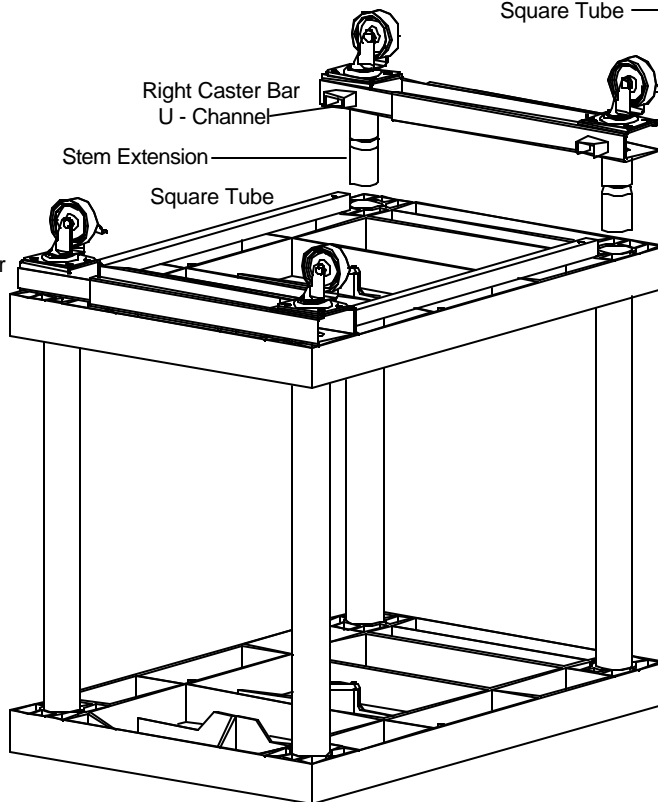
##### Caster Bar

A. Next, invert the fixture. Place (2) 1" **square tubes** on the panel.

B. Add (2) **Extensions** to the stems of each caster bar. Insert the smaller diameter end of the extension into the stem as shown.

C. Insert the extensions/stems of each **Caster Bar** (one facing to the left and the other facing to the right) into the 30" **legs**. Push caster bars all the way down as shown. (Make sure the square tubes are seated inside the U-Channels).

Left Caster Bar



Right Caster Bar

U - Channel

Stem Extension

Square Tube