

QUALITY FILTERS, INC.

THINKSIMPLE. THINKSMART. THINKQUALITY.

23351 Grissom Drive
 Robertsdale, AL 36567
 www.QualityFilters.com

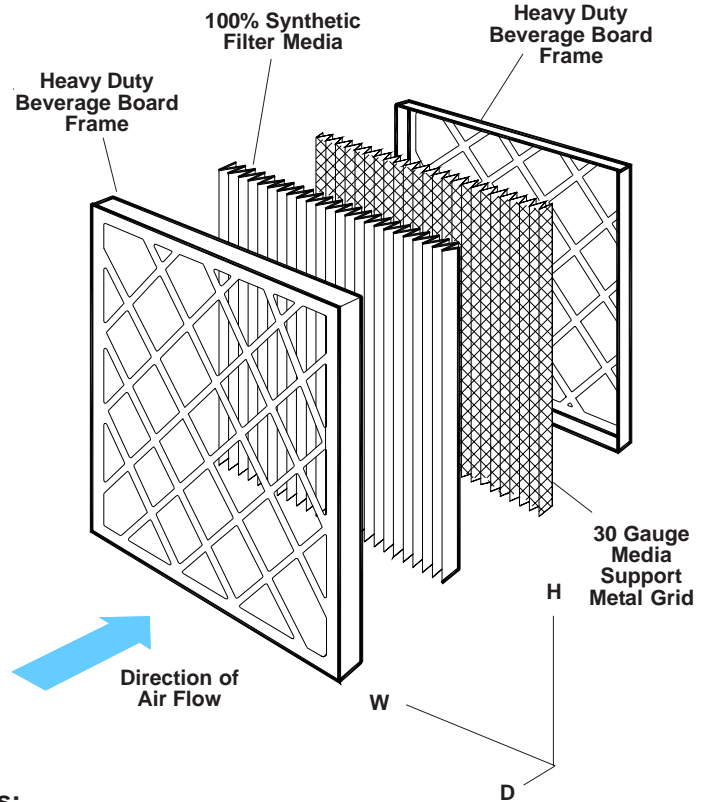
Phone: (251) 947-2400
 Order Fax: (251) 947-2499
 Sales Fax: (251) 947-7948

Quality EQP40 Pleated Filters		
Date 22 Dec 11	Dwg No. Q-110011	Rev F
Date 22 Dec 11		

Part Number Guide

Product Code	Nominal Size w x h x d	Actual Size w x h x d	Flow Rate cfm	Media Sq. Feet
EQP4010101	10x10x1	9.5x9.5x.75	205	1.3
EQP4010161	10x16x1	9.5x15.5x.75	328	2.1
EQP4010201	10x20x1	9.5x19.5x.75	410	2.5
EQP4010241	10x24x1	9.5x23.5x.75	492	3.2
EQP4010251	10x25x1	9.5x24.5x.75	512	3.3
EQP4010301	10x30x1	9.5x29.5x.75	615	4
EQP4012121	12x12x1	11.5x11.5x.75	295	1.8
EQP4012151	12x15x1	11.5x14.5x.75	369	2.4
EQP4012161	12x16x1	11.5x15.5x.75	393	2.6
EQP4012181	12x18x1	11.5x17.5x.75	443	2.9
EQP4012201	12x20x1	11.8125x19.8125x.75	492	3.1
EQP4012221	12x22x1	11.5x21.5x.75	541	3.5
EQP4012241	12x24x1	11.8125x23.8125x.75	590	3.7
EQP4012251	12x25x1	11.5x24.5x.75	615	4
EQP4012301	12x30x1	11.5x29.5x.75	738	4.8
EQP4012361	12x36x1	11.875x35.875x.75	885	5.8
EQP4014141	14x14x1	13.5x13.5x.75	402	2.6
EQP4014181	14x18x1	13.5x17.5x.75	516	3.4
EQP4014201	14x20x1	13.5625x19.5625x.75	575	3.6
EQP4014241	14x24x1	13.5625x23.5x.75	688	4.4
EQP4014251	14x25x1	13.5625x24.5625x.75	718	4.5
EQP4014301	14x30x1	13.5x29.5x.75	860	5.6
EQP4015201	15x20x1	14.5625x19.5625x.75	615	3.9
EQP4015251	15x25x1	14.5x24.5x.75	768	5
EQP4015301	15x30x1	14.5x29.5x.75	922	6
EQP4016161	16x16x1	15.5x15.5x.75	524	3.4
EQP4016181	16x18x1	15.5x17.5x.75	590	3.9
EQP4016201	16x20x1	15.5625x19.5625x.75	654	4.1
EQP4016241	16x24x1	15.5x23.5x.75	787	5.1
EQP4016251	16x25x1	15.5625x24.5625x.75	836	5.2
EQP4016301	16x30x1	15.5x29.5x.75	983	6.4
EQP4016321	16x32x1	15.8125x31.8125x.75	1048	6.8
EQP4018181	18x18x1	17.5x17.5x.75	664	4.3
EQP4018201	18x20x1	17.5x19.5x.75	738	4.8
EQP4018221	18x22x1	17.5x21.5x.75	811	5.3
EQP4018241	18x24x1	17.5x23.5x.75	885	5.6
EQP4018251	18x25x1	17.5x24.5x.75	934	5.8
EQP4018301	18x30x1	17.5x29.5x.75	1106	7.2
EQP4020201	20x20x1	19.5625x19.5625x.75	836	5.2
EQP4020221	20x22x1	19.5625x21.5x.75	901	5.9
EQP4020241	20x24x1	19.375x23.375x.75	983	6.2
EQP4020251	20x25x1	19.5625x24.5625x.75	1032	6.5
EQP4020301	20x30x1	19.625x29.625x.75	1229	7.9
EQP4022221	22x22x1	21.9375x21.9375x.75	992	6.5
EQP4024241	24x24x1	23.8125x23.8125x.75	1180	7.5
EQP4024301	24x30x1	23.5x29.5x.75	1475	9.6
EQP4025251	25x25x1	24.5x24.5x.75	1278	8.1
EQP4010202	10x20x2	9.5x19.5x1.75	688	4
EQP4012122	12x12x2	11.875x11.875x1.75	492	3
EQP4012202	12x20x2	11.5x19.5x1.75	836	5
EQP4012242	12x24x2	11.375x23.375x1.75	983	6
EQP4012252	12x25x2	11.5x24.5x1.75	1032	6.3
EQP4014202	14x20x2	13.5625x19.5625x1.75	959	6
EQP4014252	14x25x2	13.5625x24.5625x1.75	1195	7.5
EQP4015202	15x20x2	14.5625x19.5625x1.75	1023	6.5
EQP4016162	16x16x2	15.5x15.5x1.75	875	5.4
EQP4016202	16x20x2	15.625x19.625x1.75	1082	6.5
EQP4016242	16x24x2	15.5x23.5x1.75	1311	8.6
EQP4016252	16x25x2	15.625x24.625x1.75	1377	8.1
EQP4018182	18x18x2	17.5x17.5x1.75	1106	7.3
EQP4018202	18x20x2	17.5x19.5x1.75	1229	7.6
EQP4018242	18x24x2	17.5x23.5x1.75	1475	9
EQP4018252	18x25x2	17.5x24.5x1.75	1524	9.4
EQP4020202	20x20x2	19.625x19.625x1.75	1377	8.5
EQP4020242	20x24x2	19.375x23.375x1.75	1637	10.2
EQP4020252	20x25x2	19.625x24.625x1.75	1721	10.6
EQP4020302	20x30x2	19.5x29.5x1.75	2048	13.5
EQP4022222	22x22x2	21.9375x21.9375x1.75	1654	10.2
EQP4024242	24x24x2	23.375x23.375x1.75	1967	12
EQP4024302	24x30x2	23.5x29.5x1.75	2458	14.5
EQP4025252	25x25x2	24.5x24.5x1.75	2124	13.1
EQP4025282	25x28x2	24.5x27.5x1.75	2360	14.4
EQP4012244	12x24x4	11.4375x23.4375x3.5	983	9.5
EQP4016204	16x20x4	15.625x19.625x3.5	1082	10.5
EQP4016254	16x25x4	15.625x24.625x3.5	1377	13.6
EQP4018244	18x24x4	17.625x23.625x3.5	1475	14.2
EQP4020204	20x20x4	19.625x19.625x3.5	1377	12.8
EQP4020244	20x24x4	19.4375x23.4375x3.5	1622	15.4
EQP4020254	20x25x4	19.625x24.625x3.5	1721	16
EQP4024244	24x24x4	23.375x23.375x3.5	1967	18.9
EQP4025294	25x29x4	24.625x28.625x3.5	2458	24.3

Pleats per linear foot 1" depth = 14, 2" depth = 10, 4" depth = 8.



Notes:

EQP40 Pleated Filters are available in 1", 2" and 4" depth. The 100% synthetic graduated density media is continuously bonded to a 30 gauge galvanized, corrosion resistant, expanded metal support grid with an effective open area of 96%. The media is resistant to a wide range of chemicals, does not absorb moisture and will not support microbial growth.

The controlled pleat spacing maximizes surface area and dust holding capacity and is bonded to the enclosure frame to prevent dust bypass.

The enclosure frame is constructed of high wet strength moisture resistant beverage board. The diagonal support members of the frame are bonded to the entering and exiting apices of each pleat to prevent pleat collapse and filter bowing.

Performance Data

Product Code	Initial Resistance " w.g. @ Rated Flow See Chart	Final Resistance " w.g.	ASHRAE 52.2 - 1999			
			MERV Value	E1 %	E2 %	E3 %
EQP40 - 1"	0.172	-	8*			
EQP40 - 2"	-	0.272	8	17.1	47	70.3
EQP40 - 4"	-	0.231	8*			

* Minimum performance expectation - Test data pending

Characteristics EQP40 Pleated Filters

Filter Media	100% synthetic gradient media
Filter Support Grid	30 gauge galvanized expanded metal grid
Frame	Moisture resistant double wall beverage board
Assembly Technique	Media pack totally bonded to frame
Max. Temperature	180°F (82°C) continuous service, Peaks 225°F (107°C)
Max. Humidity	Resistant to 100% R.H.
Flammability	U.L. 900, Class 2