

# QUALITY FILTERS, INC.

THINKSIMPLE. THINKSMART. THINKQUALITY.

23351 Grissom Drive  
 Robertsdale, AL 36567  
 www.QualityFilters.com

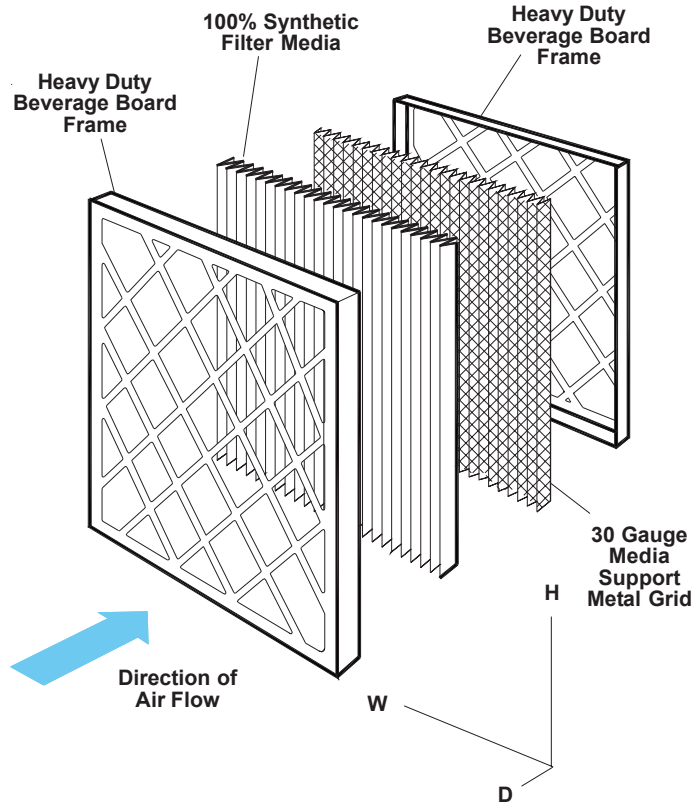
Phone: (251) 947-2400  
 Order Fax: (251) 947-2499  
 Sales Fax: (251) 947-7948

<b>Quality MQP Pleated Filters</b>		
Date 28 Jan 11	Dwg No. <b>Q-110012</b>	Rev <b>F</b>
Date 28 Jan 11		

## Part Number Guide

Product Code	Nominal Size w x h x d	Actual Size w x h x d	Flow Rate cfm	Media Sq. Feet
MQP10101	10x10x1	9.5x9.5x.75	205	1.7
MQP10161	10x16x1	9.5x15.5x.75	328	2.8
MQP10201	10x20x1	9.5x19.5x.75	410	3.4
MQP10241	10x24x1	9.5x23.5x.75	492	4.1
MQP10251	10x25x1	9.5x24.5x.75	512	4.3
MQP10301	10x30x1	9.5x29.5x.75	615	5.2
MQP12121	12x12x1	11.5x11.5x.75	295	2.5
MQP12151	12x15x1	11.5x14.5x.75	369	3.1
MQP12161	12x16x1	11.5x15.5x.75	393	3.3
MQP12181	12x18x1	11.5x17.5x.75	443	3.7
MQP12201	12x20x1	11.8125x19.8125x.75	492	4.1
MQP12221	12x22x1	11.5x21.5x.75	541	4.5
MQP12241	12x24x1	11.8125x23.8125x.75	590	4.8
MQP12251	12x25x1	11.5x24.5x.75	615	5.1
MQP12301	12x30x1	11.5x29.5x.75	738	6.2
MQP14141	14x14x1	13.5x13.5x.75	402	3.4
MQP14181	14x18x1	13.5x17.5x.75	516	4.2
MQP14201	14x20x1	13.5625x19.5625x.75	575	4.6
MQP14241	14x24x1	13.5625x23.5x.75	688	5.8
MQP14251	14x25x1	13.5625x24.5625x.75	718	5.9
MQP14301	14x30x1	13.5x29.5x.75	860	7.2
MQP15201	15x20x1	14.5625x19.5625x.75	615	5
MQP15251	15x25x1	14.5x24.5x.75	768	6.4
MQP15301	15x30x1	14.5x29.5x.75	922	7.7
MQP16161	16x16x1	15.5x15.5x.75	524	4.4
MQP16181	16x18x1	15.5x17.5x.75	590	5
MQP16201	16x20x1	15.5625x19.5625x.75	654	5.3
MQP16241	16x24x1	15.5x23.5x.75	787	6.5
MQP16251	16x25x1	15.5625x24.5625x.75	836	6.6
MQP16301	16x30x1	15.5x29.5x.75	983	8.3
MQP16321	16x32x1	15.8125x31.8125x.75	1048	8.8
MQP18181	18x18x1	17.5x17.5x.75	664	5.6
MQP18201	18x20x1	17.5x19.5x.75	738	6.2
MQP18221	18x22x1	17.5x21.5x.75	811	6.8
MQP18241	18x24x1	17.5x23.5x.75	885	7.2
MQP18251	18x25x1	17.5x24.5x.75	934	7.5
MQP18301	18x30x1	17.5x29.5x.75	1106	9.3
MQP20201	20x20x1	19.5625x19.5625x.75	836	6.6
MQP20221	20x22x1	19.5x21.5x.75	901	7.6
MQP20241	20x24x1	19.375x23.375x.75	983	8
MQP20251	20x25x1	19.5625x24.5625x.75	1032	8.3
MQP20301	20x30x1	19.625x29.625x.75	1229	10.1
MQP24241	24x24x1	23.8125x23.8125x.75	1180	9.6
MQP24301	24x30x1	23.5x29.5x.75	1475	9.9
MQP25251	25x25x1	24.5x24.5x.75	1278	10.4
MQP10202	10x20x2	9.5x19.5x1.75	688	5.9
MQP12122	12x12x2	11.5x11.5x1.75	492	4.6
MQP12202	12x20x2	11.5x19.5x1.75	836	7.4
MQP12242	12x24x2	11.375x23.375x1.75	983	8.9
MQP12252	12x25x2	11.5x24.5x1.75	1032	9.3
MQP14202	14x20x2	13.5625x19.5625x1.75	959	8.9
MQP14252	14x25x2	13.5625x24.5625x1.75	1195	11.1
MQP15202	15x20x2	14.5625x19.5625x1.75	1023	9.6
MQP16162	16x16x2	15.5x15.5x1.75	875	8.1
MQP16202	16x20x2	15.625x19.625x1.75	1082	9.7
MQP16242	16x24x2	15.5x23.5x1.75	1311	12.7
MQP16252	16x25x2	15.625x24.625x1.75	1377	12
MQP18182	18x18x2	17.5x17.5x1.75	1106	10.6
MQP18202	18x20x2	17.5x19.5x1.75	1229	11.4
MQP18242	18x24x2	17.5x23.5x1.75	1475	13.7
MQP18252	18x25x2	17.5x24.5x1.75	1524	13.9
MQP20202	20x20x2	19.625x19.625x1.75	1377	12.6
MQP20242	20x24x2	19.375x23.375x1.75	1637	15.1
MQP20252	20x25x2	19.625x24.625x1.75	1721	15.7
MQP20302	20x30x2	19.5x29.5x1.75	2048	20
MQP24242	24x24x2	23.375x23.375x1.75	1967	17.8
MQP24302	24x30x2	23.5x29.5x1.75	2458	21.6
MQP25252	25x25x2	24.5x24.5x1.75	2124	19.4
MQP25282	25x28x2	24.5x27.5x1.75	2360	21
MQP12244	12x24x4	11.4375x23.4375x3.5	983	14.2
MQP16204	16x20x4	15.625x19.625x3.5	1082	15.7
MQP16254	16x25x4	15.625x24.625x3.5	1377	19.7
MQP18244	18x24x4	17.625x23.625x3.5	1475	21.3
MQP20204	20x20x4	19.625x19.625x3.5	1377	19.7
MQP20244	20x24x4	19.4375x23.4375x3.5	1622	23.7
MQP20254	20x25x4	19.625x24.625x3.5	1721	24.7
MQP24244	24x24x4	23.375x23.375x3.5	1967	28.4
MQP25294	25x29x4	24.625x28.625x3.5	2458	35.7

Pleats per linear foot 1" depth = 18, 2" depth = 15, 4" depth = 11.



### Notes:

MQP Pleated Filters are available in 1", 2" and 4" depth. The 100% synthetic graduated density media is continuously bonded to a 30 gauge galvanized, corrosion resistant, expanded metal support grid with an effective open area of 96%. The media is resistant to a wide range of chemicals, does not absorb moisture and will not support microbial growth.

The controlled pleat spacing maximizes surface area and dust holding capacity and is bonded to the enclosure frame to prevent dust bypass.

The enclosure frame is constructed of high wet strength moisture resistant beverage board. The diagonal support members of the frame are bonded to the entering and exiting apices of each pleat to prevent pleat collapse and filter bowing.

### Performance Data

Product Code	Initial Resistance " w.g. @ Rated Flow See Chart	Final Resistance " w.g.	ASHRAE 52.2 - 1999			
			MERV Value	E1 %	E2 %	E3 %
MQP - 1"	0.232	-	11	22.8	65.2	86.1
MQP - 2"	-	0.35	11	26.5	65.2	86.5
MQP - 4"	-	0.263	11	29.1	65.7	86.2

\* Minimum performance expectation - Test data pending

### Characteristics

### MQP Pleated Filters

<b>Filter Media</b>	100% synthetic gradient media
<b>Filter Support Grid</b>	30 gauge galvanized expanded metal grid
<b>Frame</b>	Moisture resistant double wall beverage board
<b>Assembly Technique</b>	Media pack totally bonded to frame
<b>Max. Temperature</b>	180°F (82°C) continuous service, Peaks 225°F (107°C)
<b>Max. Humidity</b>	Resistant to 100% R.H.
<b>Flammability</b>	U.L. 900, Class 2