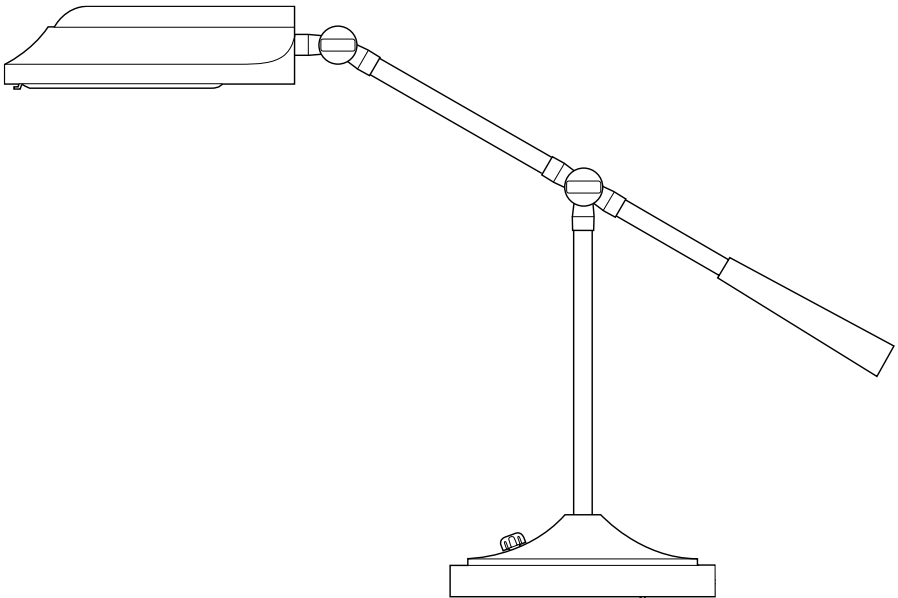


**verilux**<sup>®</sup>  
The Healthy Lighting Company<sup>®</sup> Est. 1956



# Heritage<sup>™</sup> | Deluxe

Natural Spectrum<sup>®</sup> Desk Lamp

**VD03**



Dear Customer,

Thank you for purchasing the Verilux Heritage™ Deluxe Natural Spectrum® Desk Lamp. You have received a quality product, backed by a one-year limited warranty. As a Verilux customer, your satisfaction means everything to us. We look forward to serving you now and in the future.

Many other healthy lighting products are available through our catalog and online. Visit us on the web at [www.verilux.com](http://www.verilux.com) to request a free catalog and learn more about all our quality Verilux products, or call our toll-free number 1-800-454-4408.

Have a Bright Day!

A handwritten signature in black ink that reads "Nicholas Harmon". The signature is written in a cursive, flowing style.

Nicholas Harmon  
President, Verilux, Inc.

## Important Safety Instructions

### SAVE THESE INSTRUCTIONS

Thank you for purchasing the Heritage™ Deluxe Natural Spectrum® Desk Lamp. Please read the following safety information before using. To reduce the risk of fire, electrical shock or injury to persons:

- Do NOT dismantle.
- Do NOT alter power cord.
- Turn off/unplug and allow to cool before replacing bulb or cleaning.
- For indoor use only.

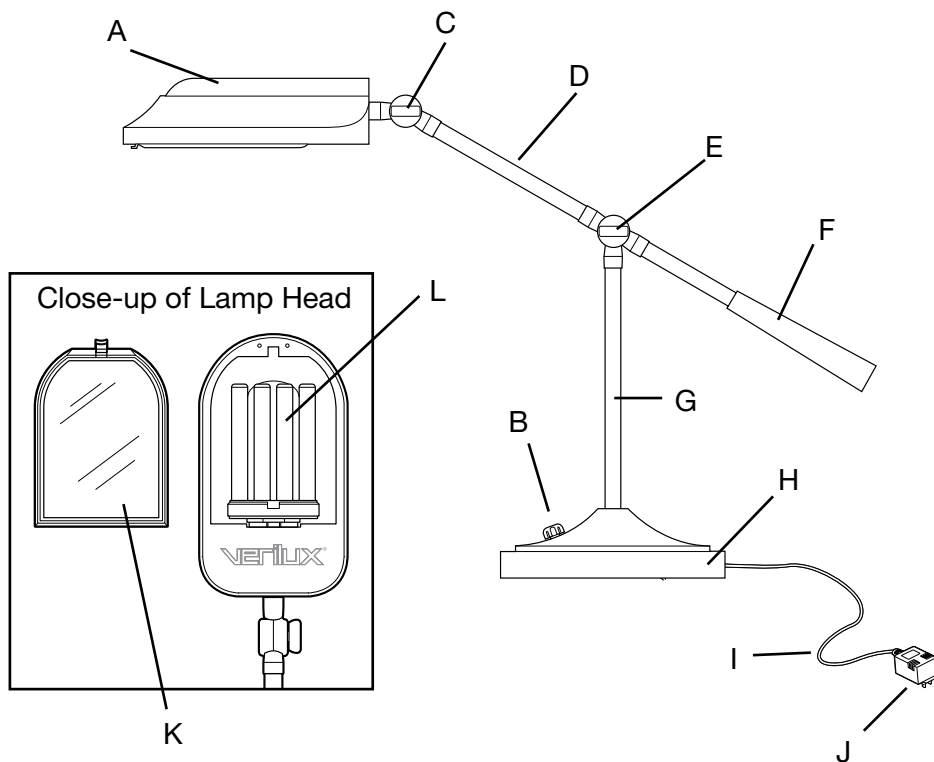
### General Precautions

- The lamp is an electrical device. DO NOT USE NEAR WATER.
- Before plugging in the lamp, check to make sure the voltage of the wall socket does not exceed 120 volts.
- Not for use with light dimmers, timers, motion detectors or extension cords.
- This product may cause interference with radios, cordless telephones or devices that use a wireless remote control such as televisions. If interference occurs, move the product away from the device, plug the product or device into a different outlet or move the lamp out of the line of sight of the remote control receiver.
- Unplug from electrical outlet for extended periods of non-use or during lightning storms to ensure protection of the electronics.
- **WARNING:** Do NOT use lubricating agent in assembly; please see troubleshooting section if you are having difficulty assembling your lamp.
- **WARNING:** Do not use the lamp outside or in wet locations such as bathrooms. It is intended for indoor, dry use only.
- **WARNING:** This product contains Mercury in the bulb. Dispose of bulb per local regulations.

# Getting Started

## Main Parts & Controls

- A. Lamp Head
- B. Switch
- C. Lamp Head Swivel Knob
- D. Lamp Arm
- E. Center Swivel Knob
- F. Counter Weight Arm
- G. Vertical Shaft
- H. Lamp Base
- I. Power Cord
- J. Power Supply (Ballast)
- K. Optix® Glare Control Filter
- L. Bulb



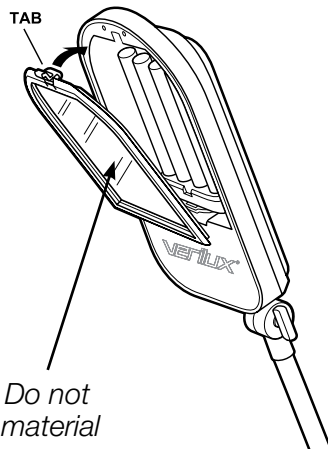
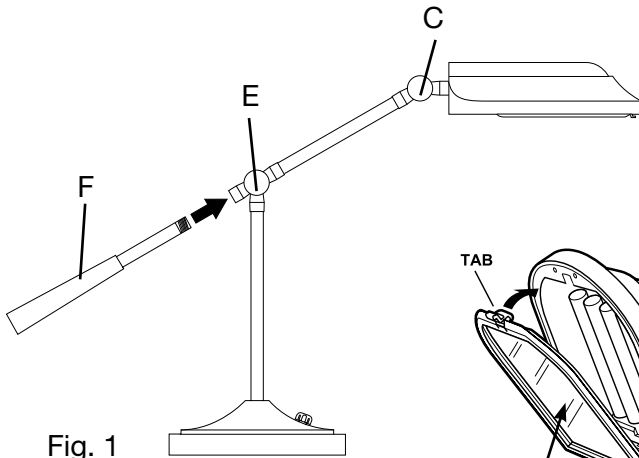
### CAUTION:

DO NOT LIFT THE LAMP BY THE LAMP ARM. THE LAMP SHOULD BE LIFTED BY THE VERTICAL SHAFT.

## Assembly Instructions

**Please Read Operating Instructions Carefully Before Using the Heritage™ Desk Lamp:**

1. Set lamp base on the desk and insert the counter weight arm (F) onto the center swivel (E) and screw clockwise to tighten. (Fig.1)
2. To lift lamp head, loosen swivel knob (C), adjust head to desired angle. Tighten swivel knob.
3. Attaching the Optix® glare control filter:
  - Remove glare control filter from protective plastic bag. Take care to hold filter by the edges only.
  - Insert tabs on bottom of filter into opening. (Fig. 2)
  - Press into place using thumb tab.  
**Do not touch or press on the filter material itself.**



**Note:** Do not touch material

## Assembly Instructions — continued

4. Attach the ballast to the power cord. Use care to align the 4-pin plug properly. **DO NOT FORCE**. The 4-pin plug was designed to fit in only one orientation (Fig. 3).

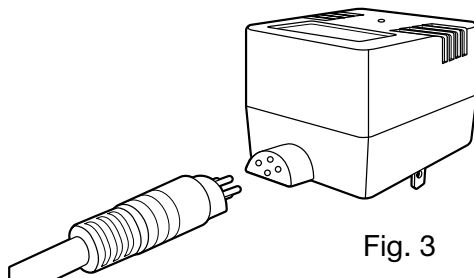


Fig. 3

5. Plug ballast into a standard 120V 50/60Hz outlet. Turn lamp on. The green LED indicator on center of the ballast should be illuminated (Fig. 4). If the LED indicator does not illuminate, please refer to the troubleshooting section of this manual (see page 9).

6. If bulb does not illuminate instantly, please refer to the troubleshooting section of this manual.

7. Adjust lamp brightness to the desired level (low-medium-high).

**WARNING:** Do not block vents on ballast. Vents are necessary for proper function of the ballast; blocking them may cause overheating of the ballast and increase risk of fire.

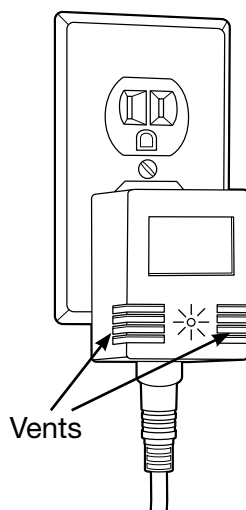
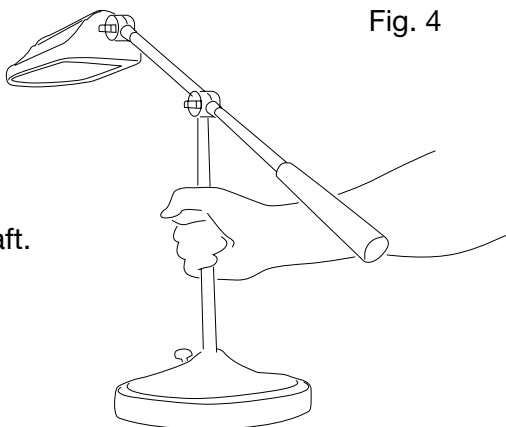


Fig. 4

### Attention!

Lift your lamp by the vertical shaft.



## Adjusting the Heritage™ Floor Lamp

### The Heritage Desk Lamp adjusts several ways:

1. To adjust lamp height, hold lamp arm with one hand and loosen center swivel knob (E). Raise or lower lamp arm (D) to desired height. Tighten knob (Fig. 5).

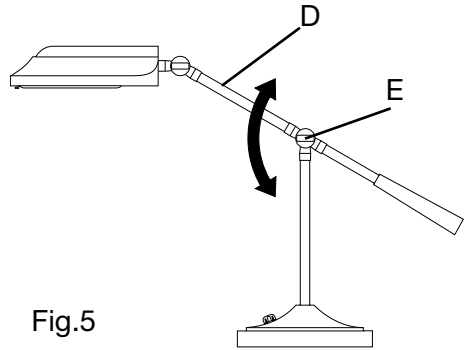


Fig.5

2. To adjust lamp head angle up or down, loosen swivel knob counterclockwise and place head at desired angle, tighten swivel knob to secure (Fig. 6).

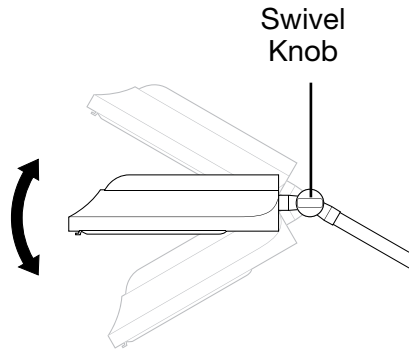


Fig. 6

3. To tilt lamp head toward you or away from you, simply move the head to desired position (Fig. 7).



Fig. 7

# Bulb Replacement Instructions

## Removal

1. Unplug lamp from power source.
2. To access the bulb, remove Optix® glare control filter by depressing the thumb tab and lifting it out.
3. Firmly hold bulb base (B) and pull bulb (C) from the socket (A) in an outward motion (Fig. 8).

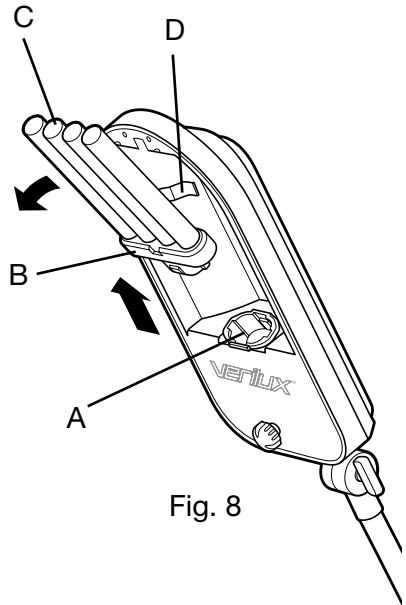
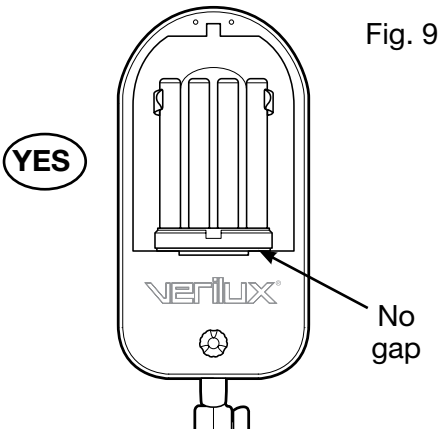


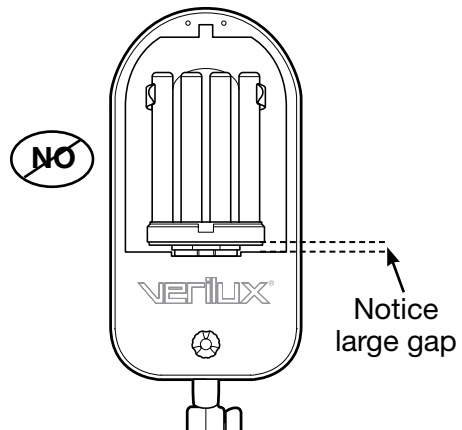
Fig. 8

## Installation

1. Unplug lamp from power source.
2. Firmly hold base (B) and push bulb (C) into the socket (A).
3. Be sure bulb is firmly seated in the socket (see below) and snapped into the metal bulb clip (D) (Fig. 9).
4. Replace Optix glare control filter.



Correctly seated bulb



Incorrectly seated bulb

**CAUTION:** ALWAYS UNPLUG LAMP BEFORE PERFORMING BULB REPLACEMENT OR INSTALLATION.



## Troubleshooting

**Before requesting service on your Verilux® lamp, please read the following:**

- Make sure all power connectors, cords and plugs are inserted fully and securely.
- Be sure the bulb is securely seated into the socket (see page 8).
- Make sure there is power to the wall outlet or try another outlet.

PROBLEM	CHECK	SOLUTION
Light Won't Come On	Has the plug come loose?	Insert plug securely into wall outlet.
	Is the bulb old?	Check bulb for blackening/darkening at bottom of spiral where it joins the base (an indicator of bulb life) and replace bulb.
	Is the bulb connected securely into socket?	Be sure the bulb is securely seated into socket, repeat the bulb installation process.
Blackening/Darkening at Ends of Bulb	Is the bulb new?	Sometimes when a new bulb is turned on for the first time the tube will darken, but this will fade after a few minutes.
	Is the bulb old?	With older bulbs, darkening of the tube indicates end of bulb life (this doesn't affect operation except to reduce the amount of light available since the phosphor in that area has become inactive). Bulb replacement is recommended.
Light Flickers	Has the plug come loose?	Insert plug securely into wall outlet.
	Is the bulb connected securely to the socket?	Be sure the bulb is securely seated into the socket, repeat the bulb installation process. <b>⚠ CAUTION</b> ALWAYS UNPLUG LAMP BEFORE PERFORMING BULB REPLACEMENT OR INSTALLATION.
	Is the lamp connected to a dimmer switch?	Connect lamp plug only to wall outlet without dimmer switch.

**WARNING:** Do not block vents on ballast. Vents are necessary for proper function of the ballast; blocking them may cause overheating of the ballast and increase risk of fire.

## Care and Cleaning

Your lamp is made from high quality materials that will last for many years with minimum care. You may want to periodically clean the lamp using a mild non-abrasive cleaner and soft cloth. When cleaning, make sure you have turned off and unplugged the unit and allowed sufficient time for the unit to cool. All liquid should be properly wiped away and dried prior to restoring power.

**CAUTION:** DO NOT USE SOLVENTS OR CLEANERS CONTAINING ABRASIVES, OR AMMONIA BASED CLEANERS.

**WARNING:** All moisture should be properly wiped away and dried prior to restoring power.

**Note:** *Do not use any cleaning agents, including window cleaner, on the Optix® glare control filter. If needed, dust with a clean, dry cloth.*

## One Year Limited Warranty

**ATTENTION!** ONCE OPENED, PLEASE **DO NOT** RETURN THIS PRODUCT TO THE STORE WHERE IT WAS PURCHASED FOR REPAIR OR REPLACEMENT!

Many questions may be answered by visiting [www.verilux.com](http://www.verilux.com), or you may call our Customer Service Department at 800-786-6850 during normal business hours.

This limited warranty is provided by: Verilux, Inc., 340 Mad River Park, Waitsfield, VT 05673

Verilux warrants this product to be free from defects in material and workmanship for a period of one year from the date of the original retail purchase from Verilux or an authorized Verilux distributor. **Proof of purchase is required for all warranty claims.** During the limited warranty period, Verilux, Inc. will, at its option, repair or replace defective parts of this product, at no charge to the customer, subject to the following limitations: This limited warranty does not include any postage, freight, handling, insurance or delivery fees. This warranty does not cover damage, defect or failure caused by or resulting from accident, external destruction, alteration, modification, abuse, misuse or misapplication of this product.

This warranty does not cover damage to the product resulting from return shipping or handling. The use of shipping insurance is recommended to help protect your product.

**Return Authorization is required for all returns.** To obtain a Return Authorization, please contact the Verilux Customer Service Department at 800-786-6850.

If, during the first year of ownership, this product fails to operate properly, it should be returned as specified at [www.verilux.com/warrantyreplacement](http://www.verilux.com/warrantyreplacement) or as instructed by a Verilux customer service representative at 800-786-6850.

**Note:** *Verilux recommends using a quality surge suppressor on all electronics equipment. Voltage variations and spikes can damage electronic components in any system. A quality suppressor can eliminate the vast majority of failures attributed to surges and may be purchased at electronics stores.*

Due to ongoing improvements, actual product may have slight variations from the product described in this manual.

Please visit our website at [www.verilux.com](http://www.verilux.com) or call our Customer Service Department at

**1-800-786-6850**

Representatives are available Monday – Friday, 9am – 5pm EST

**verilux®**

340 Mad River Park, Waitsfield, VT 05673

