



A-Shape LED

8A19/END/2700 DIM 6/1

Philips A-shape Dimmable LED lamps are the smart LED alternative to standard incandescents. The unique lamp design provides omi-directional light with excellent dimming performance.

Product data

• General Characteristics

Cap-Base	E26
Bulb	A21
Rated Avg. Life (Hours)	25000 hr

• Light Technical Characteristics

Color Code	WW
Color Designation	Warm White
Beam Description	- [-]
Correlated Color Temperature	2700 K
CRI	81
Color Temp. (Kelvin)	2700 K [CCT 2700K]
Rated Luminous Flux	470 Lm

• Electrical Characteristics

Wattage	8 W
Wattage Technical	8 W
Voltage	120 V
Line Frequency	60 Hz
Power Factor	0.7 -
Lamp Current mA	85 mA

Dimmable	Yes
Wattage Equivalent	40 W

• Measuring Conditions

Switching cycle	50000x
-----------------	--------

• Product Dimensions

Overall Length C	106.8 mm
Diameter D	31.8 mm

• Product Data

Product number	423483
Full product name	8A19/END/2700 DIM 6/1
Short product name	8A19/END/2700 DIM 6/1
Pieces per Sku	1
eop_pck_cfg	6
Skus/Case	6
Bar code on pack	46677423483
Bar code on case	50046677423488
Logistics code(s)	929000226704
eop_net_weight_pp	0.134 kg

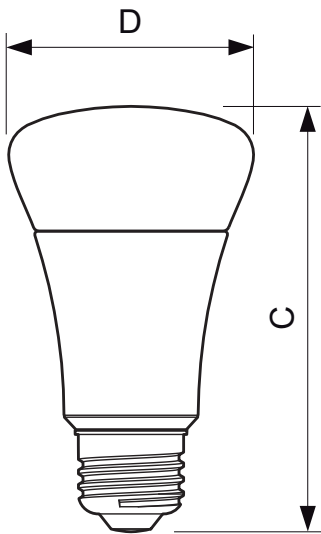
Dimensional drawing



PHILIPS

sense and simplicity

Dimensional drawing



E26

8A19/END/2700 DIM 6/1

Product	C (Norm)	C1 (Max)	D (Norm)	D1 (Norm)
LED 8W E26 2700K 120V A21	106.8	-	31.8	-



© 2013 Koninklijke Philips Electronics N.V.
All rights reserved.

Specifications are subject to change without notice. Trademarks are the property of Koninklijke Philips Electronics N.V. or their respective owners.

www.philips.com/lighting

2013, March 15
data subject to change