

UDL

LED Dock Light

Product Description

NICOR's LED dock lights are designed to bring energy efficiency to the rough environment of truck loading areas. A die-cast aluminum head and fully adjustable swing arm enable rugged and precise lighting where additional task light is needed. The UDL is an ideal choice for warehouse docks or other harsh manufacturing locations.

Construction

- Die cast aluminum light engine
- Steel hinged two part arm

Optical System

- Beam angle of 15°

Electrical

- Utilizes high performing LED's with ≥ 80 CRI
- Operating temperature rating of -13°F to 140°F (-25°C to 60°C)
- 120VAC Input voltage
- LM-80 testing performed in accordance to IESNA standards

Finish

- Yellow powder coat

Installation

- Wall mount with included mounting plate

Warranty

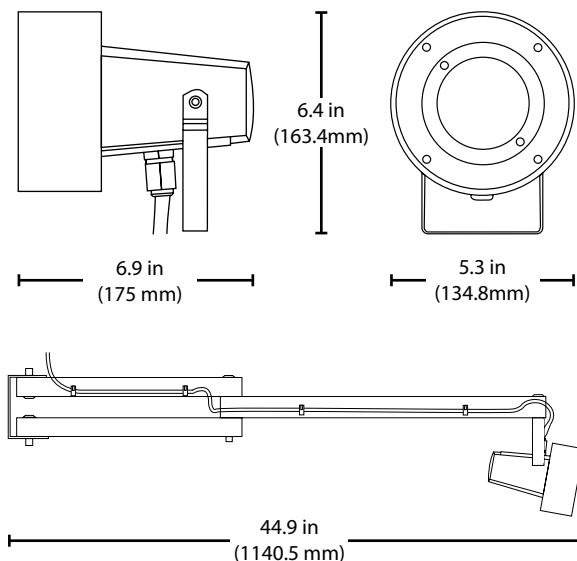
- 5-year limited system warranty standard
- Warranty does not cover product failure due to an overvoltage event (power surge.)
For installations where power surge may be possible, NICOR recommends installing additional surge protection at the fixture or electrical distribution panel

Project

Catalog

Type

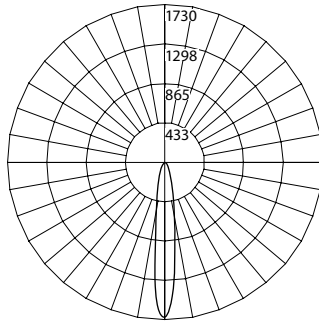
Date



Photometric Data

UDL 5000K 20W

| | |
|-----------------------------|--------|
| Input Voltage (VAC) | 120V |
| System Level Power (W) | 20 |
| Delivered Lumens (Lm) | 1729.5 |
| System Efficacy (Lm/W) | 91 |
| Correlated Color Temp (K) | 5000 |
| Color Rendering Index (CRI) | ≥ 80 |
| Beam Angle | 15° |



Ordering Information

Example: UDL102012050YL

| Series | Version | Watts | Voltage | CCT's | Finish |
|--------|---------------|----------------|-------------|-------------|-------------|
| UDL | 1 (Version 1) | 020 (20 Watts) | 120 (120 V) | 50 (5000 K) | YL (Yellow) |

Specifications and dimensions subject to change without notice.

This device complies with part 15 of the FCC Rules. Operation is subject to the following two conditions: (1) This device may not cause harmful interference, and (2) this device must accept any interference received, including interference that may cause undesired operation.

NOTE: This equipment has been tested and found to comply with the limits for a Class A digital device, pursuant to part 15 of the FCC Rules. These limits are designed to provide reasonable protection against harmful interference when the equipment is operated in a commercial environment. This equipment generates, uses, and can radiate radio frequency energy and, if not installed and used in accordance with the instruction manual, may cause harmful interference to radio communications. Operation of this equipment in a residential area is likely to cause harmful interference in which case the user will be required to correct the interference at his own expense.