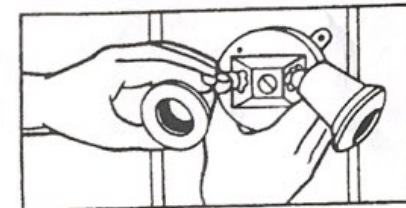
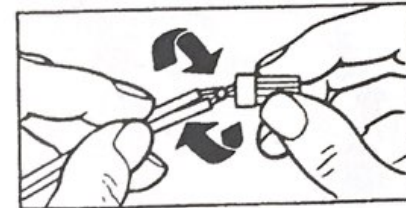
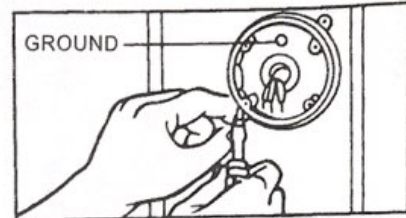
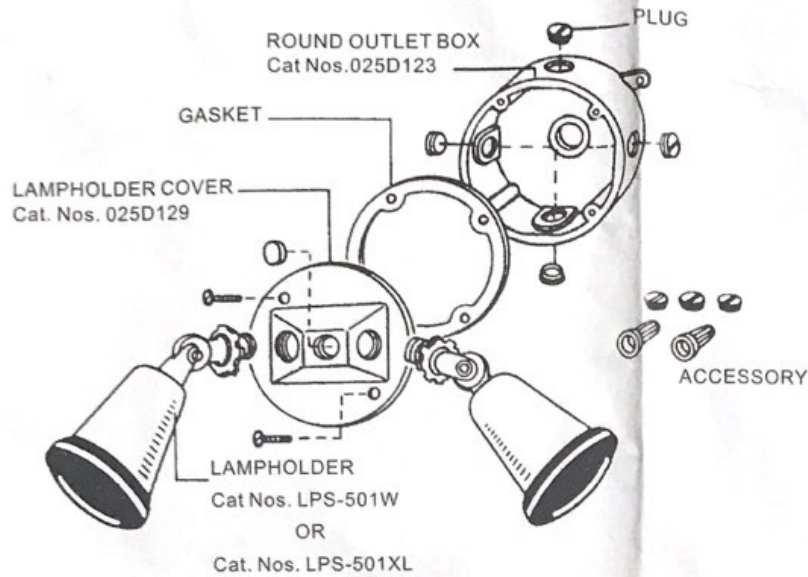


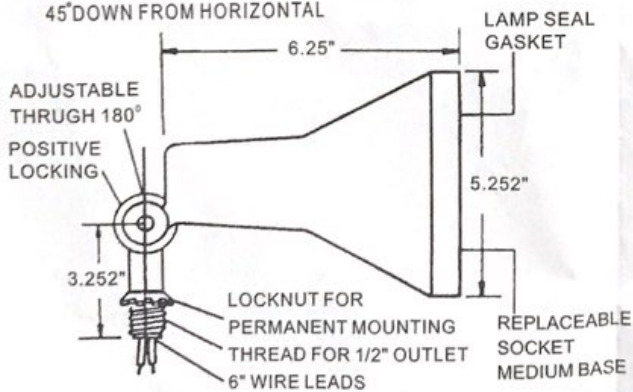
INSTALLATION INSTRUCTIONS

 Us Listed
 For wet
 Locations

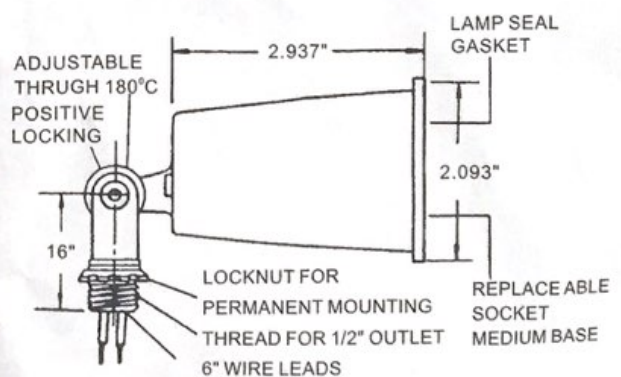


STEP-BY-STEP PROCEDURES TO INSTALL YOUR OWN LIGHTING

- * Turn off the power.
- * Install round or rectangular outlet box.
- * Assemble lampholder to cover.
- * Position gasket between cover and box.
- * Connect wires using wire nuts, each supply wire to corresponding lampholder wire.
- * Attach cover to box.
- * Turn on the power.
- * LIMIT RANGE OF ADJUSTMENT TO AIMED
 45° DOWN FROM HORIZONTAL



**Cat. Nos.
 LPS-501XL**



**Cat. Nos.
 LPS-501W**