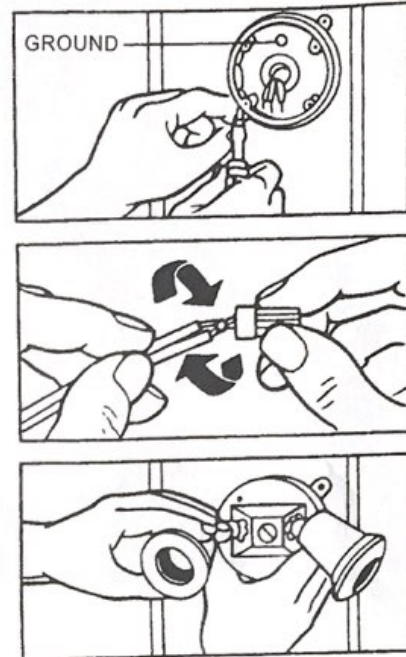
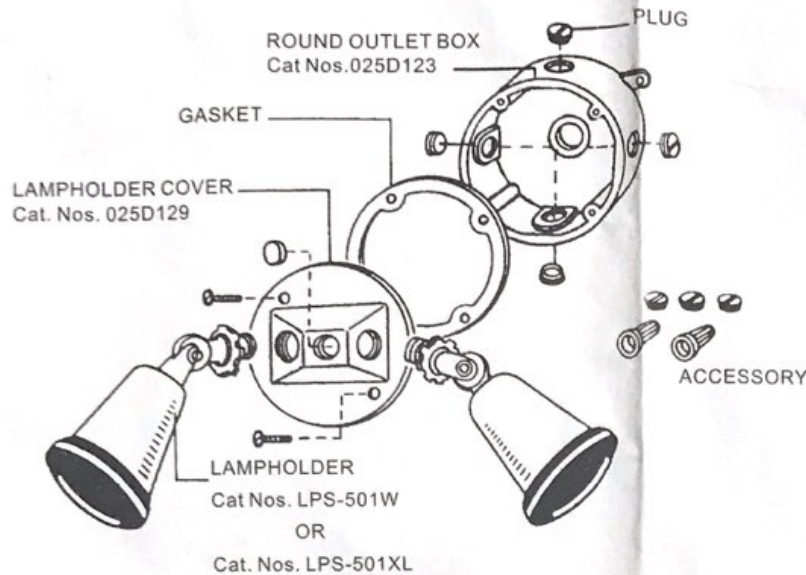


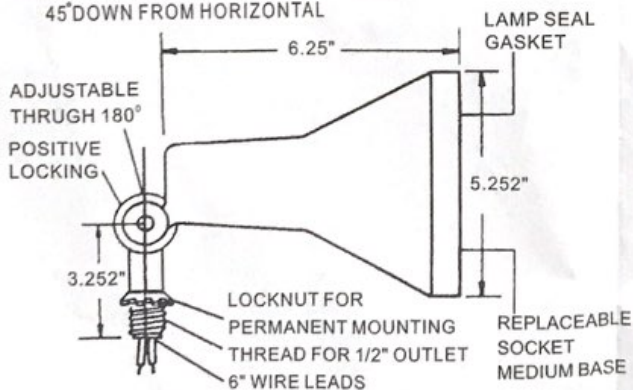
# INSTALLATION INSTRUCTIONS

 Us Listed  
 For wet  
 Locations

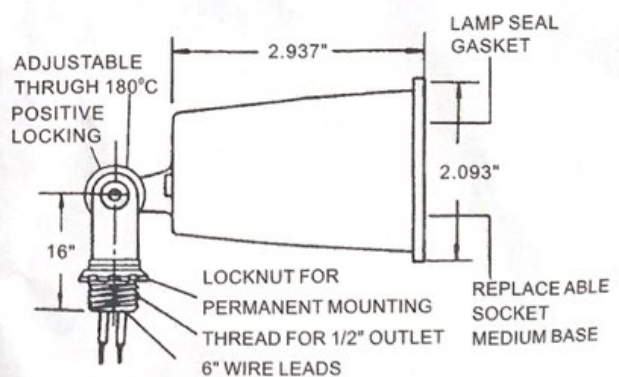


## STEP-BY-STEP PROCEDURES TO INSTALL YOUR OWN LIGHTING

- \* Turn off the power.
- \* Install round or rectangular outlet box.
- \* Assemble lampholder to cover.
- \* Position gasket between cover and box.
- \* Connect wires using wire nuts, each supply wire to corresponding lampholder wire.
- \* Attach cover to box.
- \* Turn on the power.
- \* LIMIT RANGE OF ADJUSTMENT TO AIMED  
 45° DOWN FROM HORIZONTAL



**Cat. Nos.  
 LPS-501XL**



**Cat. Nos.  
 LPS-501W**