

INSTALLATION AND SAFETY INSTRUCTIONS

FOR YOUR SAFETY

WARNING: BE SURE THE ELECTRICITY TO THE WIRES YOU ARE WORKING ON IS SHUT OFF; EITHER THE FUSE IS REMOVED OR THE CIRCUIT BREAKER IS SHUT OFF.

GENERAL

You don't need special tools to install this fixture. Be sure to follow the steps in the order given. Under no circumstances should a fixture be hung on house electrical wires, nor should a swag type fixture be installed on a ceiling which contains a radiant type heating system. Read instructions carefully. If you are unclear as to how to proceed, consult a qualified electrician.

NOTE: Proper wiring is essential for the safe operation of this fixture.

FIXTURE ASSEMBLY

Carefully removed the fixture from the carton and check that all parts are included as shown in figure 1. Be careful not to misplace any of the screws or parts, which are needed to install this fixture.

INSTALLATION

IMPORTANT: Do not attach fixture directly to outlet box.

STEP 1: Thread mounting screws (C) into the match holes of mounting bar (A).

STEP 2: Secure mounting bar (A) to outlet box with outlet box screws (B).

GROUNDING INSTRUCTIONS

STEP 1: Insert the green grounding screw into the hole with two raised dimples on the mounting bar (A). Wrap the ground wire from the fixture (if supplied) around the green grounding screw, then connect it to ground wire from the outlet box (if not fixed on the outlet box) using a wire connector (not supplied). If ground wire from the fixture is not supplied, wrap the ground wire (if not fixed on the outlet box) from the outlet box around the green grounding screw and tighten it.

NEVER CONNECT GROUND WIRE TO BLACK OR WHITE POWER SUPPLY WIRES.

STEP 2: Take note of the color of the wire(s) on your fixture. Identify which group your fixture wire(s) falls into and connect the wires according to the directions below:

GROUP A: Connect to Black House Wire	GROUP B: Connect to White House Wire
BLACK	WHITE
*PARALLEL WIRE (round & smooth)	*PARALLEL WIRE (square & ridged)
WHITE OR GREY WITH TRACER	WHITE OR GREY WITHOUT TRACER
BROWN GOLD OR BLACK WITHOUT TRACER	BROWN, GOLD OR BLACK WITH TRACER

*NOTE: When parallel wire (SPT-1 & SPT-2) is used, the tracer wire is square shaped or ridged and the less tracer wire is round in shape or smooth (seen best when viewed from wire end.)

STEP 3: Take your fixture wire(s) from group A and place evenly against the black wire from the outlet box. Do NOT twist wires together before using wire connectors.

STEP 4: Fit a wire connector over the wires and screw the connector clockwise until you feel a firmness.

STEP 5: Try gently to pull the connector off the wires. If you can pull the connector off, carefully re-do steps 3 and 4, as above, and check again for a firm connection.

STEP 6: Connect the fixture wire from group B to the white wire from the outlet box in the same manner. Make sure no bare wires can be seen outside wire connectors.

FINAL ASSEMBLY

STEP 1: After wires are connected, tuck them carefully inside outlet box. Raise canopy (D) allowing for mounting screw (C) to protrude through the key slot on canopy (D), Rotate canopy (D) clockwise until mounting screws (C) are in narrow part of key slots, tighten with screwdriver.

STEP 2: Install lamps. (Please do not exceed the maximum capacity recommended on the socket.)

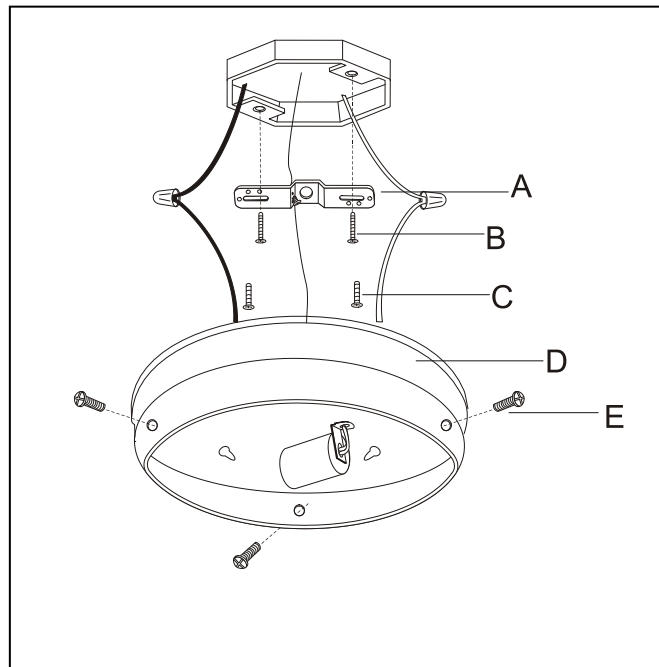
STEP 3: Raise glass (not supplied) to the canopy (D) and secure it with screws (E).

CLEANING

To clean, wipe fixture with a soft cloth. Clean glass with a mild soap. Do not use abrasive materials such as scouring pads or powders, steel wool or abrasive paper.

ORDERING PARTS

Keep this sheet for future reference, and in case you need to order replacement parts. All parts for this fixture can be ordered from place of purchase. Be sure to use exact wording from illustration when ordering parts.

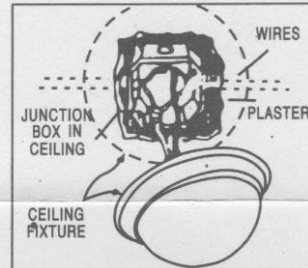


Line art shown may not exactly match the fixture enclosed. However, the installations do apply to this fixture.

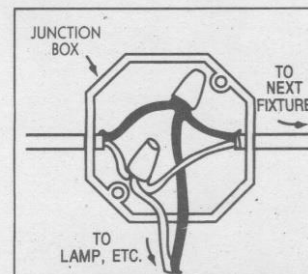
HOW TO REPLACE WALL OR CEILING FIXTURES!

Light fixtures come with their own wiring, and are connected to the wires of the circuit with a wire nut. These connections are housed within a metal junction box recessed into the wall or ceiling and hidden by an ornamental canopy plate that is part of the light fixture. Replacing a fixture principally involves nudging the old wiring connection and forming a new one just like it.

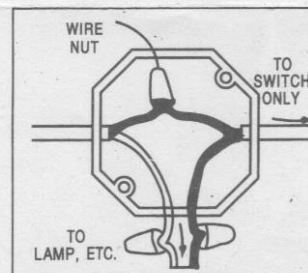
- (1) Shut off the circuit. (At the fuse box).
- (2) Unscrew the ornamental plate canopy that covers the junction box, and the fixture from the junction box if it has a second set of screws. The fixture will sag away from the junction. You may need an assistant to hold it while you proceed.
- (3) If the wires are spliced with wire nuts, unscrew them counterclockwise. If the wires are spliced with pigtails, snip them off with wire cutter pliers unless the old splice is tight against the junction. In this case unwind the electrician's tape, then untwist the wires.
- (4) If you have snipped off the old splice, strip half an inch of insulation off the circuit wires without nicking the copper.
- (5) Trim the wiring in the fixture to get rid of excess (there usually is). No splice should ever be made outside a junction, nor should the junction be full of tangled wires. A completed installation should have about as much play in the wire as the sketch shows.
- (6) Strip insulation from the ends of the fixture wires to match the circuit wires. One half inch is enough.
- (7) Form the splices (again having an assistant hold the fixture). Match the wires by color code.
- (8) Connect house ground wire to green grounding screw on crossbar.
- (9) Move the fixture into position and secure it with the reverse steps of the ones that loosened the original.



VIEW OF EXISTING LIGHT
FIXTURE.



VIEW OF WIRING TO
ADDITIONAL LIGHT FIXTURE.



VIEW OF WIRING TO SWITCH.

SATCO® | NUVO®

110 HEARTLAND BOULEVARD • BRENTWOOD, N.Y. 11717
(516) 243-2022