

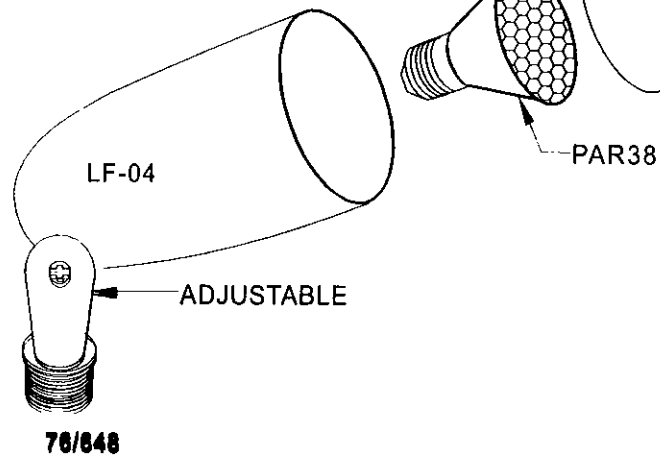
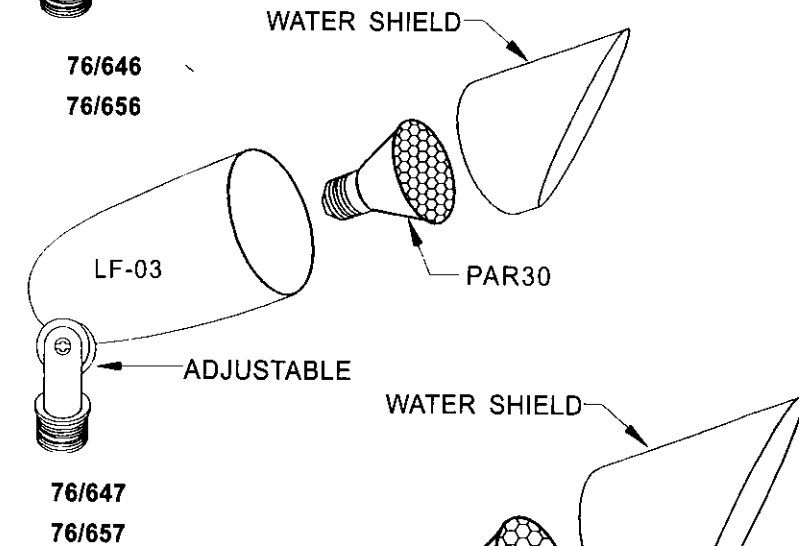
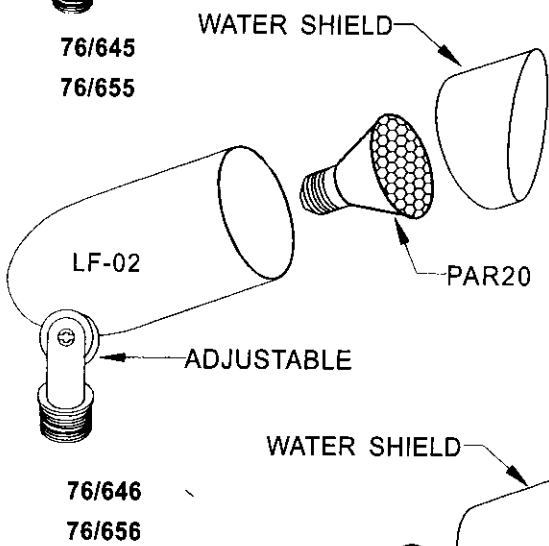
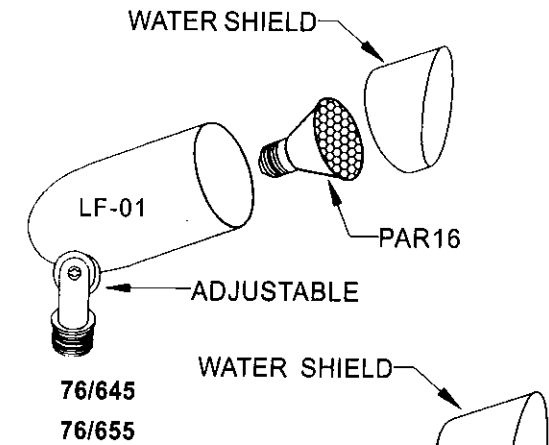
LANDSCAPE FLOODLIGHT Installation Instructions

76/645
76/655

76/646
76/656

76/647
76/657

76/648
76/658



LANDSCAPE LIGHTING WILL BE INSTALLED BY PROFESSIONAL

- TURN OFF POWER
- OPEN WATER SHIELD AND INSTALL PAR16/PAR20/PAR30/PAR38 INCANDESCENT
- ROTATE WATER SHIELD IN TO DESIRED DIRECTION
- TO CONNECT WIRES USING WIRE NUTS EACH SUPPLY WIRE TO CORRESPONDING SOCKET WIRES
- ATTACH LANDSCAPE FLOODLIGHT TO STAKE POST OR CANOPY
- TURN ON POWER

