

# STARFISH WIFI SMART 4" LED DOWNLIGHT

Model: S11259



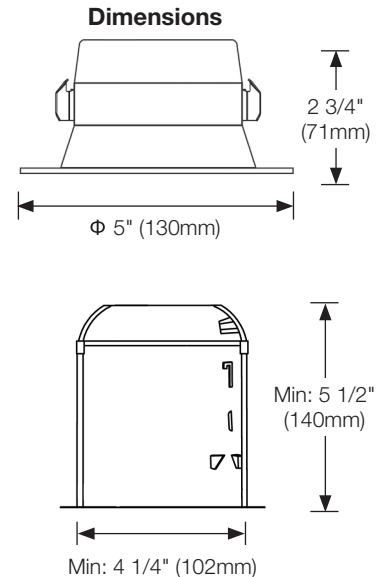
## INSTALLATION AND SAFETY INSTRUCTIONS

**IMPORTANT: Read before installing fixture. Retain for future reference.**

### WARNING: Risk of Fire or Electric Shock

- LED Retrofit Kit installation requires knowledge of luminaires electrical systems. If not qualified, do not attempt installation. Contact a qualified electrician.
- To reduce risk of fire and over-heating, secure all connections.
- TURN OFF the electrical power before proceeding.
- Install this kit only in luminaires that have the construction features and dimensions shown in the photographs and/or drawings and where the input rating of the retrofit kit does not exceed the input rating of the luminaire.
- The electrical rating of this product is 120V/60Hz.
- To prevent wiring damage or abrasion, do not expose wiring to edges of sheet metal or other sharp objects.
- Do not make or alter any open holes in an enclosure of wiring or electrical components during kit installation.
- This retrofit kit is accepted as a component of a luminaire where the suitability of the combination shall be determined by authorities having jurisdiction.
- This device is not intended for use with emergency exits.
- Suitable for wet locations, covered ceiling-mounted luminaire.

**WARRANTY:** This product is guaranteed for a 5-year warranty. Any quality issue in normal use within the warranty period, will be repaired or replaced according to the situation and under the condition specifications can be provided. Visit [www.Satco.com](http://www.Satco.com) for full warranty details and dimmer compatibility information.



### INSTALLATION

**STEP 1:** Turn OFF power prior to installation.

**STEP 2:** Remove existing trim installed in recessed housing (if necessary).

**STEP 3:** If applicable, slide lamp holder bracket to its upward maximum position. If the lamp holder bracket is less than 4 1/2" from the bottom edge of the fixture enclosure, the lamp holder bracket must be removed.

**STEP 4:** If necessary, remove the lamp holder mounting bracket and the lamp holder from the bracket, then attach the provided label to the existing luminaire. See Figure A.

**STEP 5:** Install adapter into socket. See Figure B.

**STEP 6:** Connect the orange terminals together. See Figure C.

**STEP 7:** Insert torsion springs into luminaire housing brackets. See Figure D.

**STEP 8:** Gently push up trim and torsion springs so they begin to expand and lift trim in place. See Figure E. Installation is complete. Turn power ON.

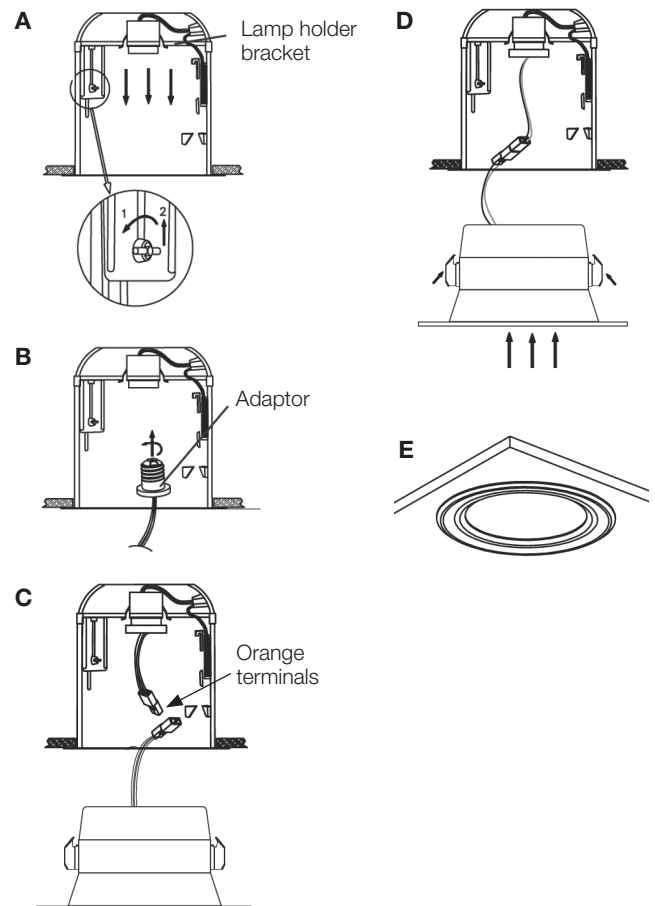
**STEP 9: App Connection:** To connect your device, download the free "Starfish Smart Lighting" App from the app store. Please refer to our Starfish User Guide for detailed instructions on how to pair your device.

#### For Installation into existing recessed LED luminaire with compatible connectors:

- Follow STEPS 1 and 2 above.

**STEP 3:** Discard medium base adapter.

- Skip STEPS 4 and 5 above. Continue with STEPS 6, 7 and 8 above.



Download the  
STARFISH App

