

# PHILIPS UHP BP96-01653A

## REPLACEMENT LAMP FOR SAMSUNG® DLP PROJECTION TELEVISION

### USER INSTRUCTIONS

#### CAUTION:

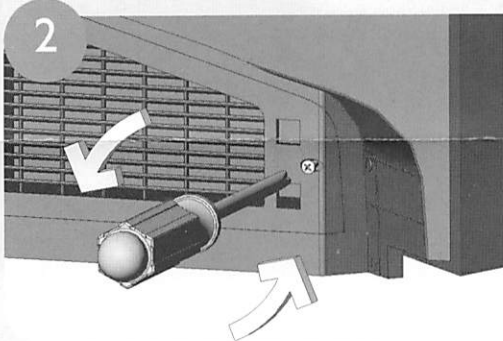
- Do not attempt to remove the lamp immediately after use; doing so can cause serious burns. Prior to removing lamp, switch off the power supply to the television and wait approximately 60 minutes or more to allow for complete lamp cooling.
- Avoid touching the glass portion(s) of the lamp with bare hands; fingerprints, dirt and dust may cause early lamp failure and/or image obscurity. It is recommended that gloves be worn when replacing the lamp.
- When transporting the replacement lamp, use the box that is provided to avoid breakage.

#### WARNING:

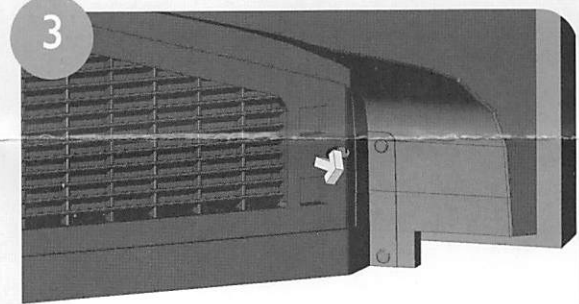
- To avoid overheating and/or fire, ensure that the replacement lamp is mounted securely.
- Hg - LAMP CONTAINS MERCURY, Manage in Accord with Disposal Laws. See: [www.lamprecycle.org](http://www.lamprecycle.org) or 1-877-977-0755.

### REPLACING THE LAMP

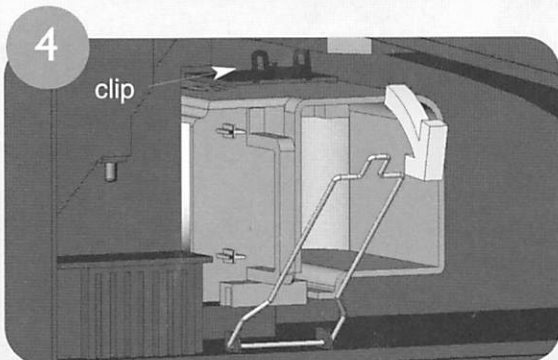
- 1** Switch off power to the television. Unplug the power cord from the wall outlet. **Allow the television to cool for at least 1 hour.**



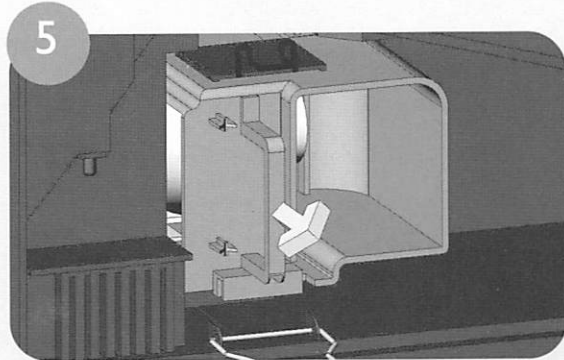
Locate the lamp cover on the rear of the television; using a screwdriver, loosen and remove the screw.



Remove the lamp cover.

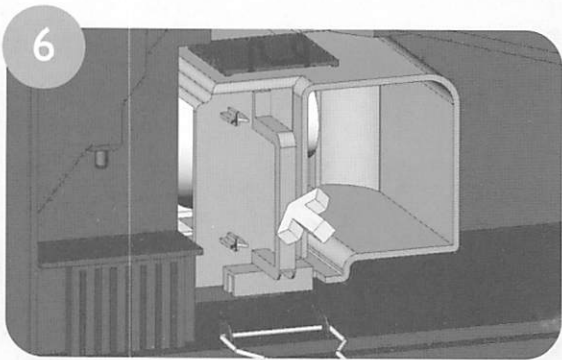


Push the clip and pull down the lamp holder.



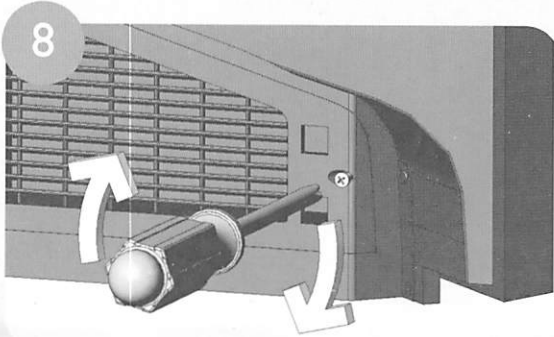
Remove the lamp unit from the television by grasping the handle and pulling it out. Dispose of lamp in accordance with disposal laws.

**Note:** To avoid injury, exercise caution when removing the lamp unit and do not place your hand in the lamp storage area.



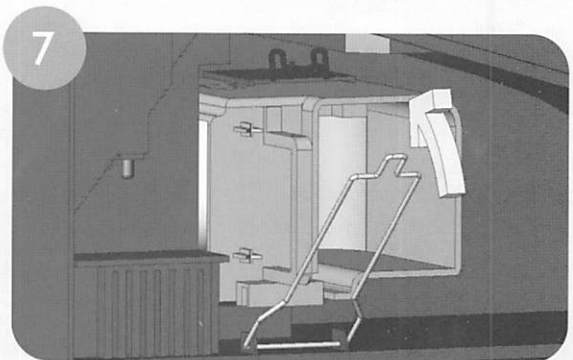
6 Insert the new lamp unit, paying attention to the orientation and direction of insertion. Ensure that the new unit is firmly seated.

**Note:** To avoid shortened lamp life and/or reduced picture quality, do not touch the glass portion of the new lamp.



8 Replace the lamp cover by aligning it with the groove. Tighten the screw on the cover.

**Note:** If the lamp cover is not firmly in place after replacing the lamp, the television will not function. Be sure to install the cover correctly and secure it with the screw.



7 Replace the lamp holder.

9 Plug the power cord back into the wall outlet and turn on the power.