

Philips UHP/915B455011 & 915B455012

REPLACEMENT LAMP FOR MITSUBISHI® DLP® HIGH DEFINITION TELEVISION

USER INSTRUCTIONS

CAUTION:

- Do not attempt to remove the lamp immediately after use; doing so can cause serious burns. Prior to removing lamp, switch off the power supply to the television and wait approximately 60 minutes or more to allow for complete lamp cooling.
- Avoid touching the glass portion(s) of the lamp with bare hands; fingerprints, dirt and dust may cause early lamp failure and/or image obscurity. It is recommended that gloves be worn when replacing the lamp.
- When transporting the replacement lamp, use the box that is provided to avoid breakage.

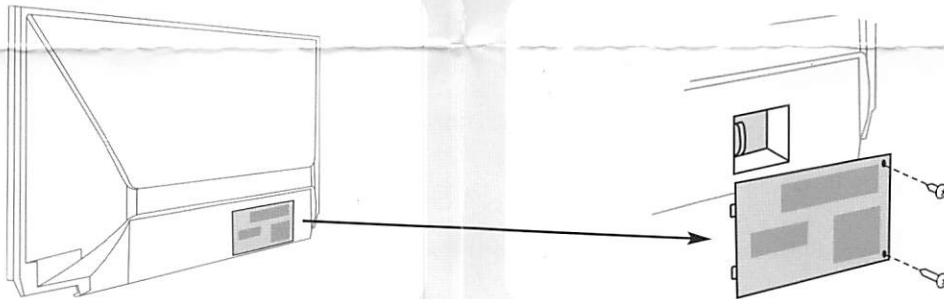
WARNING:

- To avoid overheating and/or fire, ensure that the replacement lamp is mounted securely.
- Hg - LAMP CONTAINS MERCURY, Manage in Accord with Disposal Laws. See: www.lamprecycle.org or 1-877-977-0755.

REPLACING THE LAMP

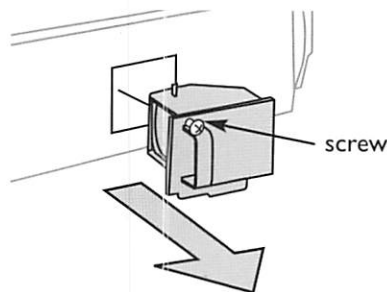
1 Switch off power to the television and wait about two minutes until the cooling fan stops. Unplug the power cord from the wall outlet. **Allow the television to cool for at least 1 hour.**

2



Using a Phillips head screwdriver, loosen and remove the two screws securing the outside lamp cover; remove the cover.

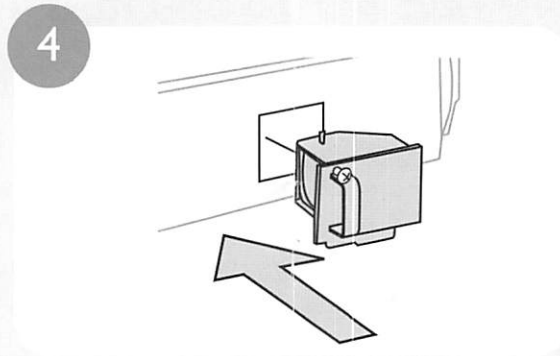
3



Loosen (but do not remove) the screw securing the lamp unit. Remove the lamp unit by grasping the handle and pulling straight out. Dispose of the lamp in accordance with disposal laws.

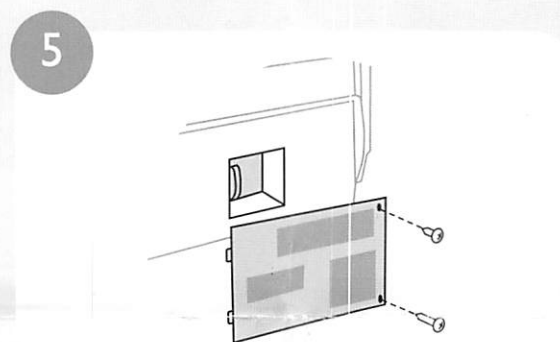
Note: To avoid injury, exercise caution when removing the lamp unit and do not place your hand in the lamp storage area.

PHILIPS



Insert the new lamp unit, paying attention to the orientation and direction of insertion. Ensure that the new unit is firmly seated. Tighten the screw securing the lamp cartridge, taking care not to overtighten.

Note: To avoid shortened lamp life and/or reduced picture quality, do not touch the glass portion of the new lamp.



Replace the outside lamp cover; replace the screws securing the cover.

6 Plug the power cord back into the wall outlet and turn on the power.