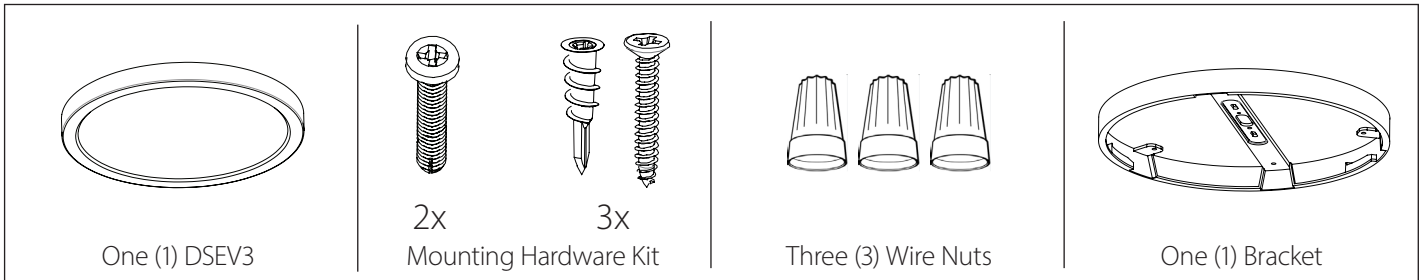




WARNING:

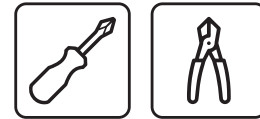
- Risk of electric shock. Disconnect power at fuse or circuit breaker before installing or servicing.
- Be careful not to damage or cut the wire insulation during installation. Do not permit wires to contact any surface having a sharp edge.
- Suitable for use in wet locations.
- Use only on 120VAC, 60Hz circuits.

What's In The Box



Tools Needed

This DSE Series requires very few tools for installation. A screwdriver and a pair of wire cutters may help to install the product to a J-Box.

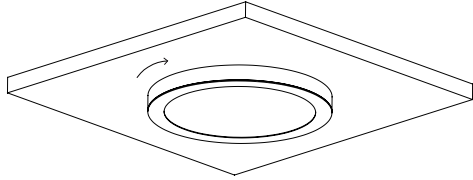


Standard 4" pancake, 4/0 or 4" non-metallic J-Box Installation

<p>1 Install the mounting bracket to the junction box using the two (2) included mounting screws.</p>	<p>2 Select desired color temperature by sliding switch on back of DSEv3.</p> <p>CCT: 2700/3000/3500/4000/5000K</p>
<p>3 Connect safety cable between fixture and bracket.</p> <p>Safety Cable</p>	<p>4 Connect wiring per the diagram and local electrical code.</p>

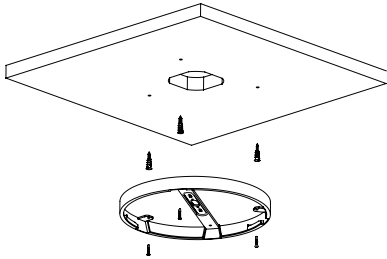
Standard 4" pancake, 4/O or 4" non-metallic J-Box Installation

- 5 Raise fixture into mounting bracket and twist into locking position until secure.



Standard 4" pancake, 4/O or 4" non-metallic J-Box Installation - secured to drywall

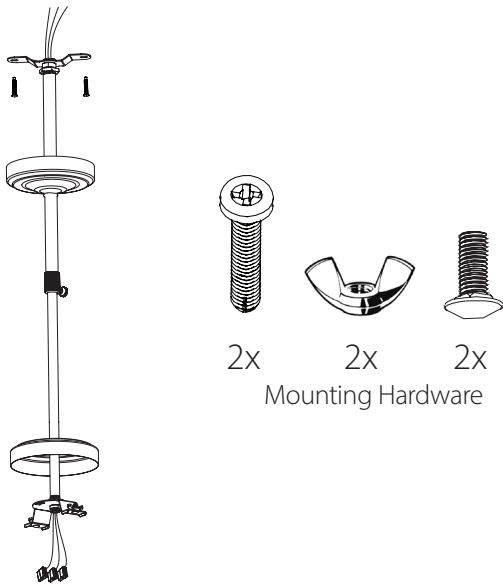
- 1 Attach mounting frame to ceiling with 3 (three) wall anchors and screws (included).



- 2 Follow steps 2-5 above to complete installation.

Pendant Mount (accessory - sold separately)

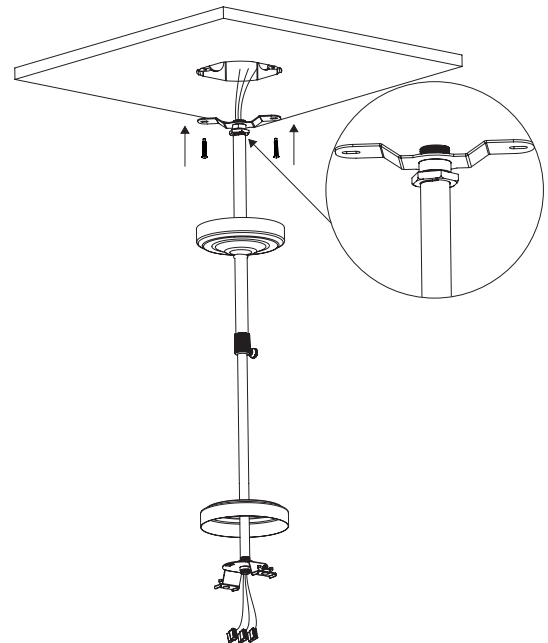
What's In The Box



2x 2x 2x
Mounting Hardware

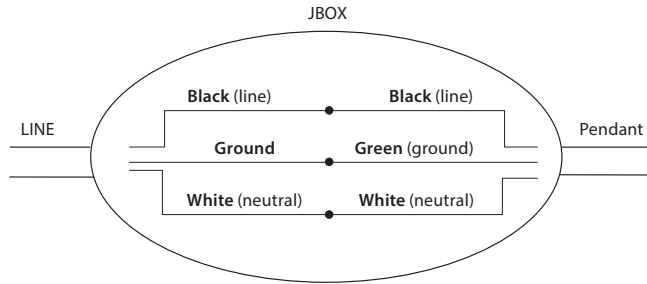
Pendant Assembly

- 1 Attach pendant assembly to junction box with 2 (two) included mounting screws (included).

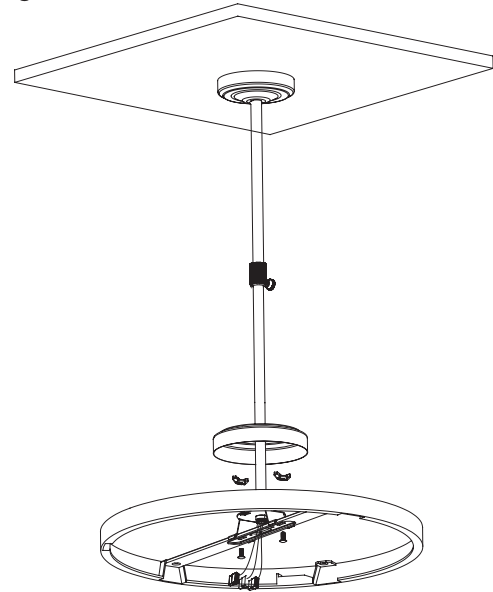


Pendant Mount (accessory - sold separately) (continued)

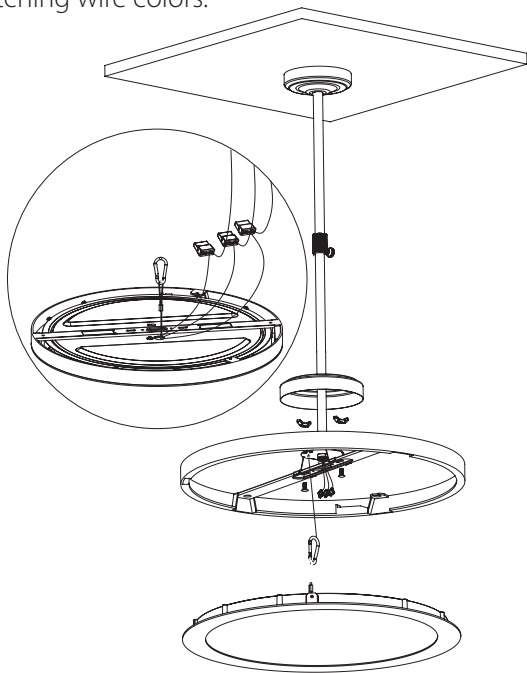
- 2** Connect wiring at junction box per the diagram and local electrical code.



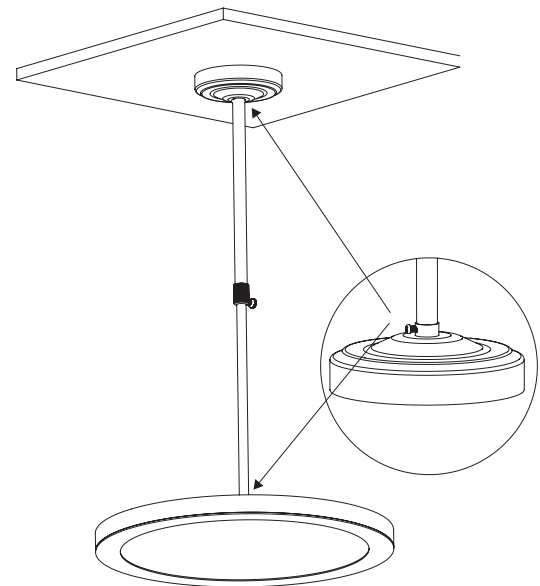
- 3** Lift canopy cover to ceiling and lock in place with collar and tighten screw. Attach fixture mounting bracket to pendant assembly with two screws and wing nuts (included).



- 4** Connect the safety cable between the fixture and bracket. Connect fixture wiring to pendant wiring, matching wire colors.



- 5** Raise fixture into mounting bracket and twist into locking position until secure. Lower canopy cover over wiring and tighten screw. Adjust canopy length as needed and lock into place with set screw.





SALE on Nicor Lighting @ www.BulbAmerica.com
take additional 5% Off with coupon code 5PDF.

DSEv3 Surface Mount LED Downlight

INSTALLATION INSTRUCTIONS

Model(s): DSE113120SRDWH, DSE153120SRDWH

LED EXPRESS LIMITED WARRANTY

Subject to the exclusions below, each NICOR LED product, including the LED electronics and components of a property installed NICOR LED product, will be free from defect in materials and workmanship for a period of five (5) years from the original date of purchase. The product shall be considered defective only if 10% or more of the product's LED components fail. NICOR LED product warranty covers the following performance criteria: LED Light Output will be maintained above 70% of initial output; LED color temperature will not shift more than 200K in CCT; LED driver will operate within NICOR specifications; and the fixture finish, excluding natural aluminum or brass products, will not exhibit cracking, peeling, excessive fading, or corrosion during the warranty period. Exceptions apply as defined in NICOR's product specification sheets, which are incorporated by reference herein. This limited warranty is provided to you, the purchaser of the product identified on Seller's invoice, as your exclusive remedy and applies only to NICOR products that have been purchased from an authorized NICOR Distributor; the product was new and in an unopened NICOR package at the time of installation; and the NICOR product was installed by a licensed electrician or under the supervision of a licensed electrician and used by consumers in the United States or Canada when accompanied with this warranty. This warranty extends only to the first consumer purchaser and is not transferable. A consumer wishing to invoke the terms of this limited warranty must first obtain a RGA number within 30 days of discovery of the defect, and return the product to NICOR for inspection. Once verified to be covered by this limited warranty, NICOR will, at its sole discretion, repair, replace, or refund the purchase price of any product that does not conform to this limited warranty. If NICOR, at its sole discretion, determines that the product should be repaired or replaced, this warranty is limited to the reasonable, customary, and necessary costs and expenses associated with the repair/replacement. This warranty requires that all repair/replacement estimates and costs, including but not limited to equipment rental (if any), and any other cost or expense to be incurred in the repair/replacement of the product, be approved in advance and in writing by NICOR. FAILURE TO OBTAIN NICOR'S ADVANCE WRITTEN APPROVAL OF ALL REPAIR/REPLACEMENT COSTS AND EXPENSES IN WRITING SHALL VOID THIS LIMITED WARRANTY. THIS LIMITED WARRANTY DOES NOT COVER THE FOLLOWING:

- Defects or damages resulting from improper installation, operation, storage, misuse or abuse, accident, or neglect;
- Defects or damages resulting from improper service, testing, adjustment, installation, maintenance, alteration, connection to out-of-specification electrical service, corrosive or damp environments, or connection to incompatible equipment or devices (e.g., connecting non-dimmable lighting products to dimmers);
- Damage which occurs in transit;
- Power surges or overheating due to external conditions;
- Acts of nature including but not limited to lightning strikes.

ANY IMPLIED WARRANTIES, INCLUDING WITHOUT LIMITATION, THE IMPLIED WARRANTIES OF MERCHANTABILITY AND FITNESS FOR A PARTICULAR PURPOSE SHALL BE LIMITED TO THE DURATION OF THIS LIMITED WARRANTY, OTHERWISE THE REPAIR, REPLACEMENT, OR REFUND AS PROVIDED UNDER THIS EXPRESS LIMITED WARRANTY IS THE EXCLUSIVE REMEDY OF THE CONSUMER, AND IS PROVIDED IN LIEU OF ALL OTHER WARRANTIES, EXPRESS OR IMPLIED. IN NO EVENT SHALL NICOR BE LIABLE, WHETHER IN CONTRACT OR IN TORT (INCLUDING NEGLIGENCE) FOR DAMAGES IN EXCESS OF THE PURCHASE PRICE OF THE PRODUCT, OR FOR ANY INDIRECT, INCIDENTAL, SPECIAL OR CONSEQUENTIAL DAMAGES OF ANY KIND, OR LOSS OF REVENUE OR PROFITS, LOSS OF BUSINESS OR OTHER FINANCIAL LOSS ARISING OUT OF OR IN CONNECTION WITH THE ABILITY OR INABILITY TO USE THE PRODUCT TO THE FULL EXTENT THESE DAMAGES MAY BE DISCLAIMED BY LAW.

Copyright 2014, NICOR, Inc. Revised December 2021

This device complies with part 15 of the FCC Rules. Operation is subject to the following two conditions: (1) This device may not cause harmful interference, and (2) this device must accept any interference received, including interference that may cause undesired operation.

NOTE: This equipment has been tested and found to comply with the limits for a Class B digital device, pursuant to part 15 of the FCC Rules. These limits are designed to provide reasonable protection against harmful interference in a residential installation. This equipment generates, uses and can radiate radio frequency energy and, if not installed and used in accordance with the instructions, may cause harmful interference to radio communications. However, there is no guarantee that interference will not occur in a particular installation. If this equipment does cause harmful interference to radio or television reception, which can be determined by turning the equipment off and on, the user is encouraged to try to correct the interference by one or more of the following measures:

- Reorient or relocate the receiving antenna.
- Increase the separation between the equipment and receiver.
- Connect the equipment into an outlet on a circuit different from that to which the receiver is connected.
- Consult the dealer or an experienced radio/TV technician for help.