

DCG4

4" Gimbal Recessed LED Downlight

Product Description

The DCG LED Downlight Gimbal Series provides an economical, easy-to-install upgrade from incandescent lighting to a long-lasting and energy-efficient LED solution. Its easy to use twist-and-turn design allows for fine adjustment of the gimbal position. The 354 degrees of rotation and 35 degrees of adjustable tilt makes the DCG suitable for sloped ceilings and wall wash. The sleek design enhances any interior space with its flush mounting and aesthetic appeal.

Construction

- Durable aluminum flange
- Die cast aluminum heat sink
- Spring-steel, friction fit mounting arms

Optical System

- Polystyrene diffuser creates uniform light distribution with reduced glare
- Internal reflector cone maximizes lumen output

Electrical

- Input voltage 120VAC
- Dimmable to less than 5% with recommended TRIAC dimmers
- Operating temperature of 0° to 104°F (-18°C to 40°C)
- TM-21 Reported L70(10K) hours = 56,000
- LM-79, LM-80 testing performed in accordance with IESNA standards
- Meets FCC Part 15, Subpart B, Class B standards for conducted and radiated emissions

Mounting and installation

- Compatible with most 4" recessed housings
- Suitable for IC rated housings
- Quick and easy installation with a screw-in Edison base (GU24 socket string available) and friction clip mounting system

Finish

- Matte white powder coat

Warranty

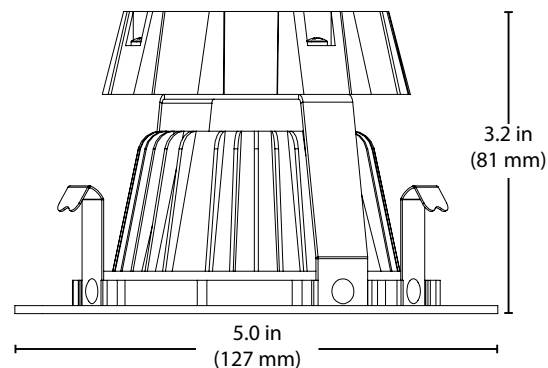
- 5-year limited system warranty standard
- Warranty does not cover product failure due to an overvoltage event (power surge.) For installations where power surge may be possible, NICOR recommends installing additional surge protection at the electrical distribution panel

Project

Catalog

Type

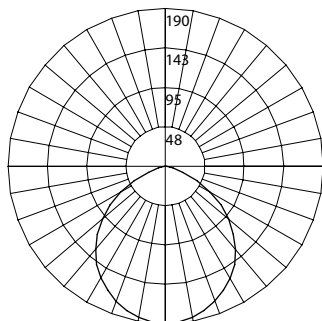
Date



Photometric Data

DCG4 2700K

Input Voltage (VAC)	120V
System Level Power (W)	7.5
Delivered Lumens (Lm)	534
System Efficacy (Lm/W)	71.4
Correlated Color Temp (K)	2722
Color Rendering Index (CRI)	93 R9 =59
Beam Angle	113°
Spacing Criteria	1.26



Intensity Summary (Candle Power)

Angle	Mean CP
0	190
5	189
15	183
25	170
35	151
45	128
55	100
65	67
75	31
85	3
90	0

CCT Data Multiplier

DCG421203K	1.020
DCG421204K	1.058
DCG421205K	1.071

Cone of Light Tabulation

Mounted height (Feet)	Footcandles Beam Center	Diameter (Feet)
4	11.5	5.0
6	5.1	7.6
8	2.9	10.1
10	1.9	12.6
12	1.3	15.1
14	0.9	17.6
16	0.7	20.1

Zonal Lumen Summary

Zone	Lumens	% of Luminaire
0-30	148	27.7%
0-40	243	45.4%
0-60	430	80.5%
0-90	534	100%
90-180	0	0%
0-180	534	100%

Fixture tested per LM-79-08. Photometric data is of the performance of a representative fixture. Results may vary in the field.

Performance Data

Model Number	Lumens	Watts	Lumens/Watt
DCG421202K	534	7.5	71.4
DCG421203K	545	7.5	72.8
DCG421204K	565	7.5	75.5
DCG421205K	572	7.5	76.4

Recommended Dimmers*

Lutron Maestro MACL-153M
Lutron Diva DVELV-300P
Lutron Skylark SELV-300P
Legrand Adorne SofTap ADTP703TUW4
Leviton C22-06672-1LW

*Not a complete list. Check compatibility before installation.

Housing Compatibility*

19000A-LED-ID	4" LED IC AIRTIGHT NEW CONSTRUCTION HOUSING
19001AR-LED-ID	4" LED IC AIRTIGHT REMODEL HOUSING
MOST STANDARD 4" HOUSINGS	

Ordering Information

Example: DCG421202KWH

Series	Version	Voltage	CCT's	Trim
DCG4	2	120	2K (2700 K)	WH
			3K (3000 K)	
			4K (4000 K)	
			5K (5000 K)	

Specifications and dimensions subject to change without notice.

This device complies with part 15 of the FCC Rules. Operation is subject to the following two conditions: (1) This device may not cause harmful interference, and (2) this device must accept any interference received, including interference that may cause undesired operation.

NOTE: This equipment has been tested and found to comply with the limits for a Class B digital device, pursuant to part 15 of the FCC Rules. These limits are designed to provide reasonable protection against harmful interference in a residential installation. This equipment generates, uses and can radiate radio frequency energy and, if not installed and used in accordance with the instructions, may cause harmful interference to radio communications. However, there is no guarantee that interference will not occur in a particular installation. If this equipment does cause harmful interference to radio or television reception, which can be determined by turning the equipment off and on, the user is encouraged to try to correct the interference by one or more of the following measures:

- Reorient or relocate the receiving antenna.
- Increase the separation between the equipment and receiver.
- Connect the equipment into an outlet on a circuit different from that to which the receiver is connected.
- Consult the dealer or an experienced radio/TV technician for help.