

# CLR8

## 8" Commercial Recessed LED Downlight

### Product Description

Designed for both new construction and retrofit applications, the CLR Series can be installed directly into drywall, a ceiling grid or an existing 8" CFL mounting frame with its spring loaded retention tabs and a J-box cable connection. Offering a full range of dimming from 0-10 volts, the base fixture is white but has available trims in nickel, oil-rubbed bronze and black making it adaptable to most any environment. The versatility of this light source is perfect for commercial applications, such as educational and governmental facilities, retail and grocery lighting, offices or hospitality.

#### Construction

- Cast aluminum heat sink
- Matte white plastic trim
- Certified for direct contact with insulation

#### Optical System

- Polystyrene diffuse creates uniform light distribution that reduces glare without sacrificing lumen output

#### Electrical

- Universal input 120-277VAC
- Driver delivers full-range dimming from 0-10VDC
- Silent and flicker-free operation
- Tight LED binning ensures color uniformity
- Operating temperature of 0° to 120°F (-18°C to 49°C)
- Meets FCC Part 15, Subpart B, Class A standards for conducted and radiated emissions
- TM-21 Reported L70(10k) life >54,000 hours
- TM-21 Calculated L70(10k) life = 67,000 hours
- LM-79, LM-80 testing performed in accordance with IESNA standards

#### Finish

- Matte white, smooth plastic trim

#### Installation

- Easy installation into most 8" incandescent or fluorescent frames
- Housing or frame not needed for new construction installation
- Suitable for wet locations
- Adjustable, spring loaded retention tabs ensure secure fixture retention on ceilings up to 1 1/2" thick
- For installations where power surge may be possible, NICOR recommends installing additional surge protection at the fixture or electrical distribution panel

#### Warranty

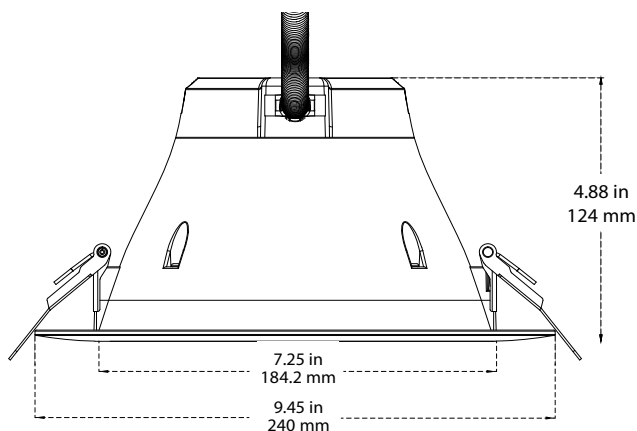
- 5-year limited system warranty standard
- Warranty does not cover product failure due to an overvoltage event (power surge)

Project \_\_\_\_\_

Catalog \_\_\_\_\_

Type \_\_\_\_\_

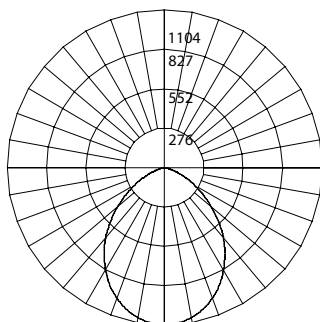
Date \_\_\_\_\_



## Photometric Data

### CLR8 2700K

Input Voltage (VAC)	120-277V
System Level Power (W)	25.7
Delivered Lumens (Lm)	2229
System Efficacy (Lm/W)	86.8
Correlated Color Temp (K)	2721
Color Rendering Index (CRI)	83
Beam Angle	89.2°
Spacing Criteria	1.14



#### Intensity Summary (Candle Power)

Angle	Mean CP
0	1104
5	1096
15	1033
25	913
35	743
45	543
55	335
65	162
75	51
85	12
90	0

#### Cone of Light Tabulation

Mounted height (Inches)	Footcandles Beam Center	Diameter (Inches)
4	69.0	5.7
6	30.7	8.5
8	17.2	11.4
10	11.0	14.2
12	7.7	17.1
14	5.6	19.9
16	4.3	22.7

#### CCT Data Multiplier

3000K	1.018
3500K	1.043
4000K	1.069
5000K	1.077

#### Zonal Lumen Summary

Zone	Lumens	% of Luminaire
0-30	814	36.5%
0-40	1278	57.3%
0-60	1996	89.5%
0-90	2229	100.0%
90-180	0	0.0%
0-180	2229	100.0%

#### Performance Data

Model Number	Lumens	Watts	Lumens/Watt
CLR8-10-UNV-27K-WH	2229	25.7	86.8
CLR8-10-UNV-30K-WH	2269	25.7	88.3
CLR8-10-UNV-35K-WH	2325	25.7	90.5
CLR8-10-UNV-40K-WH	2382	25.7	92.7
CLR8-10-UNV-50K-WH	2400	25.7	93.4

#### Recommended Dimmers\*

Lutron NTSTV-DV-WH  
Lutron DVSTV  
Cooper SF10P  
Legrand RH4FBL3PW

\*Not a complete list. Check compatibility before installation.

## Ordering Information

Example: CLR8-10-UNV-30-WH

Series	Version	Voltage	CCT's	Color
CLR8	10 (Version 1.0)	UNV (120-277V)	27 (2700 K)	WH (White)
			30 (3000 K)	
			35 (3500 K)	
			40 (4000 K)	
			50 (5000 K)	

Specifications and dimensions subject to change without notice.

## Accessories

Accessories sold separately

Black 8" Trim	CLR8-TR-BK
Nickel 8" Trim	CLR8-TR-NK
Aged Copper 8" Trim	CLR8-TR-AC
Extension Ring	CLR8-10-EXT
Extension Ring and Clips for 10" Frame	CLR8-10-EXT-CLIPS
Rough in Template	ROUGHIN-TEMPLATE-8