

sunlite® INSTALLATION INSTRUCTIONS

LED T-GRID FIXTURE

Please read and understand this entire manual before attempting to assemble, operate or install the product.

WARNING: Avoid fire or electric shock. Follow installation instructions carefully. If unsure about electrical installation, consult a qualified electrician. Wear rubber-soled shoes and work on a sturdy wooden ladder. Ground fixture to avoid potential electric shock. Handle metal parts carefully to prevent cuts. To avoid a hazard to children, account for all parts and destroy all packing material. This product is only suitable for indoor applications.

CAUTION: Turn off the power at fuse or circuit breaker box before installation and maintenance.

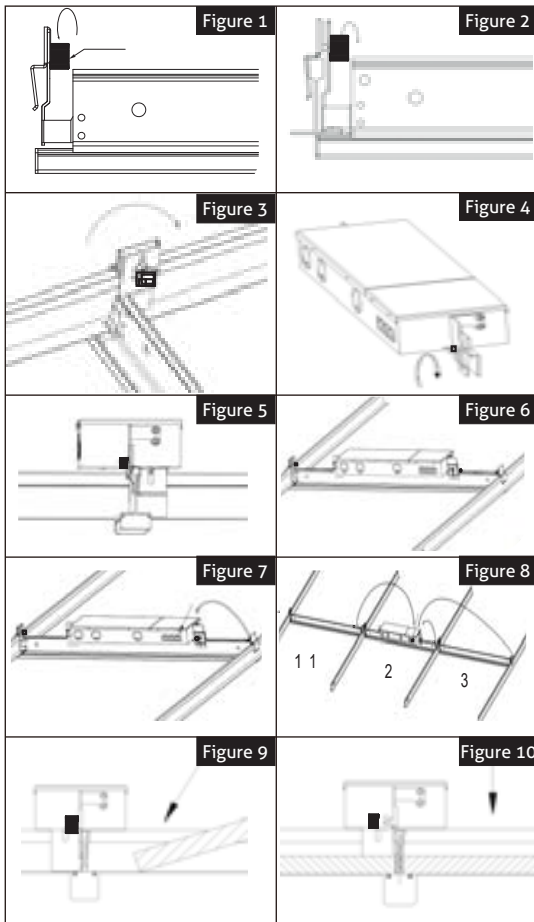
NOTE: This fixture is suitable for 120-277-Volt fused circuits. Fixture must be installed according to National Electric Code and local building codes. If you are unsure about wiring, consult a qualified electrician. **THIS FIXTURE BODY IS ONE PIECE, DO NOT DISASSEMBLE OR MAKE ALTERATIONS.**

This device complies with part 15 of the FCC Rules. Operation is subject to the following two conditions: (1) this device may not cause harmful interference, and (2) this device must accept any interference received, including that may cause undesired operation.

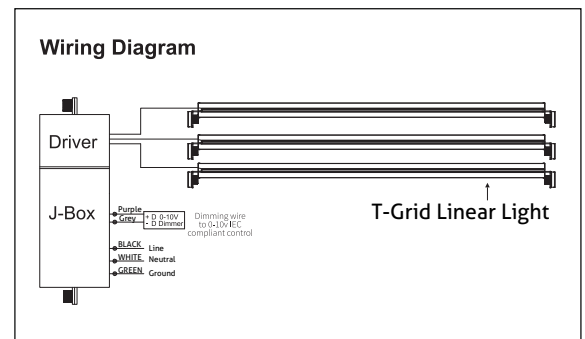


DIMMABLE
 Compatible with most wall based 0-10V dimming controllers

Installation (Mounting hardware not included)



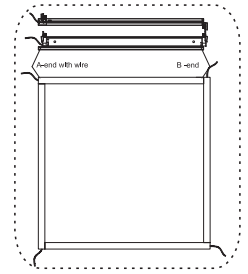
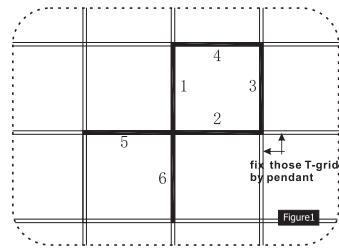
- Step 1:** Unlock the two nuts at the ends of the fixture (Figure 1).
- Step 2:** Install the fixture to ceiling grid and tighten the two terminal nuts (Figure 2 and Figure 3).
- Step 3:** Unlock the nuts from both end of Junction box (Figure 4).
- Step 4:** Secure the junction box to the fixture and tighten the two terminal nuts (Figure 5 and Figure 6).
- Step 5:** Connect the connector (RJ45) from fixture to the output connector of Junction Box (Figure 7).
Please note one driver can only support Max 3 units(Figure 8).
- Step 6:** Open the Junction box, connect the L (live), N (Neutral), G (Ground) wires by using the 4-pin connectors and connect the dimming wire with the orange connector cap.
- Step 7:** Cover the plasterboard to finish installation and ensure there is no opening at ceiling. (Figure 9 and Figure 10)



Installation(cont.)

("L" shape, "□" shape, "T" shape, "+" shape)

You can remove the related T-grid from the drop ceiling according to your shape design.
 For example, for "□" shape, remove the No.1, No.2, No.3 and No. 4 T-grid;
 for "+" shape, remove the No.1, No.2, No.5 and No. 6 T-grid;
 Pls note: The adjacent T-grid must be fixed by the pendant. (figure 1)

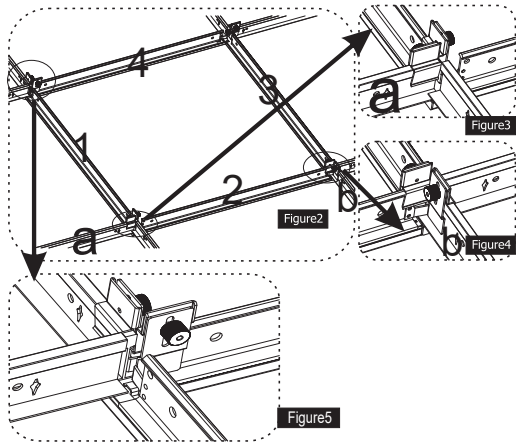


• "L" SHAPE INSTALLTION STEP:

- Step 1. for the No.1 Light fixture, fix the A-end with wire of the No.1 light fixture by pendant and the B-end on the "a" T-Grid.
- Step 2. fix the No. 2 light fixture on the No. 1 light fixture with the A-end with wire, and the B-End on the "b" T-Grid.

• "□" SHAPE INSTALLTION STEP:

Follow up the "L" shape installation, using the same method as "L" sahpe did, install the No.3 and No.4 light fixture. (Figure, 2, Figure 3, Figure 4, Figure 5)

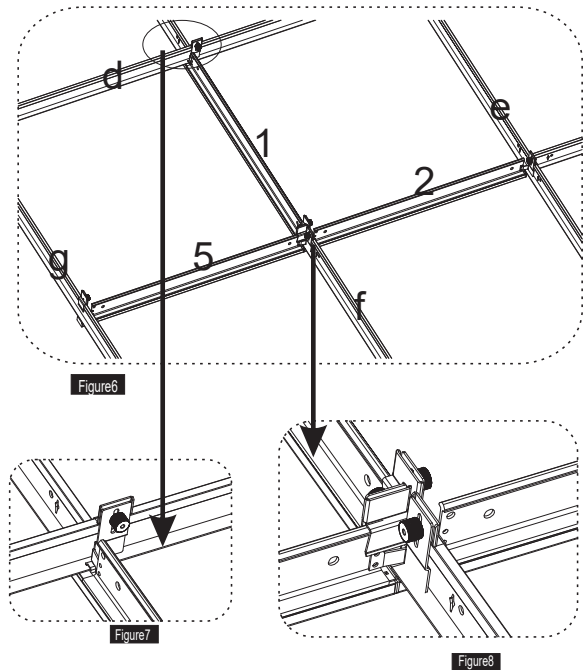


• "T" SHAPE INSTALLTION STEP:

- Step 1. Install the No.1 Light fixture, fix the A-End with wire of the light fixture on the "d" T-Grid and the B-end by pendant.
- Step 2. Fix the A-end with wire of the No.2 light fixture on the No.1 light fixture, and the B-end of the fixture on the "e" T-Grid.
- Step 3. Using the same method, fix the A-end with wire of the No.5 light fixture on the "g" T-Grid, and the B-End on the "f" T-Grid.

• "+" SHAPE INSTALLTION STEP:

Follow up the "T" shape installation, and replace the "f" T-Grid with one light fixture (Figure 7, Figure 8 and Figure 9)



Sunshine Lighting Company

744 Clinton Street Brooklyn, NY 11231, USA

T. 718.768.7000

F. 718.768.0970

www.sunlite.com