

sunlite®

INSTALLATION INSTRUCTIONS

HALF HEXAGON WALL SCONCE | 88680-SU LFX/WS/SCT/HH/12W/BK



Please read and understand this entire manual before attempting to assemble, operate or install the product.

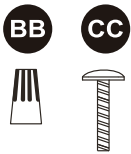
WARNING: Avoid fire or electric shock. Follow installation instructions carefully. If unsure about electrical installation, consult a qualified electrician. Wear rubber-soled shoes and work on a sturdy wooden ladder. Ground fixture to avoid potential electric shock. Handle metal parts carefully to prevent cuts. To avoid a hazard to children, account for all parts and destroy all packing materials. **MIN 75°C SUPPLY CONDUCTOR.**

This device complies with part 15 of the FCC rules. Operation is subject to the following two conditions: (1) This device may not cause harmful interference, and (2) this device must accept any interference received, including interference that may cause undesired operation.

CAUTION: Turn off the power at fuse or circuit breaker box before installation and maintenance. NOTE: This fixture is suitable for 120Volts fused circuit. Fixture must be installed according to National Electric Code and local building codes. If you are unsure about wiring, consult a qualified electrician. Suitable for wet Locations.

Before beginning assembly and installation of product, make sure all parts are present. Compare parts with package contents list and diagram above. If any part is missing or damaged, do not attempt to assemble, install or operate the product. Contact customer service for replacement parts.

Introduction



Part	Item Name
A	HALF HEXAGON WALL SCONCE
BB	Wire Nuts
CC	4X30MM Screws

Installation

1. Preparing for installation

- A. Disconnect electrical power before installing or servicing any part of this fixture.
- B. Remove the fixture from carton.

2. Wiring (all wiring must take place inside junction box)

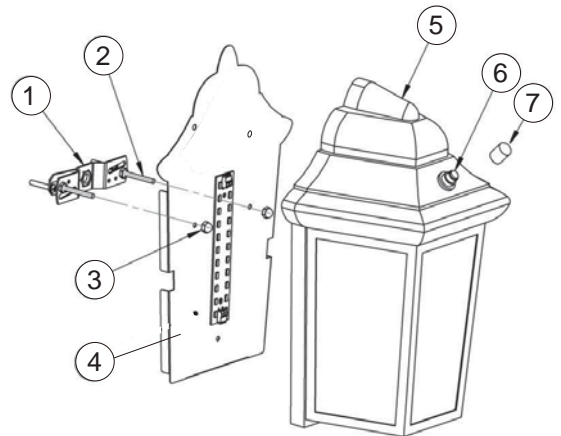
Caution: This unit will not operate properly unless connected to a "grounded" electrical circuit. Electrical shock, over heating, low or no light output, and shortened LED life can result if proper grounding is not done. Securely attach green (or green and bare) wire to ground supply wire.

- A. Secure gem bar (1) to the junction box (not supplied) with two screws (supplied).
- B. Using wire nuts (supplied), connect white (neutral) supply wire to white fixture wire; connect black (hot) supply wire to black fixture wire. Pull on each wire lead to verify all connections are secure. Make certain no bare wires are exposed outside of the wire nuts.
- C. Connect the green wire from the power source to the green screw on the gem bar.
- D. Tuck all connections neatly into junction box.

3. Mounting

- A. Fasten fixture (4 & 5) to gem bar using thumb screws (3).
- B. Apply a bead of silicone sealant (not supplied) around the perimeter of the fixture.

4. Power to the fixture can now be restored



Sunshine Lighting Company

744 Clinton Street Brooklyn, NY 11231, USA

T. 718.768.7000

F. 718.768.0970

www.sunlite.com