

# sunlite®

## INSTALLATION INSTRUCTIONS

LED BACKLITE FLAT PANEL FIXTURES  
For Models: 2x2, 2x4

**Please read and understand this entire manual before attempting to assemble, operate or install the product.**

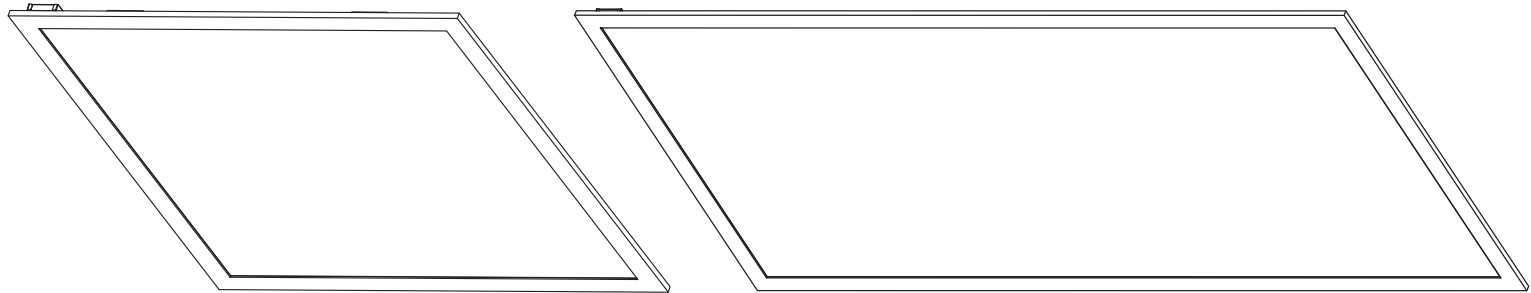
**WARNING:** Avoid fire or electric shock. Follow installation instructions carefully. Risk of fire or electric shock. LED Retrofit Kit installation requires knowledge of luminaires electrical systems. If not qualified, do not attempt installation. Contact a qualified electrician.

Install this kit only in luminaires that have the construction features and dimensions shown in the photographs and/or drawings and where the input rating of the retrofit kit does not exceed the input rating of the luminaire. Wear rubber-soled shoes and work on a sturdy ladder. Ground fixture to avoid potential electrical shock. Do not make or alter any open holes in an enclosure of wiring or electrical components during kit installation. To prevent wiring damage or abrasion, do not expose wiring to edges of sheet metal or other sharp objects.

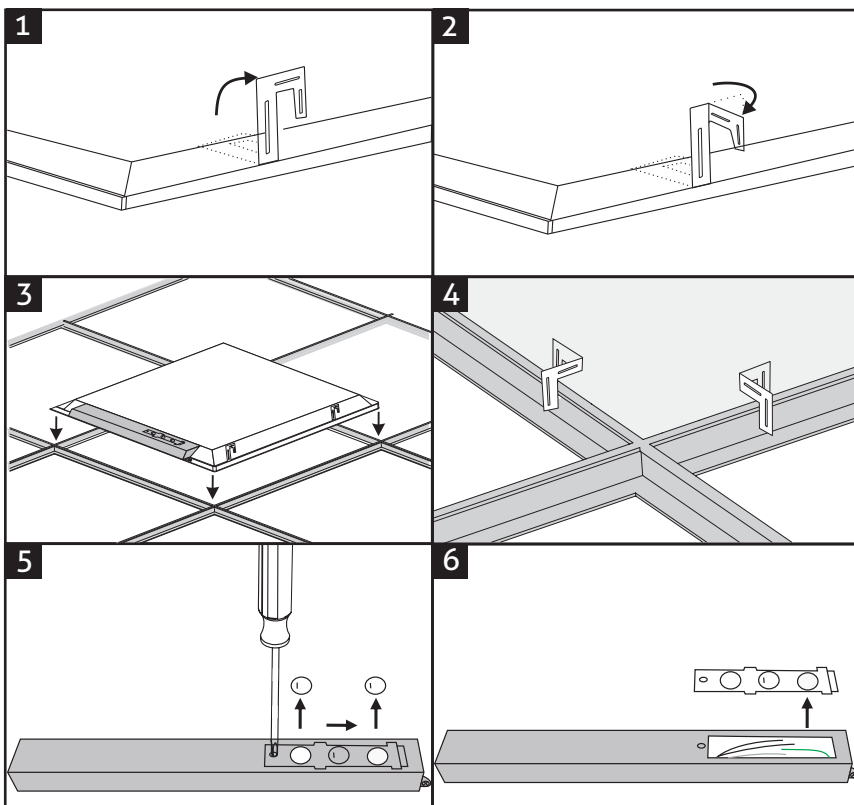
**CAUTION:** Turn off the power at fuse or circuit breaker box before installation and maintenance to avoid electric shock. This retrofit should be used on 120-Volt fused circuits. Fixture must be installed according to National Electric Code and local building codes. If you are unsure about wiring consult a qualified electrician. **THIS FIXTURE BODY IS ONE PIECE, DO NOT DISASSEMBLE OR MAKE ALTERATIONS.** Not to be used for emergency lighting. Suitable for damp locations.

**This device complies with part 15 of the FCC Rules. Operation is subject to the following two conditions: (1) this device may not cause harmful inference, and (2) this device must accept any inference received, including that may cause undesired operation.**

*Retain these instructions for future maintenance reference.*



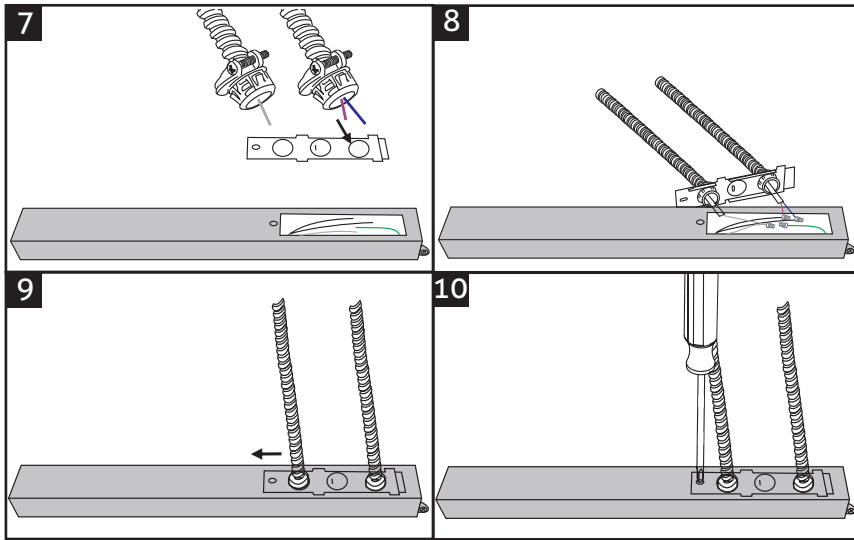
## Installation



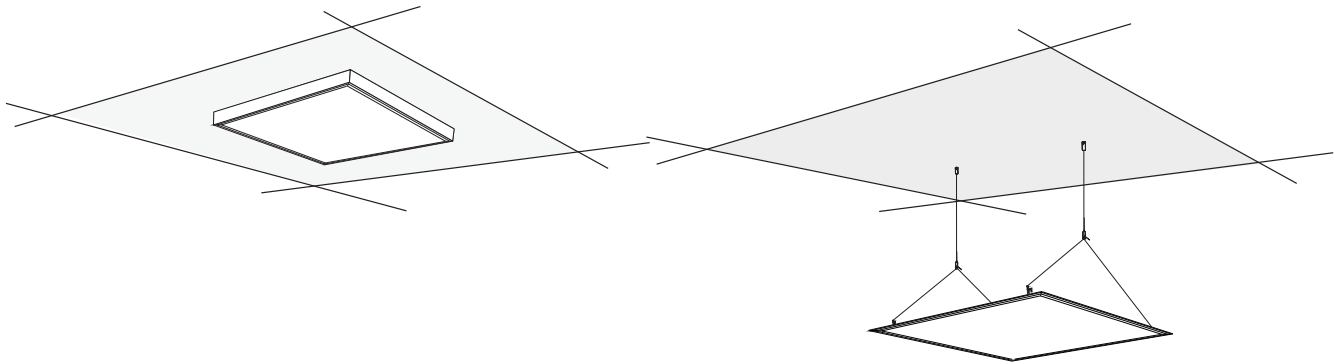
### Installation Steps:

1. Turn off power at fuse box prior to installing.
2. Lift the mounting clip on the edge of panel (Fig. 1), Turn the mounting clip head (Fig. 2), then Put the panel into grid ceiling (Fig. 3). Check the clips well fasten to T-BAR (Main/Cross ceiling tee) (Fig. 5).
3. Remove the Driver Box cover (Fig.6). Open the knockout hole (Fig. ).
4. Insert the cable into driver box (Fig.8), Connect the AC mains power and 0-10V dim cable (if using 0-10V dimming) to LED Driver for 1-10V dimmable panel. hold back the driver box cover (Fig. 9), fix the driver cover (Fig. 10).
5. Restore power at the source.

## Installation(cont.)



- Suspension Kit & Ceiling Mounted Frame Kit Are Available, More Detail Please Vist [Www.sunlite.com](http://Www.sunlite.com)



**Ceiling Mounted Installation**

**Suspension Installation**