

Product datasheet

OSRAM

ORIGINAL LINE H15

Original spare part



The cost-effective original spare parts

OSRAM ORIGINAL LINE halogen lamps offer convincing performance for standard requirements, are robust and cost-effective. They have already been successfully used in millions of new cars from renowned manufacturers, whether as standard initial equipment or original spare parts. Convince yourself of the excellent value for money, the reliable OEM quality and the wide product range of the ORIGINAL LINE.

Product datasheet

Technical data

Product information

Order reference	64176
Application (Category and Product specific)	Halogen headlight lamp

Electrical data

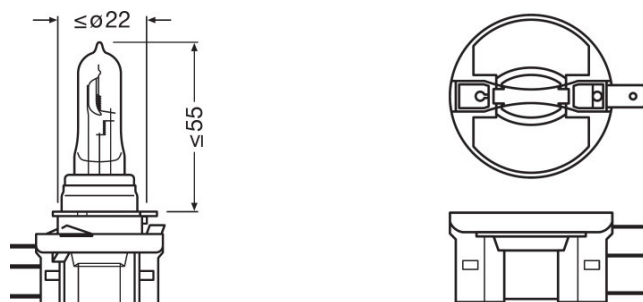
Power input	64 / 19 W ¹⁾
Nominal voltage	12.0 V
Nominal wattage	55/15 W
Test voltage	13.2 V

¹⁾ Maximum

Photometrical data

Luminous flux	260/1350 lm
Luminous flux tolerance	±10 / ±10 %

Dimensions & weight



Diameter	13.0 mm
Product weight	23.00 g
Length	79.0 mm

Lifespan

Lifespan B3	2000 / 250 h ¹⁾
Lifespan Tc	4000 / 500 h ¹⁾

¹⁾ Filament 1 / Filament 2

Additional product data

Base (standard designation)	PGJ23t-1
-----------------------------	----------

Product datasheet

Capabilities

Technology	HAL
------------	-----

Certificates & standards

ECE category	H15
--------------	-----

Country specific categorizations

Order reference	64176
-----------------	-------

Country specific information

Product code	METEL code	SEG-No.	STK-Number	UK Org
4008321218391	OSRA64176	-	-	-
4008321218407	OSRA64176	-	-	-
4008321218391	OSRA64176	-	-	-

Logistical Data

Product code	Product description	Packaging unit (Pieces/Unit)	Dimensions (length x width x height)	Volume	Gross weight
4008321218391	ORIGINAL LINE H15	Folding carton box 1	36 mm x 36 mm x 82 mm	0.11 dm ³	27.00 g
4008321218407	ORIGINAL LINE H15	Bundle 10	972 mm x 84 mm x 641 mm	52.34 dm ³	270.00 g
4008321218414	ORIGINAL LINE H15	Shipping carton box 100	983 mm x 178 mm x 481 mm	84.16 dm ³	2880.00 g

The mentioned product code describes the smallest quantity unit which can be ordered. One shipping unit can contain one or more single products. When placing an order, for the quantity please enter single or multiples of a shipping unit.

Application advice

For more detailed application information and graphics please see product datasheet.

Disclaimer

Subject to change without notice. Errors and omission excepted. Always make sure to use the most recent release.

OSRAM

