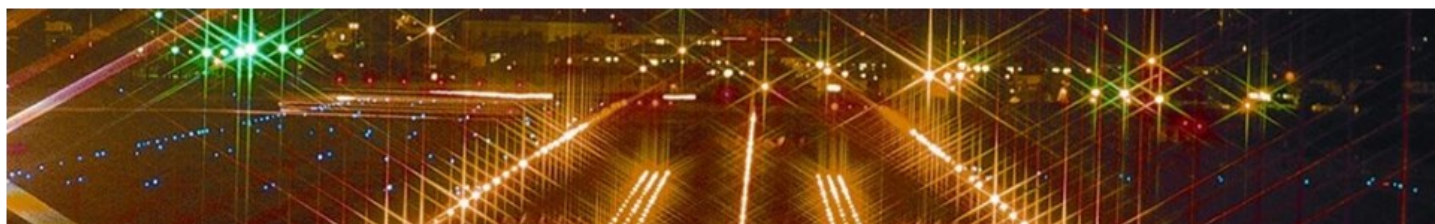



Product Information Sheet

www.narva-plauen.de



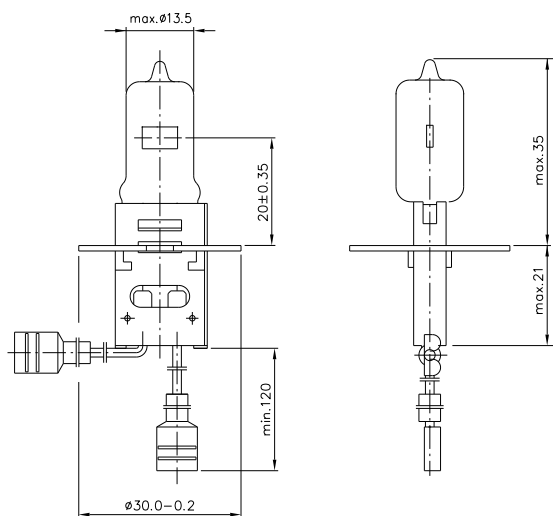
Airfield Halogen Prefocus

	Type 6118 LL 6,6A 150W PK30d female
	Ordering - No. 58369
Product description	Halogen Airfield Lamp with prefocus base
Features	high and constant lumen output, long lifetime, excellent optical adjustment, cement free prefocus base
Applications	Approach and threshold lights, Runway and taxiway lights, Stopbar and touch-down zone light visual approach slope indicator systems (e.g. PAPI) Airport signs

Technical Details

Rated current (A)	6,6
Wattage (W)	150 ± 10 %
Luminous flux (lm)	3600 ± 10 %
Lumen maintenance	min. 95 % after 1500 h
Average lifetime (hours)	2000
Base	PK30d
Cable connector	flat female according DIN 46247
Cable length (mm)	min. 120
Maximum Overall Length (mm)	max. 56
Bulb Diameter (mm)	max. 13,5
Light Center Length (mm)	20,0 +/-0,35
Maximum allowed cable temperature (°C)	250
Maximum allowed pinch temperature (°C)	350
Filament Type	CBAR-6
Burning Position	S90
Chromaticity	Within white boundaries
Packaging quantity	100 pcs.
Environmental remark	Product don't contain lead or mercury and is conform with Directive 2002/95/EC "Restriction of the use of certain hazardous substances in electrical and electronic equipment".

Drawing (in mm)



valid from	05.03.2014—V2—PN14/0072
replace for	30.01.2013—V1
file	58369.100.pdf

