



# MASTERColour CDM-TC

MASTERColour CDM-TC - 70W/842 G8.5 1CT/12

Range of single-ended, very compact, high-efficiency, discharge lamps with a stable color over lifetime and a crisp, sparkling light

## Product data

### • General Information

Cap-Base	G8.5 [ G8.5]
Operating Position	UNIVERSAL [ Any or Universal (U)]
Life To 5% Failures (Nom)	9000 h
Life To 10% Failures (Nom)	8000 h
Life To 20% Failures (Nom)	9000 h
Life To 50% Failures (Nom)	12000 h
Ansi Code HID	-

### • Light Technical

Color Code	842 [ CCT of 4200K]
Luminous Flux (Nom)	5800 lm
Color Designation	Cool White (CW)
Lumen Maintenance 10000 h (Nom)	65 %
Lumen Maintenance 2000 h (Min)	70 %
Lumen Maintenance 2000 h (Nom)	80 %
Lumen Maintenance 5000 h (Min)	65 %
Lumen Maintenance 5000 h (Nom)	75 %
Chromaticity Coordinate X (Nom)	0.362
Chromaticity Coordinate Y (Nom)	0.363
Correlated Color Temperature (Nom)	4200 K
Luminous Efficacy (rated) (Nom)	79 lm/W

Color Rendering Index (Nom)	89
-----------------------------	----

### • Operating and Electrical

Power (Rated) (Nom)	70 W
Re-Ignition Time (Min) (Max)	15 min
Ignition Time (Max)	30 s
Voltage (Max)	93 V
Voltage (Min)	83 V
Voltage (Nom)	88 V

### • Controls and Dimming

Dimmable	No
Run-Up Time 90% (Max)	3 min

### • Mechanical and Housing

Bulb Finish	Clear (CL)
Bulb Material	UV-Block Quartz

### • Approval and Application

Energy Efficiency Label (EEL)	A+
Mercury (Hg) Content (Nom)	7 mg

### • UV

Pet (Niosh) (Min)	8 h/500lx
Damage Factor D/fc (Max)	0.5

# PHILIPS

## MASTERColour CDM-TC

### • Luminaire Design Requirements

Bulb Temperature (Max)	700 °C
Pinch Temperature (Max)	300 °C

### • Product Data

Full product code	871150021275715
-------------------	-----------------

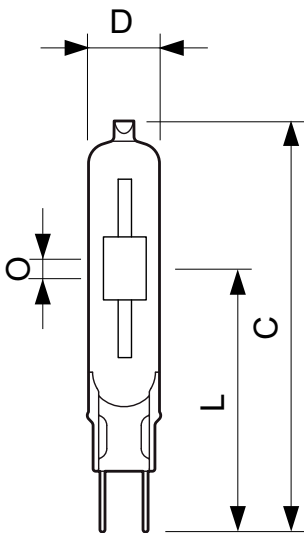
Order product name	MASTERColour CDM-TC - 70W/842 G8.5 1CT/12
EAN/UPC - Product	8711500212757
Order code	928094605131
Numerator - Quantity Per Pack	1
Numerator - Packs per outer box	12
Material Nr. (12NC)	928094605131
Net Weight (Piece)	0.010 kg
ILCOS Code	MT/UB-70/842-H-G8.5-17/85

### Warnings and Safety

- Use only in totally enclosed luminaire, even during testing (IEC61167, IEC 62035, IEC60598)
- The luminaire must be able to contain hot lamp parts if the lamp ruptures
- Control gear must include end-of-life protection (IEC61167, IEC 62035)

- Use only with electronic control gear. 35W/830 lamps may also use electromagnetic gear.
- A lamp breaking is extremely unlikely to have any impact on your health. If a lamp breaks, ventilate the room for 30 minutes and remove the parts, preferably with gloves. Put them in a sealed plastic bag and take it to your local waste facilities for recycling. Do not use a vacuum cleaner.

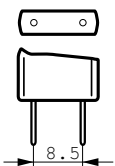
### Dimensional drawing



CDM-TC 70W /842

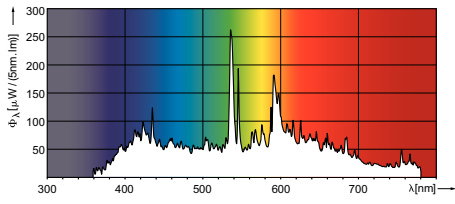
### CDM-TC 70W/842 G8.5

Product	D	O	L	L	L	C
MASTERColour CDM-TC - 70W/842 G8.5 1CT/12	15 mm	5 mm	51 mm	53 mm	52 mm	85 mm



## MASTERColour CDM-TC

### Photometric data



© 2015 Koninklijke Philips N.V. (Royal Philips)  
All rights reserved.

Specifications are subject to change without notice. Trademarks are the property of Koninklijke Philips N.V. (Royal Philips) or their respective owners.

[www.philips.com/lighting](http://www.philips.com/lighting)

2015, December 28  
data subject to change