

# 15800

## Incandescent Steplight

### Product Description

The incandescent step light offers energy savings over 50,000 hours of operation. Approved for use in wet locations, this is an ideal fixture for use in outdoor or indoor wall mount applications, including, concrete pour, brick masonry, or drywall.

#### Features

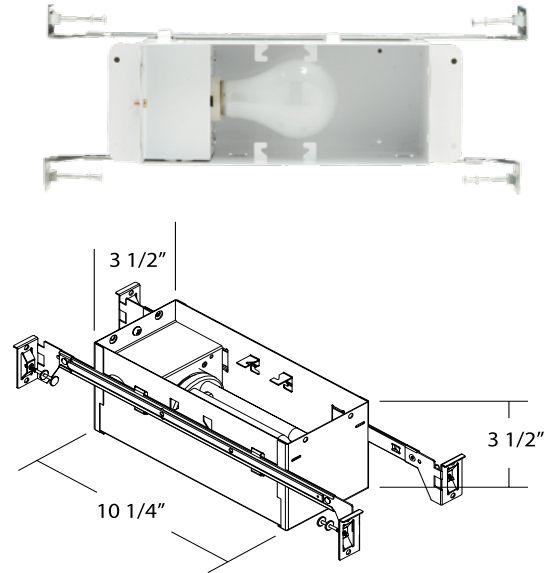
- A19/40W lamp
- Thermally protected.
- 120V input into wiring compartment.
- IC rated at 25W, suitable for direct contact with insulation; at 40W it is UL listed but will be NON-IC, insulation must be kept a minimum of 3" from housing.
- Can be used for residential or commercial applications.
- Damp location listed.
- Lamp not included.

Project \_\_\_\_\_

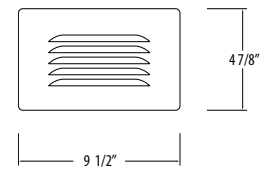
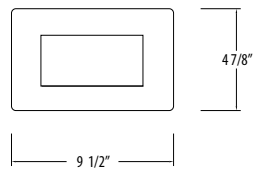
Catalog \_\_\_\_\_

Type \_\_\_\_\_

Date \_\_\_\_\_



<b>15810</b>	Glass Cover	<b>15811</b>	Louvered Cover
--------------	-------------	--------------	----------------



<b>15812</b>	Textured Glass Cover	<b>15813</b>	Textured Frosted Glass Cover
--------------	----------------------	--------------	------------------------------

