

Elevate

At a towering 97" high, over 8' tall, this banner stand makes a maximum impact with the ease and convenience of a retracting banner.



Features and Benefits

- Includes carry bag
- Super tall 4 piece telescopic pole
- Removable roller
- Adjustable feet
- Snap rail

Dimensions

Base Dimensions: 8" d x 2.75" t x 35.5" w

Complete Unit Dimensions: 3.75" d x 97" t x 35.5" w

Weight: 10 lbs

Graphic Dimensions: 33.25" w x 95.25" h (plus 1/2" bleed at top and 6" bleed at bottom)
minimum height: 34.5"

Bag Dimensions: 36.5" x 9" x 4"

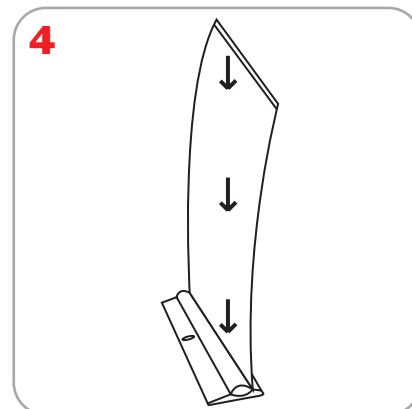
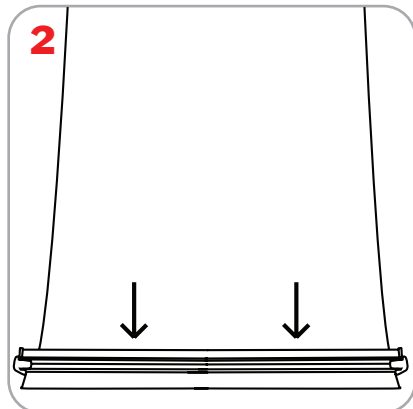
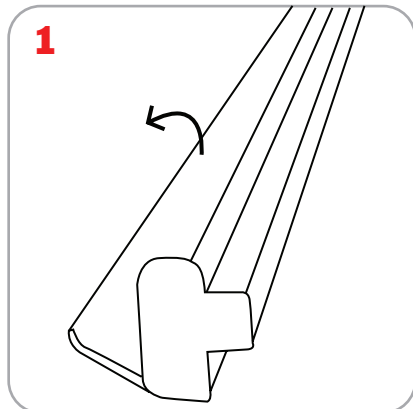
Additional Information

Shipping Dimensions: 39" x 10" x 6"

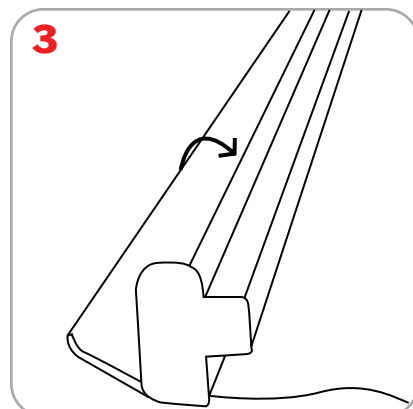
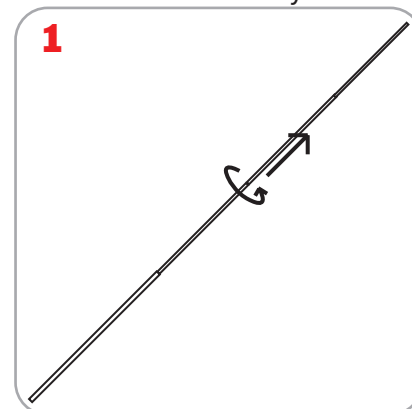
Shipping Weight: 14lbs

Ships in box

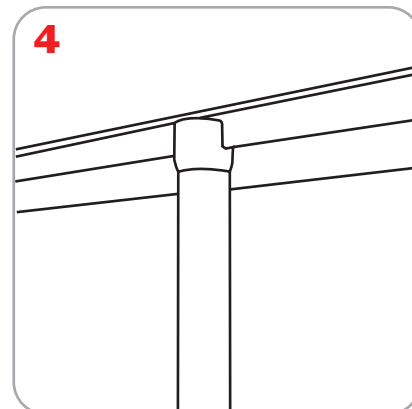
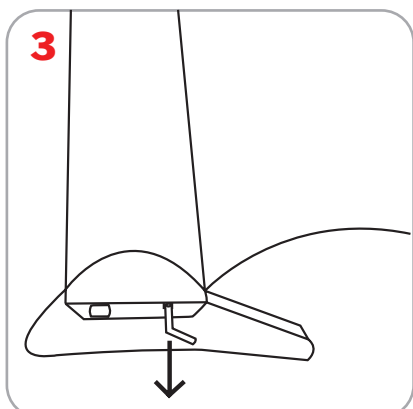
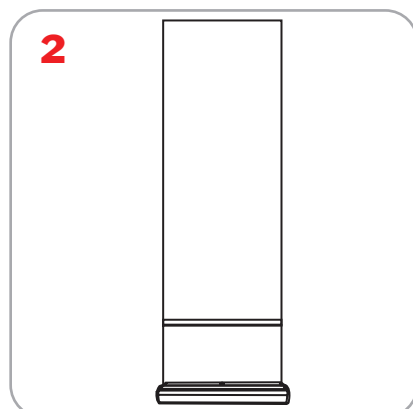
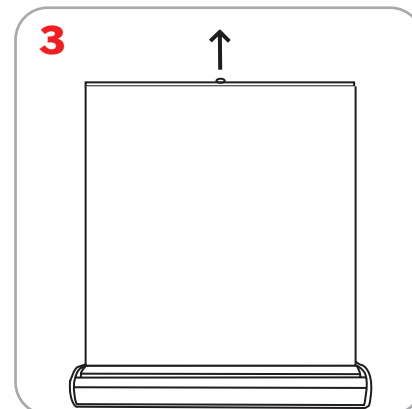
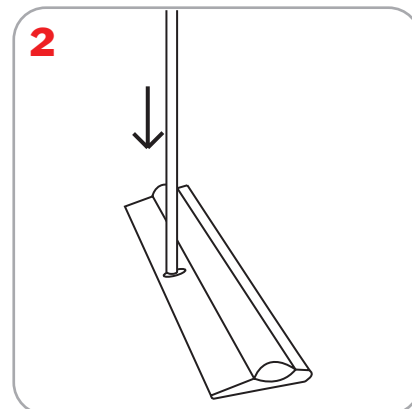
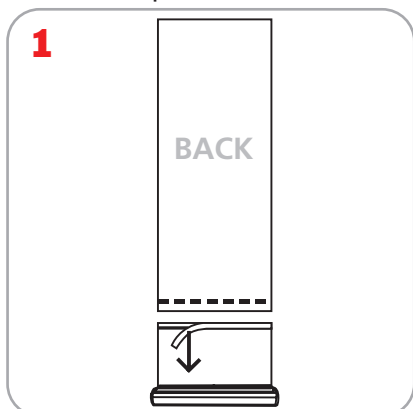
Adhesive Top Rail Attachment



Banner Stand Assembly



Bottom Graphic Attachment - Cassette



Retensioning

