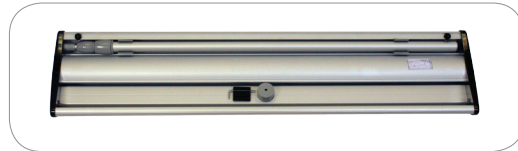


Barracuda

BCD-800-S/BCD-800-B

Stylish design and proven reliability makes the Barracuda a popular quality banner stand. The Barracuda is one of the most feature-rich single sided retractable banner stands available and has been specially designed for maximum convenience and ease of use.



integrated pole storage

features and benefits:

- Variable height = 29.5" - 83.46"
- **New** telescopic pole
- **New** integrated pole storage for the twist & lock telescopic pole
- **New** and improved accessory channel featured on top of unit (for literature pocket)
- Quick slide graphic to leader attachment
- Snap on and off end caps
- Premium form molded bag included
- Graphic tensioner
- Lifetime warranty against manufacturer defects

dimensions:

Hardware

Assembled unit:
86.61"(h) max x 34"(w) x 7.7"(d) approx.
2200mm(h) x 865mm(w) x 195mm(d) approx.

Base dimensions:
3.35"(h) x 34"(w) x 7.7"(d) approx.
85mm(h) x 865mm(w) x 195mm(d) approx.

Weight:
8.4lbs/3.83kg approx. (including carry bag)
(Installed graphic add weight)

Shipping

Shipping dimensions - ships in one box
36"(h) x 11"(w) x 5"(d)
905mm(h) x 260mm(w) x 105mm(d)

Approximate shipping weight:
12lbs/5.44kg shipping weight with graphic approx.

9lbs/3.83kg shipping weight without graphic approx.

Graphic

Visible dimensions:
83.46" max(h) x 31.50" (w)
2120mm(h) x 800mm(w)

29.5" min(h) x 31.50" (w)
750mm(h) x 800mm(w)

Grippa top rail attachment recommended for semi-permanent or long term use. Adhesive top rail attachment recommended for short term use.

WARNING: Always attach graphic to base and top rail before removing the locking pin. After fitting, the graphic should be left for 24 hours before use to ensure the adhesive bonds sufficiently. Opening the base will invalidate the product warranty.

Graphic tension may be re-applied or added by removing the end cap, then turn the ratchet tensioner clockwise.



additional information:

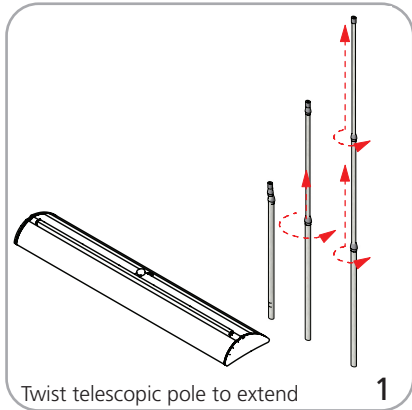
Graphic materials:
14oz. anti-curl vinyl, 8oz. oxford,
11 mil melinex

Lumina 2 banner lighting option available

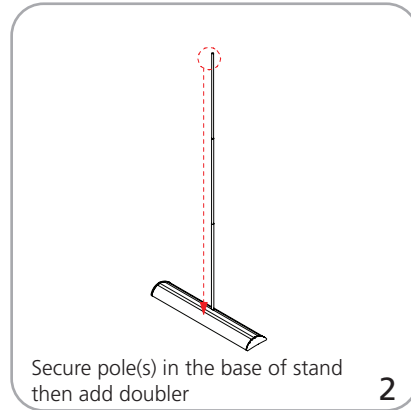


We are continually improving and modifying our product range and reserve the right to vary the specifications without prior notice. All dimensions and weights quoted are approximate and we accept no responsibility for variance. E&OE. See Graphic Templates for graphic bleed specifications.

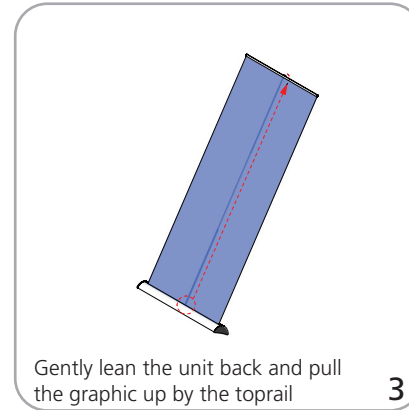
Set-up



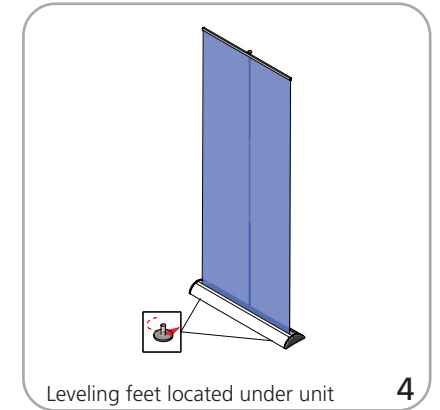
Twist telescopic pole to extend



Secure pole(s) in the base of stand then add doubler

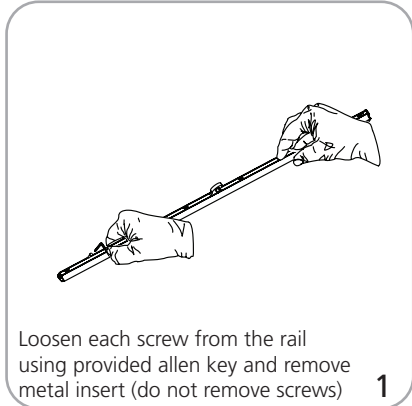


Gently lean the unit back and pull the graphic up by the top rail

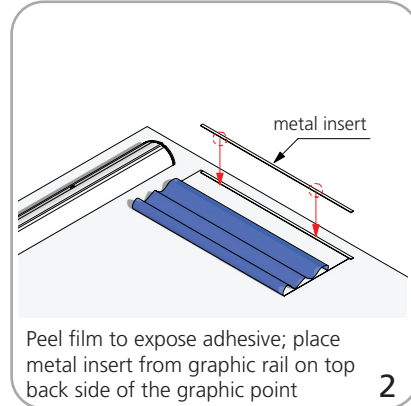


Leveling feet located under unit

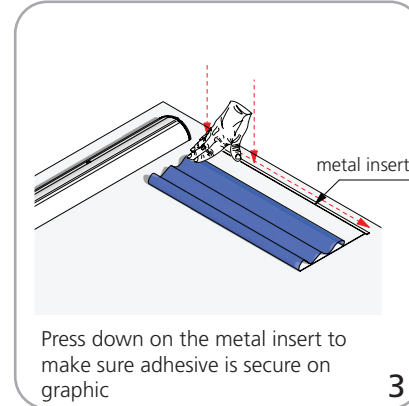
Graphic to top rail attachment (metal insert)



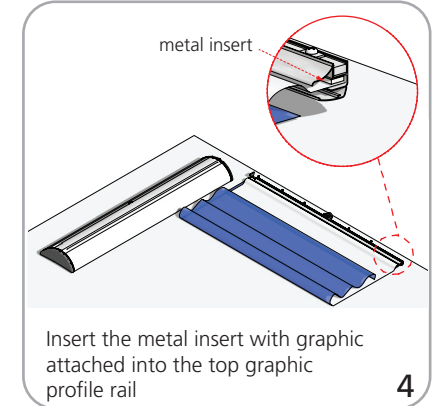
Loosen each screw from the rail using provided allen key and remove metal insert (do not remove screws)



Peel film to expose adhesive; place metal insert from graphic rail on top back side of the graphic point

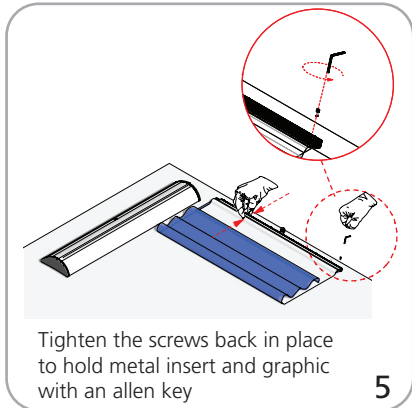


Press down on the metal insert to make sure adhesive is secure on graphic

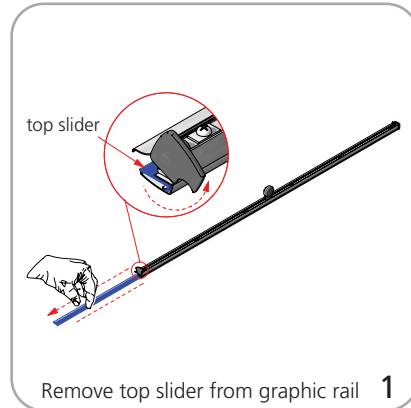


Insert the metal insert with graphic attached into the top graphic profile rail

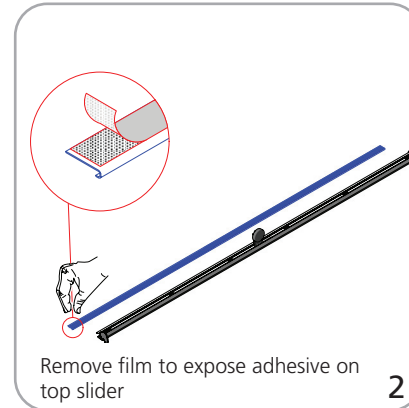
Quick slide top rail attachment (plastic insert)



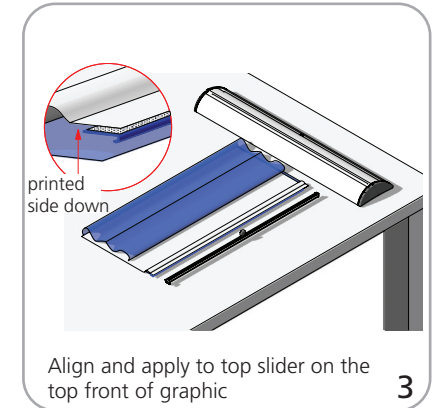
Tighten the screws back in place to hold metal insert and graphic with an allen key



Remove top slider from graphic rail

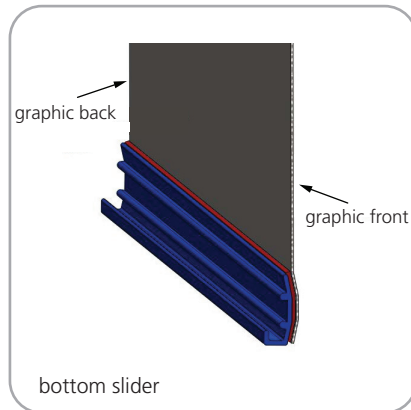
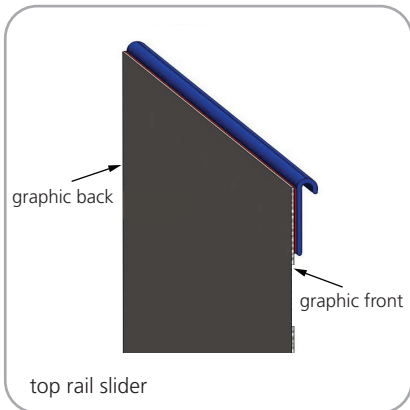
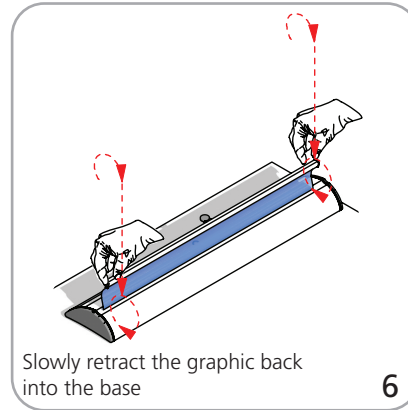
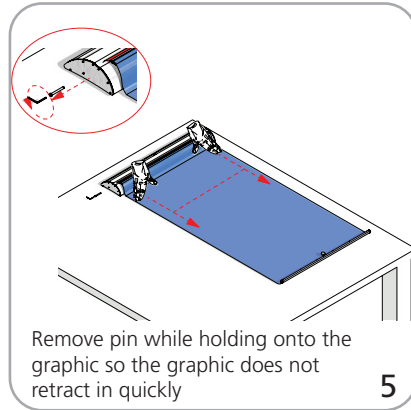
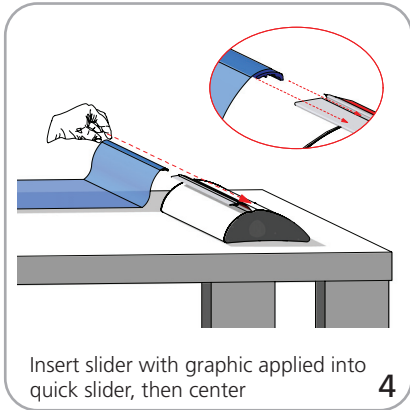
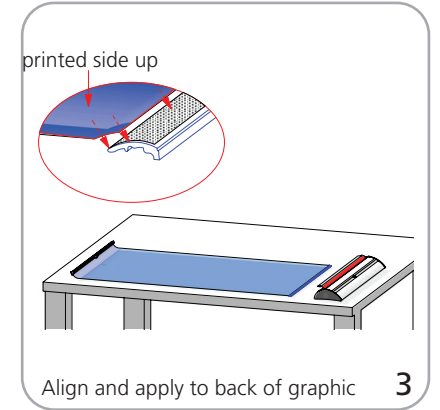
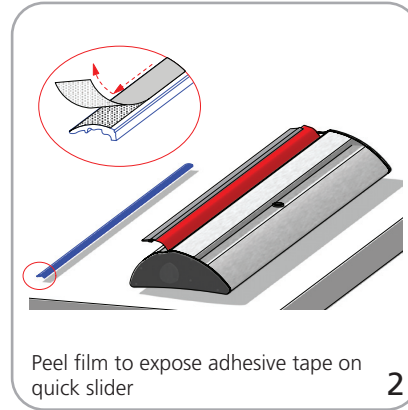
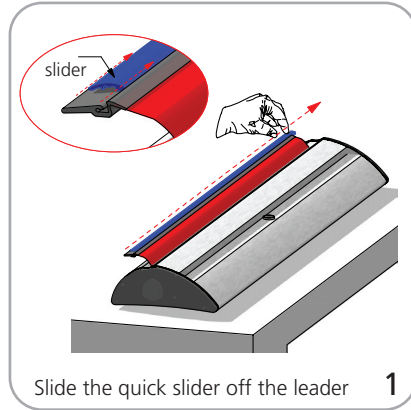
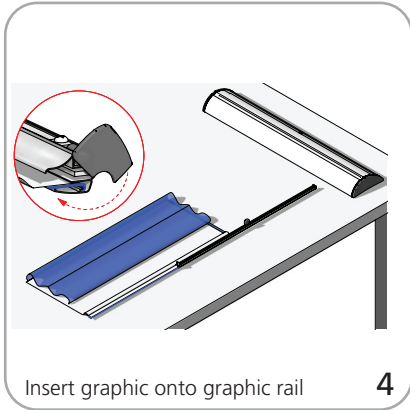


Remove film to expose adhesive on top slider



Align and apply to top slider on the top front of graphic

Quick slide base attachment



Check out these related products:



Orient



Orient 2



Advance



Imagine



Lumina 2



Excalibur