

Invisia™ Toilet Roll Holder

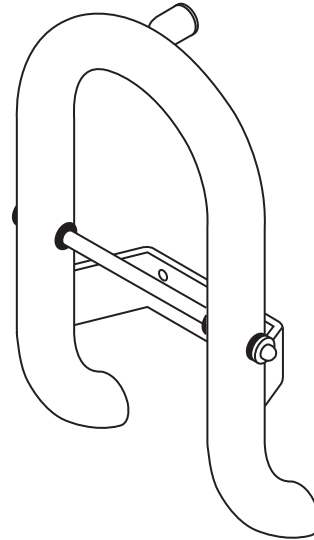
with Support Rail

INVISIA
LIVE BEAUTIFULLY

Technical Data Sheet

Product Specification

The product shall be a combination toilet roll holder and grab rail. The product shall be mounted to the wall using A discreet 0.125"/0.318cm thick plate and an additional contact point. The grab rail portion of the product shall be 1.25"/3.2 cm in diameter. The product shall be suitable for use in a wet environment. The product shall have a weight capacity in excess of 500lbs / 227kg. Product shall comply with ADAAG 4.26.3 specifying the structural strength of grab bars, tubs and shower seats. The grab rail shall be HealthCraft Products model INV-WTRH-____ (see table below for appropriate product code).



Key Features

- Elegant Design with Integrated Support
- Solid Construction and Mounting
- Discreet Wall Support
- Suitable For Use in a Wet Environment
- 500lbs / 227kg Weight Capacity

Codes and Standards

- ADA Compliant Rail Diameter
- ADA Compliant Structural Strength (ADAAG 4.26.3)

Specified Model

Model	Finish	Material
INV-WTRH-BS	Brushed	#304 Stainless Steel
INV-WTRH-CP	Polished Chrome	

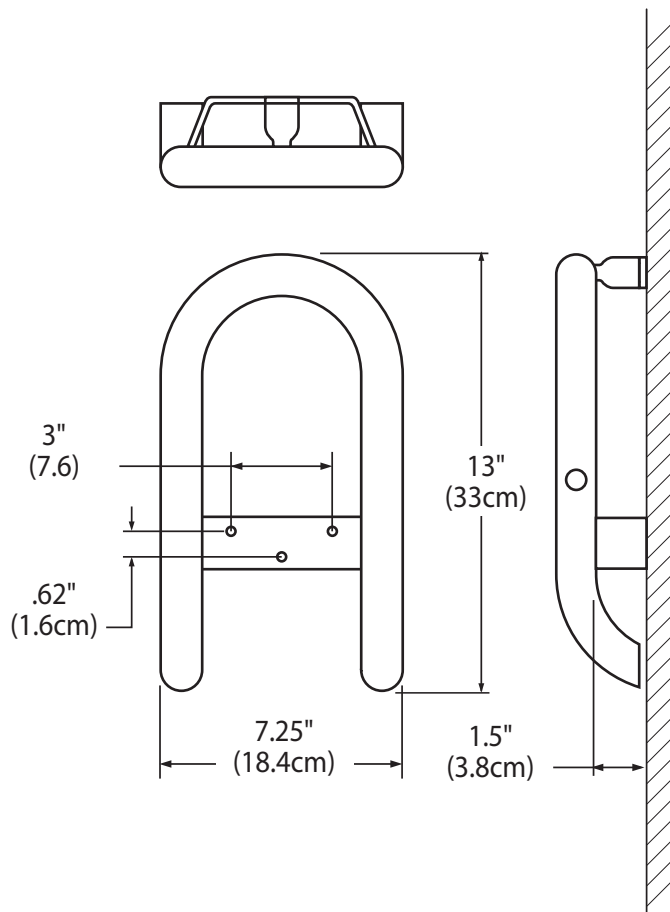
Invisia™ Toilet Roll Holder

with Support Rail

INVISIA
LIVE BEAUTIFULLY

Technical Data Sheet

Product Dimensions



Shipping Dimensions

Model	Height (H)	Width (W)	Depth (D)	Weight
WTRH	3.5" / 8.9cm	22.5" / 57.15cm	7.75" / 19.69cm	3lbs / 1.5kg

