
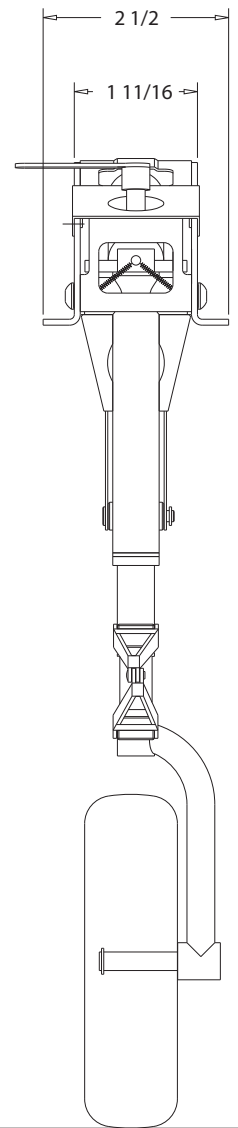
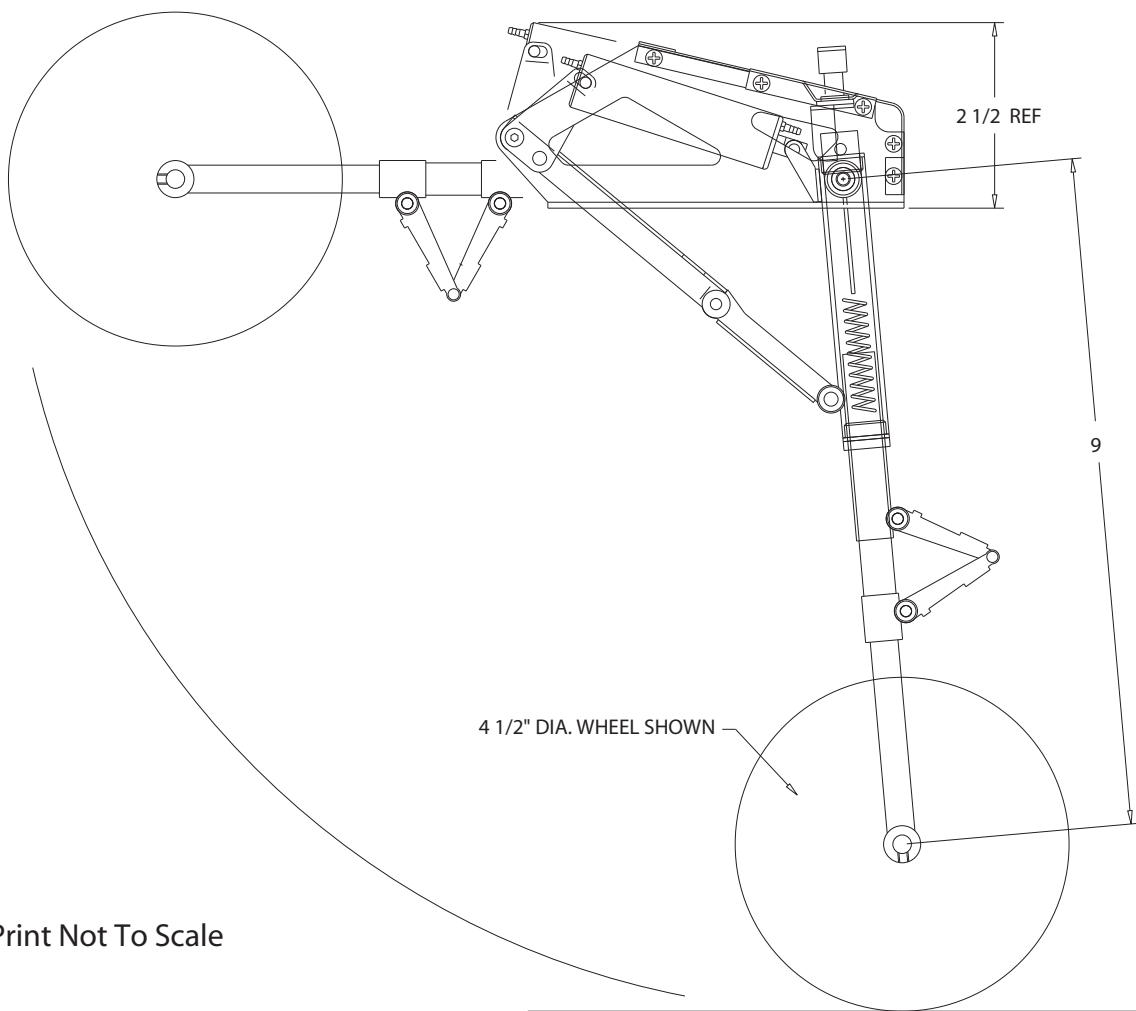
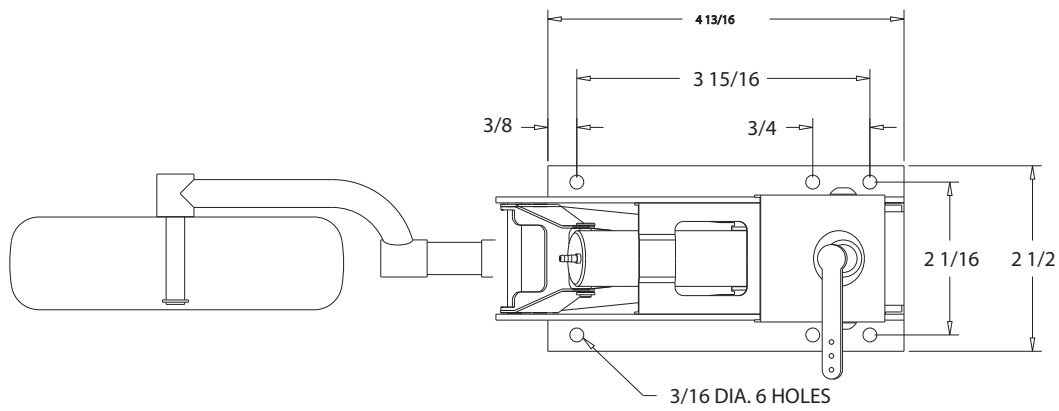


Print Not To Scale

# ZIROLI P-61 MAIN GEAR OPERATIONAL DETAILS

THIS DRAWING ITS CONTENTS AND INFORMATION, ARE CONFIDENTIAL, AND THE PROPERTY OF ROBERT MFG. INC. IT MAY NOT BE USED, COPIED, AND / OR TRANSMITTED TO ANY PERSON, FIRM, OR CORPORATION WITHOUT THE PRIOR WRITTEN APPROVAL OF ROBERT MFG. INC.

TOLERANCES (EXCEPT AS NOTED)	SCALE	1=1		MFG. INC. 625 N. 12th ST. ST. CHARLES IL.
ORIGINAL	Dr. BY	CMS		
FRACTIONAL	DATE	4/94	TITLE <b>ZIROLI P-61 MAIN GEAR OPERATIONAL DETAILS</b>	
	CHKD BY			
ANGULAR	APPD		DRAWING No.	REV.
			P61-000 MAIN	



Print Not To Scale

# ZIROLI P-61 NOSE GEAR OPERATIONAL DETAILS

THIS DRAWING ITS CONTENTS AND INFORMATION, ARE CONFIDENTIAL, AND THE PROPERTY OF ROBERT MFG. INC. IT MAY NOT BE USED, COPIED, AND / OR TRANSMITTED TO ANY PERSON, FIRM, OR CORPORATION WITHOUT THE PRIOR WRITTEN APPROVAL OF ROBERT MFG. INC.

<b>TOLERANCES</b> DECIMAL	<b>SCALE</b> 1=1	<b>robot</b> MFG. INC. 625 N. 12th ST. ST. CHARLES IL.
	<b>Dr. BY</b> CMS	
<b>FRACTIONAL</b>	<b>DATE</b> 4/94	<b>TITLE</b> ZIROLI P-61 NOSE GEAR OPERATIONAL DETAILS
<b>ANGULAR</b>	<b>CHKD BY</b> APPD	
	<b>DRAWING No.</b> P61-000 NOSE	<b>REV.</b> A