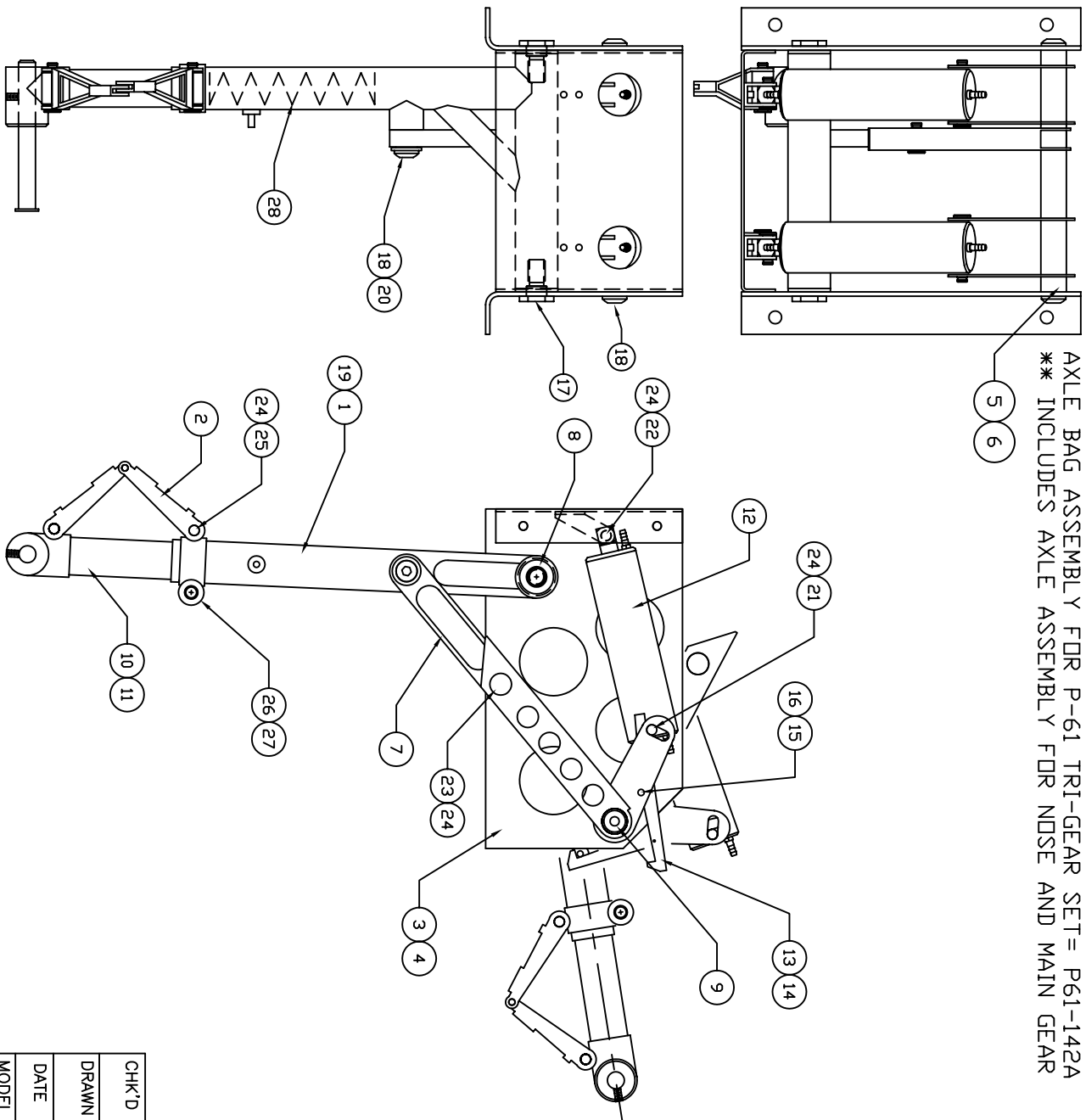


\*\* THIS IS YOUR SPARE PARTS LIST. SAVE FOR FUTURE REFERENCE, ORDER BY PART NUMBER. CURRENT PRICES WILL BE QUOTED.\*\*

AXLE BAG ASSEMBLY FOR P-61 TRI-GEAR SET= P61-142A  
 \*\* INCLUDES AXLE ASSEMBLY FOR NOSE AND MAIN GEAR



## SPARE PARTS LIST

QTY	ITEM	DESCRIPTION	ASS'Y/PART #
1	1	TRUNION ASSEMBLY	P61-103A
1	2	TORQUE LINK ASSEMBLY	150-107A
1	3	FRAME ASSEMBLY (RH)	P61-106A
1	4	FRAME ASSEMBLY (LH)	P61-107A
1	5	UPPER LIFT LINK (RH)	B25-109A
1	6	UPPER LIFT LINK (LH)	B25-110A
1	7	LOWER LIFT LINK	P61-010M
1	8	TRUNION SHAFT	P61-009M
1	9	LIFT LINK SHAFT	P61-005M
1	10	OLED RAM ASSEMBLY (LH)	P38-110A
1	11	OLED RAM ASSEMBLY (RH)	P38-111A
2	12	CYLINDER ASSEMBLY	150-108A
1	13	UP-LOCK ARM	P38-026M
1	14	SPRING	102-008M
1	15	SCREW #2-56	1023F
1	16	#2-56 STOP NUT	1053F
2	17	TRUNION BOLT	151-008M
3	18	LIFT LINK SHAFT SCREW	1021F
1	19	SPRING (FULL LENGTH)	151-019P
1	20	LOWER LINK WASHER	1075F
2	21	CYLINDER CLEVIS PIN	150-012M
1	22	RDD END CLEVIS PIN	150-018M
1	23	LIFT LINK CLEVIS PIN	P38-005M
7	24	RETAINING RING	1039F
2	25	CLEVIS PIN	150-002M
1	26	TORQUE LINK MOUNT (RH)	150-112A
1	27	TORQUE LINK MOUNT (LH)	150-113A
1	28	SPRING	151-019P

CHK'D BY  
 DRAWN BY J. REHAK  
 DATE 6-28-02  
 MODEL No. P-61



MFG. INC.  
 625 N. 12TH ST.  
 ST. CHARLES, IL  
 (630)584-7616

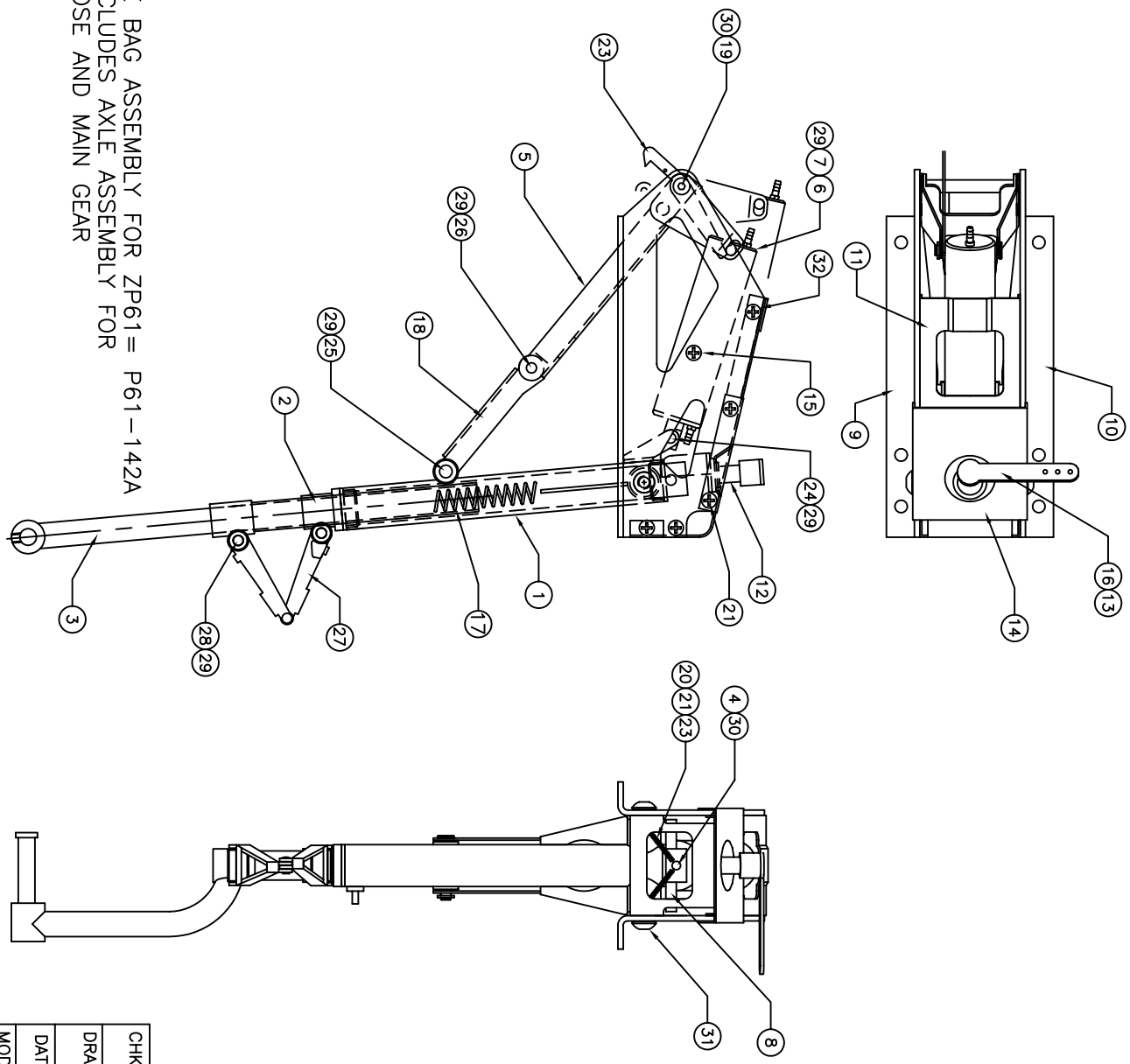
TITLE  
**BLACK WIDOW P-61**  
 MAIN GEAR

FACTORY REPAIR FEE= \$25.00 PLUS PARTS

\*\* THIS IS YOUR SPARE PARTS LIST. SAVE FOR FUTURE REFERENCE, ORDER BY PART NUMBER. CURRENT PRICES WILL BE QUOTED.\*\*

## SPARE PARTS LIST

QTY	ITEM	DESCRIPTION	ASSY/PART #
1	1	TRUNION ASSEMBLY	163-202A
1	2	ROTATING STRUT ASSEMBLY	P61-301A
1	3	OLEO RAM ASSEMBLY	P61-205A
1	4	ALUMINIUM SPACER TUBE- 0.220 LONG	102-009M
1	5	LIFT YOKE ASSEMBLY	150-105A
1	6	CYLINDER ASSEMBLY	150-108A
1	7	CYLINDER PIVOT PIN	150-012M
1	8	ROTATING SHAFT STEERING PIN	158-006M
1	9	SIDE FRAME (RH)	150-037M
1	10	SIDE FRAME (LH)	150-036M
1	11	PILOT SPACER BRACKET	150-038M
1	12	STEERING YOKE ASSEMBLY (MODIFIED)	158-106A
1	13	STEERING ARM ASSEMBLY	158-105A
1	14	STEERING BRACKET ASSEMBLY	158-104A
1	15	#4 x 3/8 PPHSMS	1012F
1	16	SET SCREW	1060F
1	17	SPRING 8 1/2"	150-019P
1	18	LIFT LINK	150-031M
1	19	LIFT YOKE PIVOT PIN	150-004M
2	20	SPRING- 3/8 LONG	158-001P
4	21	4-40 x 1/4 TYPE 23 TCS	1051F
2	22	2-56 x 1/4 SHCS ZINC	1083F
3	23	LATCH SPRING	102-008M
1	24	ACTUATOR PIVOT PIN	150-018M
1	25	LIFT LINK PIN	150-010M
2	26	YOKE PIVOT PIN	150-033M
1	27	TORQUE LINK ASSEMBLY	150-107A
2	28	TORQUE LINK PIN	150-002M
7	29	RETAINING RING	1039F
2	30	#6-32 x 1/4 B.H.C.S.	1022F
2	31	#10-32 x 1/4 B.H.C.S.	1021F
6	32	#4-40 x 1/4 PPHMS	1026F
1	33	2-56 x 1/2 SHCS ZINC	1055F



AXLE BAG ASSEMBLY FOR ZP61 = P61-142A  
 \*\*INCLUDES AXLE ASSEMBLY FOR  
 NOSE AND MAIN GEAR

FACTORY REPAIR FEE= \$25.00 PLUS PARTS

906-103M

CHK'D BY		MFG. INC.
DRAWN BY	J. REHAK	625 N. 12TH ST.
DATE	7-1-02	ST. CHARLES, IL
MODEL No.	P-61	(630)584-7616
TITLE		ZIRROLI P61 NOSE GEAR
		www.robart.com